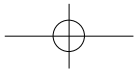
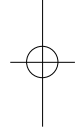
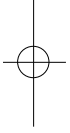


1100TRC Chimney Hood

User & Installation Instructions





Contents

User's Section	
Introduction	2
Parts Identification	3
Using the Hood	4
Care and Maintenance	5
Installation	6
Regulations and standards	6
Ventilation requirements & Mounting height	6
Method 1: Re-circulation	7
Method 2: Extraction through an outside wall	8
Wall fixing	9
Electrical connection	10
Frame mounting instructions	11
Technical Data	12
Customer Support	13

Please read this handbook carefully and keep it for future reference.

Introduction

Our policy is one of constant development and improvement. Strict accuracy of illustrations and specifications is not guaranteed. Modification to design and materials may be necessary subsequent to publication.

Before using the appliance for the first time, remove all packaging and protective polythene film.

Your first year Guarantee

To fulfil the conditions of your guarantee, this appliance must be correctly installed and operated, in accordance with these instructions, and only be used for normal domestic purposes. Please refer to your guarantee card for further details.

Please note that the guarantee, and Service availability, only apply to the UK and Republic of Ireland.

Installation

This appliance has been designed for use as an exhausting (air evacuation to the outside) or filtering (indoor air re-cycling) hood.

Note: This appliance may be supplied fitted with carbon filter(s), for use as a re-circulating hood. If you wish to install the hood for extraction through an outside wall, a compatible ducting kit should be obtained.

Because of the complexity and weight of the appliance, it is recommended that the installation be carried out by specialist personnel.

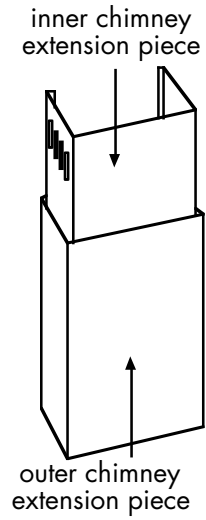
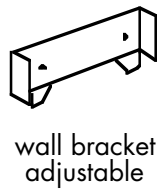
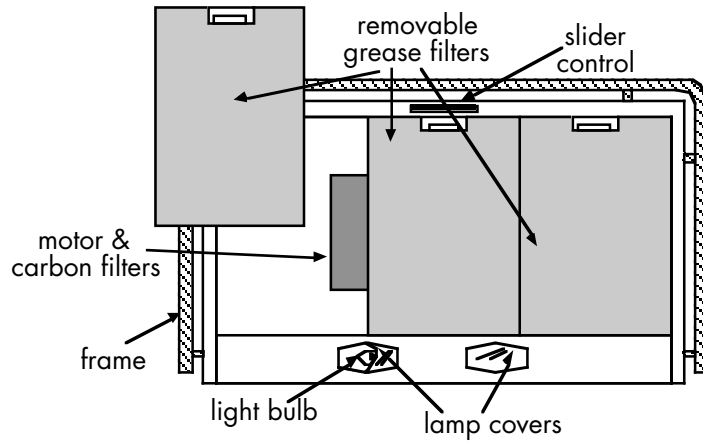
The manufacturer declines all responsibility for damage caused by improper or unworkmanlike installation.

Please read this handbook carefully and keep it for future reference.

Parts Identification

Figure 1:

Viewed from underneath



Using the Hood

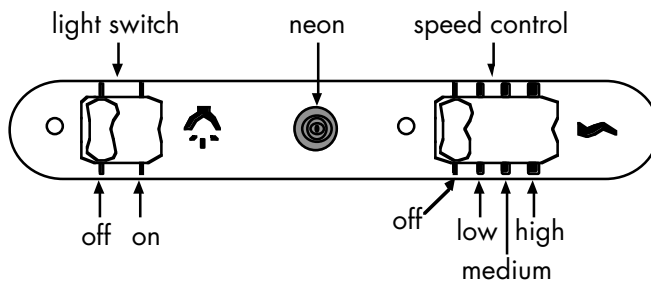


Figure 2: Slider controls.

Using the hood

To switch on the hood, slide the speed control to select: **low**, **medium**, or **high** speed.

The neon indicator light will light up to show when the fan is operating.

We recommend that you switch on the hood for a few minutes before you start cooking, and then leave it running for approximately 15 minutes afterwards to ensure that all odours are extracted.

To switch off, return the slider control to the "off" position.

To switch on the hood lamps

To illuminate the cooking area underneath the hood, slide the light control to the "on" position.

To switch off, return the control to the "off" position.

Important safety notes

- Keep hob rings covered with pans when switched on to avoid damaging the hood. The use of an unprotected flame can cause a fire hazard.
- *Do not* flambé food underneath the hood.
- When frying foods, take care to avoid cooking oil flares.
- Wash the grease filters regularly - refer to the cleaning section.
- *Do not* check filters while the hood is in use.
- *Do not* touch the lamps after prolonged use of the appliance.

Re-circulation method only:

- Keep the air ducting vents clear of obstruction.
- Change the carbon filters every 4 months.

Care & Maintenance

Before cleaning or maintenance, switch off the electricity supply.

Replacing a light bulb

1. Switch off the electricity supply.
2. Remove the grease filters from the hood.
3. Unscrew the bulb from the holder. Replacement bulbs can be obtained from your supplier or local hardware store.
4. Fit the new bulb, ensuring it is screwed securely into the holder.
5. Refit the grease filters.

To avoid any fire risk, the following cleaning instructions must be followed:

Grease filters

The grease filters absorb grease and dust from cooking fumes, which would otherwise damage the inside of the hood.

The grease filter should be removed and cleaned regularly - with normal use, this should be every 2 months.

Important: Frequent washing is essential to prevent a build up of grease in the filters which could become a fire hazard.

1. Remove the filters from the hood.
2. Carefully wash the grease filters in hot soapy water and dry with a clean towel.
3. Refit the clean filters.

Outer casing

All external parts of the outer casing and visor can be safely cleaned with a clean cloth wrung out in hot soapy water.

Do not use caustic pastes, abrasive cleaning powders, wire wool and hard implements, as they will damage the surfaces.

Carbon filters *(models installed for use with the re-circulation method only)*

The carbon filters absorb cooking odours and need renewing after about 4 months of normal use. A replacement carbon filter can be obtained from your supplier.

Saturation of the activated charcoal in the filter will depend on how often the hood is used, the type of kitchen and the regularity of cleaning the grease filter.

The carbon filters cannot be washed - renew every 4 months.

1. Remove the grease filters from the hood.
2. Release the old carbon filters by twisting them in either direction by a quarter turn (90°) until they disengage.
3. Fit the new carbon filters by engaging them onto the pegs in the centre of the fan grille and twisting by a quarter turn until they are gripped securely.
4. Refit the grease filters.

Installation

Regulations and standards

Before you start please read instructions carefully. All installations, service and repair work must be in accordance with local standards and regulations.

In the UK the regulations and standards are as follows:-

1. Building regulations.
2. The current I.E.E. wiring regulations.
3. Electricity at work regulations 1989.
4. Installation and servicing instructions for this appliance.

Ventilation

Adequate ventilation, in accordance with the Gas Safety Regulations 1996 (Installation and Use), and the relevant building regulations must be provided when the hood extracts air from a room with a flued gas burning appliance, which is not of the "balanced flue" type.

Mounting height

The cooker hood must be fitted at least 650 mm above a gas or electric hob. If cooker / hob instructions give a different figure to that given above, then the higher measurement should be followed.

To prevent possible hood cut-out, a clearance of 750 mm is recommended above gas hobs where possible.

Select method of operation

The cooker hood has two possible methods of operation:

Method 1: Re-circulation.

Installation with dual filtration to clean the air before it is re-circulated into the room.

Method 2: Extraction through an outside wall.

The hood can be installed with a duct to extract cooking fumes through an outside wall.

Dimensions

Please note that all dimensions and sizes are nominal, some variation is to be expected.

Installation

Method 1: Re-circulation (dual filtration)

The fan draws cooking fumes through the washable grease filters into the underside of the hood, then through the carbon filter, to remove odours before returning clean air to the kitchen via the air ducting vents.

If a cooker hood and any non electrically powered appliances extract fumes at the same time, then the room must be suitably ventilated.

When selecting the best position for the hood, ensure that air flow from the air ducting vents is not obstructed by cupboards, shelves, etc.

Do not vent into enclosed cupboard space.

Assembly

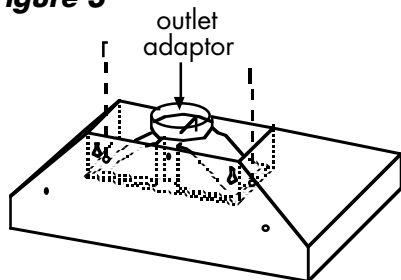
1. Remove the grease filters.
2. Fit the carbon filter (if supplied - may be packed separately) by engaging it onto the peg in the centre of the fan grille and twisting in either direction by a quarter turn (90°) until it is gripped securely.
3. Discard the outlet adaptor as it is not required when installing the cooker hood as a re-circulation filter.

Installation

Method 2: Extraction through an outside wall

The fan draws cooking fumes through the washable grease filter into the underside of the hood, then the fumes are expelled through a duct or directly through an outside wall.

Figure 3



Assembly

1. Remove the grease filters.
2. Remove the carbon filter (if supplied) and discard, as this is not required when installing the cooker hood as an extractor fan.
3. Connect the discharging pipe to the ducting outlet adaptor, and route the pipe through a 130 mm hole in the rear wall.

Wall vent kit and ducting

- For connecting the hood outlet adaptor to the outside wall, we recommend that a wall vent kit is purchased from your supplier or local hardware store.
- Use a 125 mm diameter ducting kit and connect to the ducting outlet adaptor.
- Horizontal duct runs should be avoided. A slope of 5° or more upwards from the hood to the wall outlet will assist the flow of air.
- The ducting pipe and any connecting pieces should be coupled to the preceding piece by pushing into and never over it - the upper part must be fitted over the lower part.
- The outlet from the hood must not be ducted into a wall cavity, through a ventilator shaft or through a chimney. It must not be ducted through a flue used by a non-electrically powered appliance.
- Adequate ventilation must be provided if a cooker hood extracts fumes from the room at the same time as an appliance powered by a fuel other than electricity (such as a gas appliance) is operated. The extractor hood removes air from the room which the burner is dependant on for combustion.

Installation

Wall fixing (figures 2,3,4)

- Drill the holes A, as per the dimensions in fig 2.
- Using the screws and dowels supplied with the appliance, fasten the wall bracket to the wall.
- Ensure that they are suitable for the type of wall where the cooker hood is to be mounted.
- Locate and fasten the hood to the wall. Secure the body of the hood as shown in fig 4.
- Secure the top junction piece to the wall bracket through the side holes using the screws provided see fig 3.

Securing the telescopic flue.

- Make sure the power cables are inside the decorative flue to conceal them.
- Make sure there is an exhaust opening prepared.
- Adjust the width of the support bracket (fig 3), then fix it into the ceiling using the screws shown in fig 3 - A. This should be as shown in fig 2.
- Connect the flange as per fig 4. Then insert the two pieces of the flue.
- In some cases it may be necessary to adjust the length of one or both of the chimney sections. Cut the bottom of each section so that the cut is hidden using suitable cutting implements. Please take care not to obstruct the ducting vents.

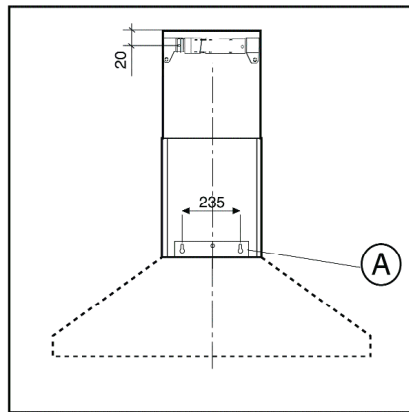


Fig.2

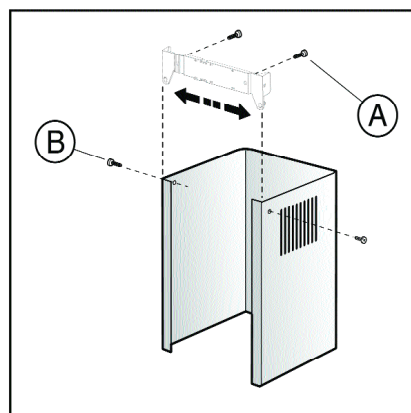


Fig.3

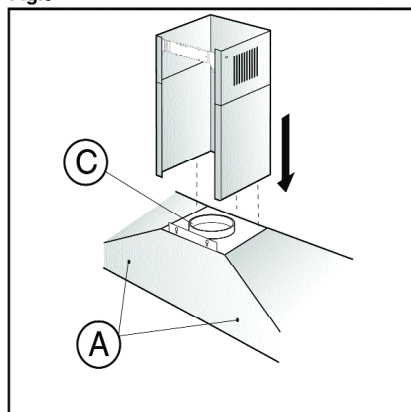


Fig.4

Installation

Electrical connection

This appliance is double insulated for safety and therefore does not require an earth connection to the mains inlet.

The wires in the mains lead are coloured in accordance with the following code:

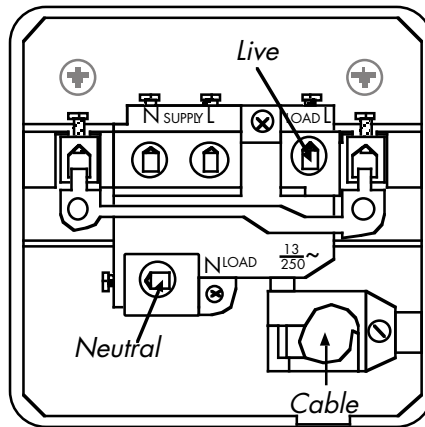
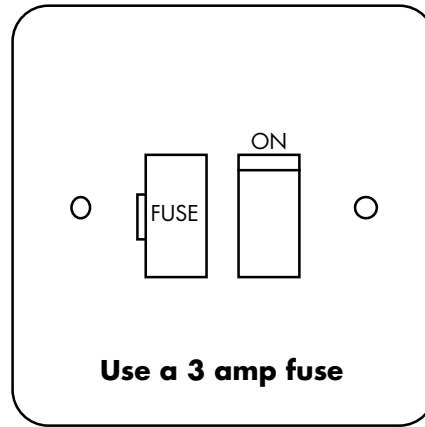
Blue = neutral, Brown = live.

As the colours of the wires in the mains lead for the appliance may not correspond with the coloured markings identifying the terminals in your spur box, proceed as follows:

1. The wire which is coloured blue must be connected to the terminal marked **N** (neutral) LOAD, or coloured black.
2. The wire which is coloured brown must be connected to the terminal marked **L** (live) LOAD, or coloured red.

The fused spur socket should be positioned where it is easily accessible so you can switch off the supply to the hood when renewing the light bulb.

Figure 6: Typical example of a double pole fused spur outlet.



Installation

Frame mounting instructions

The frame is packed separately within the cooker hood box.

1. Front frame assembly

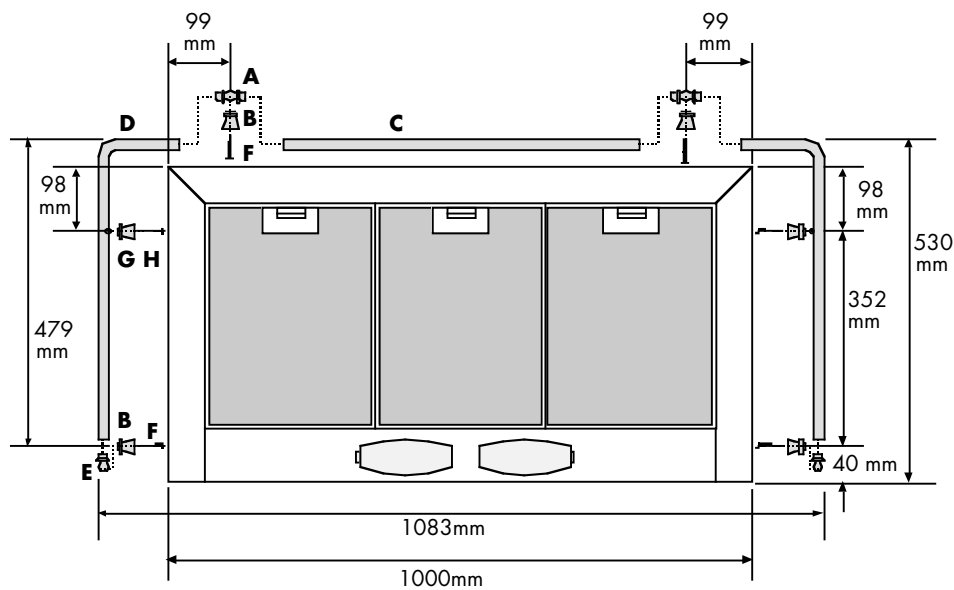
- Remove the grease filter panels.
- From inside the hood, pass screw F through the specific hole.
- Fit part B onto the screw. Screw A onto B.
- Connect bar C onto A.
- At the other end of bar C, connect C to A before fixing A to B.

2. Side frame assembly

- Connect the endcap E to the side bar D.
- From inside the hood, pass screw F through the specific hole.
- Fit part B onto screw F. Screw E onto B.
- From inside the hood, pass screw H through the hole and attach part G.
- Screw part G into sidebar D.
- Repeat on other side.

Re-fit the 3 grease filter panels.

Figure 7



Technical Data

Electricity supply

230 - 240V ~ 50Hz

Classification

class II metal encased

Noise level

Maximum 56 dBA

Light bulbs

2 x 40 W, candle lamp, small edison screw fitting.

Note: If the hood is to be used for display purposes only, we recommend the use of 25 W lamps.

Carbon filters

x 2 available as spares

Grease filters

x 3 metal filters

Motor rating

1 x 250 W

Extraction Rate (External)

Position 3	440m ³ /H
Position 2	378m ³ /H
Position 1	303m ³ /H

Extraction Rate (Internal)

Position 3	301m ³ /H
Position 2	259m ³ /H
Position 1	227m ³ /H

Noise level (External Venting)

Position 3	56 dBA
Position 2	51 dBA
Position 1	48 dBA

Noise Level (Internal Venting)

Position 3	59 dBA
Position 2	56 dBA
Position 1	53 dBA

Conforms with the EMC Directive 2004/108/EC.

Customer Support

In case of difficulty please call our Customer Support Helpline on

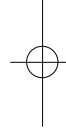
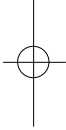
0844 815 3740

When you dial this number you will hear a ringing tone. This indicates that your call has been accepted and is being held in a queue. Calls are answered in strict rotation as our Customer Support Representatives become available.

Enter appliance numbers here for future reference:

Model No									
Serial No									

Please ensure you have the above details (Model No and Serial No) to hand when calling Customer Support - they are essential to booking your call.



STOVES
STONEY LANE, PRESCOT, MERSEYSIDE, L35 2XW
08 27123 01 © 05.2005

