

# **S1100 Professional**

## **Cooker Hood**

User & Installation Instructions





# Contents

---

<b>User's Section</b> . . . . .	<b>2</b>
Introduction . . . . .	2
Using the Hood . . . . .	3
Care and Maintenance . . . . .	4
<b>Installation</b> . . . . .	<b>6</b>
Regulations and standards . . . . .	6
Ventilation requirements . . . . .	6
Mounting height . . . . .	6
Wall fixing . . . . .	7
Method 1: Re-circulation . . . . .	9
Method 2: Extraction through an outside wall . . . . .	10
Electrical connection . . . . .	11
<b>Technical Data</b> . . . . .	<b>12</b>
<b>Customer Support</b> . . . . .	<b>13</b>

*Please read this handbook carefully and keep it for future reference.*

# Introduction

---

Thank you for buying this high quality hood from Stoves, we hope it makes and attractive and useful addition to your kitchen.

Our policy is one of constant development and improvement. Strict accuracy of illustrations and specifications is not guaranteed. Modification to design and materials may be necessary subsequent to publication.

Before using the appliance for the first time, remove all packaging and protective polythene film.

## **Your first year Guarantee**

To fulfil the conditions of your guarantee, this appliance must be correctly installed and operated, in accordance with these instructions, and only be used for normal domestic purposes. Please refer to your guarantee card for further details.

Please note that the guarantee, and Service availability, only apply to the UK and Republic of Ireland.

## **Installation**

This appliance has been designed for use as an exhausting (air evacuation to the outside) or filtering (indoor air re-cycling) hood.

*Note:* This appliance does not come supplied with a ducting kit, or carbon filters. Details for ordering these parts are at the back of the handbook.

Because of the complexity and weight of the appliance, it is recommended that the installation be carried out by specialist personnel.

The manufacturer declines all responsibility for damage caused by improper or unworkmanlike installation.

*Please read this handbook carefully and keep it for future reference.*

# Using the Hood

**Figure 1**



**Figure 1:** hood controls:

The controls work as follows:

A - Neon light

B - Off

C - Position 1

D - Position 2

E - Position 3

F - Automatic stop timer

## Booster function

This hood also has a booster function. To activate the booster, press button E while the hood is in use and it will increase speed for 20 seconds, before slowing down again.

We recommend that you switch on the hood for a few minutes before you start cooking, and then leave it running for approximately 15 minutes afterwards to ensure that all odours are extracted.

The appliance is not to be used by children or persons with reduced physical, sensory or mental capabilities, or lack of experience and knowledge, unless they have been given supervision or instruction.

**WARNING** - Accessible parts may become hot when used with cooking appliances.

To illuminate the cooking area underneath the hood, push the light control button in to the “on” position. To *switch off*, press again to return to the “off” position.

To operate the hood, press the button for the required speed - select: **1** low, **2** medium, or **3** high speed. The neon indicator light will light up to show when the fan is operating. To *switch off*, press the “off” button.

## Important safety notes

- Keep hob rings covered with pans when switched on to avoid damaging the hood. The use of an unprotected flame can cause a fire hazard.
- Do not flambé food underneath the hood.
- When frying foods, take care to avoid cooking oil flares.
- Wash the grease filters regularly - refer to the cleaning section.
- Do not check filters while the hood is in use.
- Do not touch the lamps after prolonged use of the appliance.

## Re-circulation method only:

- Keep the air ducting vents clear of obstruction.
- Change the carbon filters every 4 months.

## Care & Cleaning

---

**Before cleaning or maintenance, switch off the electricity supply.**

### **Replacing a light bulb**

1. Switch off the electricity supply.
2. Remove the lamp cover by turning it anticlockwise.
3. Remove the light bulb - by moving it in the direction of the arrow.
4. Replace it with a new halogen light bulb (taking care to avoid skin contact with the bulb glass).
5. Replace the lamp cover, turning clockwise to secure.

### **Outer casing**

All external parts of the outer casing can be safely cleaned with a clean cloth wrung out in hot soapy water.

Do not use caustic pastes, abrasive cleaning powders, wire wool, hard implements, or any products containing chlorides as they will damage the surfaces.

Stubborn marks can be removed using a stainless steel cleaner. We recommend that you clean the whole of the stainless steel area to maintain a uniform finish.

Sharp objects can mark the surface of stainless steel, but marks will become less noticeable with time.

To maintain the finish of the stainless steel, or to remove any greasy marks, wipe the stainless steel surface sparingly with a minimum amount of Baby Oil and kitchen paper.

Do not use cooking oils, as these may contain salt, which can damage the stainless steel surface.

## Care & Cleaning

---

**Before cleaning or maintenance, switch off the electricity supply.**

To avoid any fire risk, the following cleaning instructions must be followed:

### Grease filters

The grease filters absorb grease and dust from cooking fumes, which would otherwise damage the inside of the hood.

The grease filters should be removed and cleaned regularly - with normal use, this should be every 2 months. To clean use warm soapy water, or wash in a dishwasher. The grease filters may slightly change colour following washing, however this does not affect their performance.

**Important:** Frequent washing is essential to prevent a build up of grease in the filters which could become a fire hazard.

1. Remove the filters from the hood.
2. Carefully wash the grease filters in hot soapy water and dry with a clean towel.
3. Refit the clean filters.

**Carbon filters** (*models installed for use with the re-circulation method only*)

The carbon filters absorb cooking odours and need renewing after about 4 months of normal use. Replacement carbon filters can be obtained from your supplier.

Saturation of the activated charcoal in the filter will depend on how often the hood is used, the type of kitchen and the regularity of cleaning the grease filter.

**The carbon filters cannot be washed - renew every 4 months.**

1. Remove the grease filters from the hood.
2. Remove the old carbon filter pressing in the release catch on the right hand side of the filter, pull the filter out.
3. Fit the new carbon filter by engaging it into the slots below the motor, push in firmly .
4. Refit the grease filters.



carbon filters

# Installation

---

## Regulations and standards

Before you start please read instructions carefully. All installations, service and repair work must be in accordance with local standards and regulations.

In the UK the regulations and standards are as follows:-

1. Building regulations.
2. The current I.E.E. wiring regulations.
3. Electricity at work regulations 1989.
4. Installation and servicing instructions for this appliance.

## Ventilation

Adequate ventilation, in accordance with the Gas Safety Regulations 1996 (Installation and Use), and the relevant building regulations must be provided when the hood extracts air from a room with a flued gas burning appliance, which is not of the "balanced flue" type.

## Mounting height

The cooker hood must be fitted at least 650 mm above a gas or electric hob. If cooker / hob instructions give a different figure to that given above, then the higher measurement should be followed.

To prevent possible hood cut-out, a clearance of 750 mm is recommended above gas hobs where possible.

## Select method of operation

The cooker hood has two possible methods of operation:

### **Method 1:** *Re-circulation.*

Installation with dual filtration to clean the air before it is re-circulated into the room.

### **Method 2:** *Extraction through an outside wall.*

The hood can be installed with a duct to extract cooking fumes through an outside wall.

Please ensure you order the correct parts for the operation you wish to use.

## Dimensions

Please note that all dimensions and sizes are nominal, some variation is to be expected.



# Installation

## Wall fixing (fig 2,3 & 5)

1. Using the screws provided, fit the two wall brackets to the support bracket so that the distance between the outer edges of the 2 wall brackets is the same as the width of the upper link section.
2. Drill holes **A** (fig 2) for fixing hood and wall bracket to wall.
3. Use screws and screw anchors suitable for the type of wall (eg; concrete, plasterboard, etc). Fasten wall brackets to the wall. Hang the hood on the wall using holes **A** fig 5.
4. Complete fastening the hood to the wall using holes **B** & **D**.

### Securing the telescopic flue.

- Make sure the the power cables are inside the decorative flue to conceal them.
- Make sure there is an exhaust opening prepared.
- Adjust the width of the support bracket (fig 3), then fix it into the ceiling using the screws shown in fig 3 - **A**. This should be as shown in fig 3.
- In some cases it may be necessary to adjust the length of one or both of the chimney sections. Cut the bottom of each section so that the cut is hidden using suitable cutting implements. Please take care not to obstruct the ducting vents.

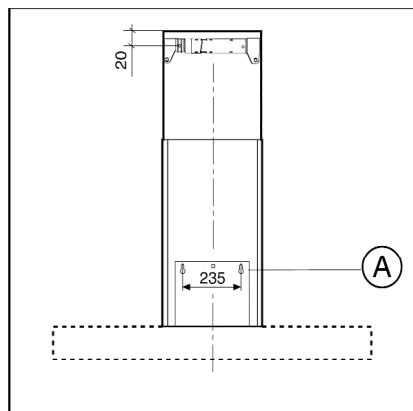


Fig.2

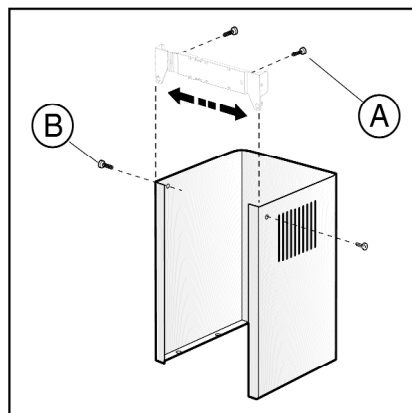


Fig.3

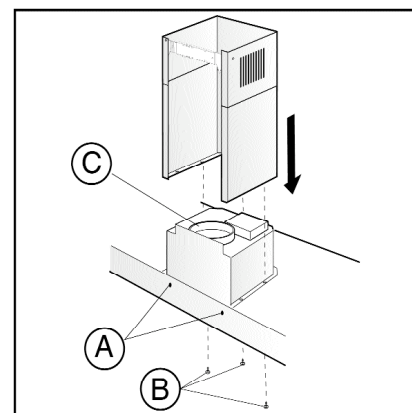
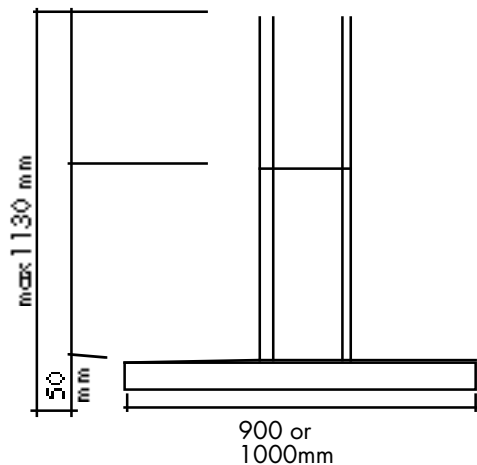


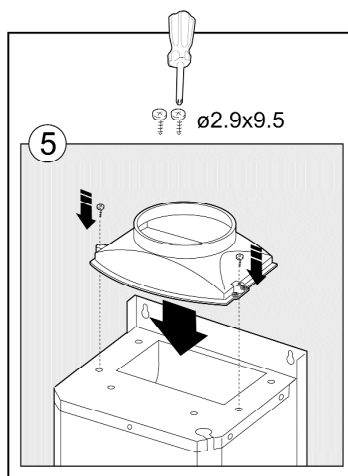
Fig.5

# Installation

**Figure 4**



**Figure 5**



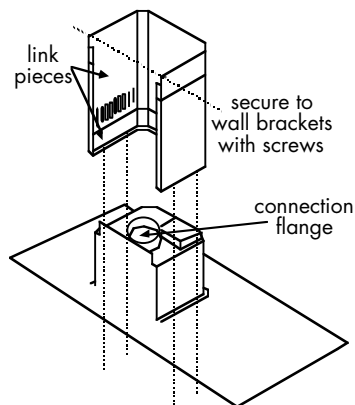
Please note: Dimensions are nominal and shown here as maximums.

Body of hood dimensions:  
900 Professional  
900mm x 520mm x 50mm  
in W x D x H

1000 Professional  
1100mm x 520mm x 50mm  
in W x D x H

Chimney height (inc. hood body)  
285mm x 256mm x 665 - 1130mm  
in W x D x H

**Figure 6**



# Installation

---

## **Method 1: Re-circulation (dual filtration)**

The fan draws cooking fumes through the washable grease filters into the underside of the hood, then through the carbon filters, to remove odours before returning clean air to the kitchen via the air ducting vents.

When selecting the best position for the hood, ensure that air flow from the air ducting vents is not obstructed by cupboards, shelves, etc.

Do not vent into enclosed cupboard space. See figures 5 & 6.

## **Assembly**

1. Remove the grease filters.
2. Fit the new carbon filter (if supplied - may be packed separately) by engaging it into the slots below the motor, push in firmly.
3. Fit and secure the air-flow diverter to the support bracket using the screws provided.
4. Insert the clip-in flange onto the air-flow diverter.
5. Using a 120 mm internal diameter link pipe, attach the connection flange to the clip-in flange.
6. Insert the upper link section inside the lower link section with the slots turned upwards.
7. Secure the lower link section to the hood using the screws provided.
8. Move the upper link section down as far as the wall brackets and secure.
9. Air re-circulates into the room through the slots in the upper link section. Take care to ensure that these side air ducting vents are not blocked or obstructed.

# Installation

---

## Method 2: Extraction through an outside wall

The fan draws cooking fumes through the washable grease filter into the underside of the hood, then the fumes are expelled through a duct or directly through an outside wall.

Refer to figures 5 & 6.

## Assembly

1. Remove the grease filters.
2. Remove the carbon filters (if supplied) and discard, as this is not required when installing the cooker hood as an extractor fan.
3. Secure the connection flange.
4. Using a 120 mm internal diameter link pipe, attach connection flange to the outside vent.
5. Insert the upper link section inside the lower link section with the slots turned downwards.
6. Secure the lower link section to the hood using the screws provided.
7. Move the upper link section down as far as the wall brackets and secure with the screws provided.

## Wall vent kit and ducting

- For connecting the hood outlet adaptor to the outside wall, we recommend that a wall vent kit is purchased from your supplier or local hardware store.
- Use a 125 mm diameter ducting kit and connect to the ducting outlet adaptor.
- Horizontal duct runs should be avoided. A slope of 5° or more upwards from the hood to the wall outlet will assist the flow of air.
- The ducting pipe and any connecting pieces should be coupled to the preceding piece by pushing into and never over it - the upper part must be fitted over the lower part.
- The outlet from the hood must not be ducted into a wall cavity, through a ventilator shaft or through a chimney. It must not be ducted through a flue used by a non-electrically powered appliance.
- Adequate ventilation must be provided if a cooker hood extracts fumes from the room at the same time as an appliance powered by a fuel other than electricity (such as a gas appliance) is operated. The extractor hood removes air from the room which the burner is dependant on for combustion.

# Installation

## Electrical connection

This appliance is double insulated for safety and therefore does not require an earth connection to the mains inlet.

The wires in the mains lead are coloured in accordance with the following code:

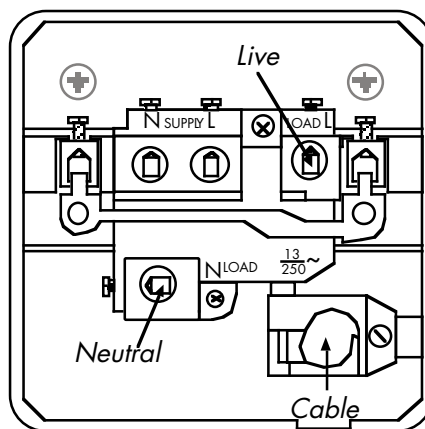
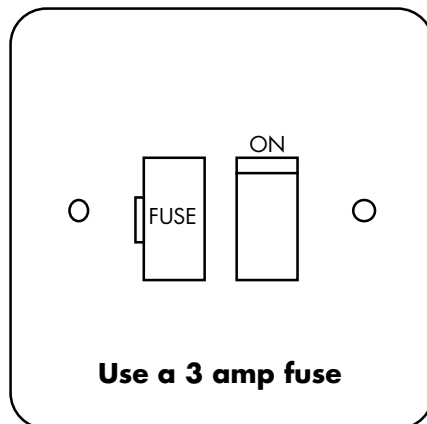
Blue = neutral, Brown = live.

As the colours of the wires in the mains lead for the appliance may not correspond with the coloured markings identifying the terminals in your spur box, proceed as follows:

1. The wire which is coloured blue must be connected to the terminal marked **N** (neutral) LOAD, or coloured black.
2. The wire which is coloured brown must be connected to the terminal marked **L** (live) LOAD, or coloured red.

The fused spur socket should be positioned where it is easily accessible so you can switch off the supply to the hood when renewing the light bulb.

**Figure 7:** Typical example of a double pole fused spur outlet.



# Technical Data

---

## Electricity supply

230 - 240V ~ 50Hz

## Classification

class II metal encased

## Noise level (External Venting)

Position 4 (booster)	55 dBA
Position 3	51 dBA
Position 2	43 dBA
Position 1	41 dBA

## Noise Level (Internal Venting)

Position 4 (booster)	56 dBA
Position 3	53 dBA
Position 2	44 dBA
Position 1	34 dBA

## Light bulbs

2 x 20W halogen

Please make sure you follow the instructions for replacing light bulbs carefully and always make sure you use the correct bulb type.

## Motor rating

250W

## Carbon filters

x 2 - available as Spares

## Grease filters

x 3 aluminium panel

Note:

After cleaning, grease filters may lose their colour slightly - this does not affect their performance.

## Extraction Rate (External)

Position 4 (booster)	650m <sup>3</sup> /H
Position 3	564m <sup>3</sup> /H
Position 2	408m <sup>3</sup> /H
Position 1	253m <sup>3</sup> /H

## Extraction Rate (Internal)

Position 4 (booster)	554m <sup>3</sup> /H
Position 3	490m <sup>3</sup> /H
Position 2	356m <sup>3</sup> /H
Position 1	225m <sup>3</sup> /H

## Customer Support

---

In case of difficulty please call our Customer Support Helpline on

**0844 815 3740**

When you dial this number you will hear a ringing tone. This indicates that your call has been accepted and is being held in a queue. Calls are answered in strict rotation as our Customer Support Representatives become available.

Enter appliance numbers here for future reference:

Model No							
Serial No							

Please ensure you have the above details (Model No and Serial No) to hand when calling Customer Support - they are essential to booking your call.

Spare Parts available for this product:

Carbon filters: 082612620

1 metre ducting kit: 082611309

3 metre ducting kit: 082611310

STONEY LANE, PRESCOT, MERSEYSIDE, L35 2XW

08 27234 01 © 09.2011

3LIK1005

Tecnowide C3