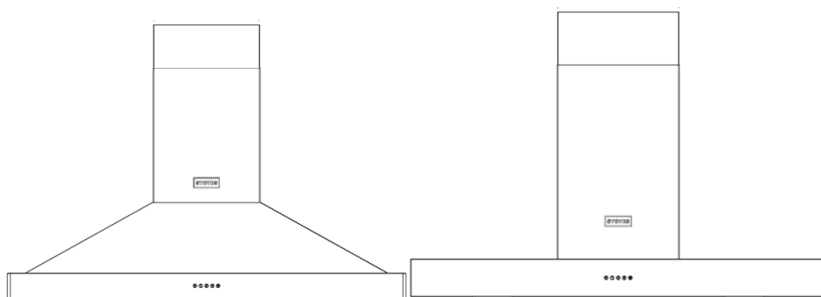


STOVES

Stoves Cooker Hood User Manual



Contents

Introduction	3
Using the Hood	4
Care and Maintenance	5
Installation	6
Prepare for installation:.. . . .	6
Installation (Vent outside)	7
Installation (Vent inside).	11
Technical Data	13
Stoves Customer Care.	14

Please read this handbook carefully and keep it for future reference.

Introduction

Thank you for buying this high quality hood from Stoves, we hope it makes an attractive and useful addition to your kitchen.

Our policy is one of constant development and improvement. Strict accuracy of illustrations and specifications is not guaranteed. Modification to design and materials may be necessary subsequent to publication.

Before using the appliance for the first time, remove all packaging and protective polythene film.

Your first year Guarantee

To fulfil the conditions of your guarantee, this appliance must be correctly installed and operated, in accordance with these instructions, and only be used for normal domestic purposes.

Please refer to your guarantee card for further details.

Please note that the guarantee, and Service availability, only apply to the UK and Republic of Ireland.

Installation

This appliance has been designed for use as an exhausting (air evacuation to the outside) or filtering (indoor air re-cycling) hood.

Note: This appliance does not come supplied with a ducting kit, or carbon filters. Details for ordering these parts are at the back of the handbook.


Because of the complexity and weight of the appliance, it is recommended that the installation be carried out by specialist personnel.

The manufacturer declines all responsibility for damage caused by improper or installation.


Please read this handbook carefully and keep it for future reference..


Using the Hood




 **Lamp** – Turn on/off light

Speed –select speed to suit cooking conditions

 Low – light frying/boiling. Depress this button to enter into low speed and again to turn off motor.

 Medium – frying/wok cooking/heavy boiling. Depress this button to enter into medium speed and again to turn off motor

 High – grilling, intensive frying and wok cooking. Depress this button to enter into high speed and again to turn off motor

B Booster - Depress this button to enter into highest speed and again to turn off motor.

Booster function

This hood also has a booster function. To activate the booster, press button B while the hood is in use and it will increase speed for 15 minutes, before slowing down again.

We recommend that you switch on the hood for a few minutes before you start cooking, and then leave it running for approximately 15 minutes afterwards to ensure that all odours are extracted. The appliance is not to be used by children or persons with reduced physical,

sensory or mental capabilities, or lack of experience and knowledge, unless they have been given supervision or instruction.

WARNING - Accessible parts may become hot when used with cooking appliances. To illuminate the cooking area underneath the hood, push the light control button in to the "on" position. *To switch off*, press again to return to the "off" position.

To operate the hood, press the button for the required speed - select: **1** low, **2** medium, or **3** high speed. The neon indicator light will light up to show when the fan is operating. *To switch off*, press the "off" button.

Important safety notes

- Keep hob rings covered with pans when switched on to avoid damaging the hood. The use of an unprotected flame can cause a fire hazard.
 - *Do not* flambé food underneath the hood.
 - When frying foods, take care to avoid cooking oil flares.
 - Wash the grease filters regularly - refer to the cleaning section.
 - *Do not* check filters while the hood is in use.
 - *Do not* touch the lamps after prolonged use of the appliance.
- Re-circulation method only:**
- Keep the air ducting vents clear of obstruction.
 - Change the carbon filters every 4 months.

Care & Cleaning

Before cleaning or maintenance, switch off the electricity supply.

Replacing a light bulb

1. Switch the unit off and unplug the appliance.
2. Pat the bulb down and replace the bulb.

Outer casing

All external parts of the outer casing can be safely cleaned with a clean cloth wrung out in hot soapy water.

Do not use caustic pastes, abrasive cleaning powders, wire wool, hard implements, or any products containing chlorides as they will damage the surfaces.

Stubborn marks can be removed using a stainless steel cleaner. We recommend that you clean the whole of the stainless steel area to maintain a uniform finish.

Sharp objects can mark the surface of stainless steel, but marks will become less noticeable with time.

To maintain the finish of the stainless steel, or to remove any greasy marks, wipe the stainless steel surface sparingly with a *minimum* amount of Baby Oil and kitchen paper.

Do not use cooking oils, as these may contain salt, which can damage the stainless steel surface.

Before cleaning or maintenance, switch off the electricity supply.

To avoid any fire risk, the following cleaning instructions must be followed:

Grease filters

The grease filters absorb grease and dust from cooking fumes, which would

otherwise damage the inside of the hood. The grease filters should be removed and cleaned regularly - with normal use, this should be every 2 months. To clean use warm soapy water, or wash in a dishwasher. The grease filters may slightly change colour following washing, however this does not affect their performance.

Important: Frequent washing is essential to prevent a build up of grease in the filters which could become a fire hazard.

1. Remove the filters from the hood.
2. Carefully wash the grease filters in hot soapy water and dry with a clean towel.
3. Refit the clean filters.

Carbon filters (*models installed for use with the re-circulation method only*)

The carbon filters absorb cooking odours and need renewing after about 4 months of normal use. Replacement carbon filters can be obtained from your supplier.

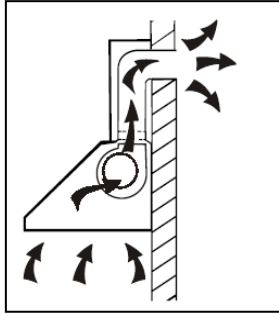
Saturation of the activated charcoal in the filter will depend on how often the hood is used, the type of kitchen and the regularity of cleaning the grease filter.

The carbon filters cannot be washed - renew every 4 months. push in firmly .

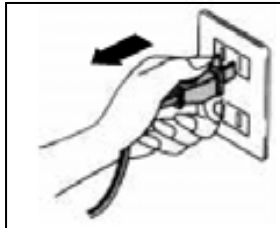
Installation

Prepare for installation:

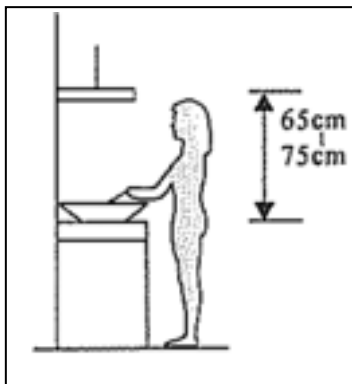
- a. If you have an outlet to the outside, your cooker hood can be connected as below picture by means of an extraction duct (enamel, aluminium, flexible pipe or inflammable material with an interior diameter of 150mm)



- b. Before installation, turn the unit off and unplug it from the outlet.



- c. The cooker hood should be placed at a distance of 65~75cm above the cooking plane for best effect.



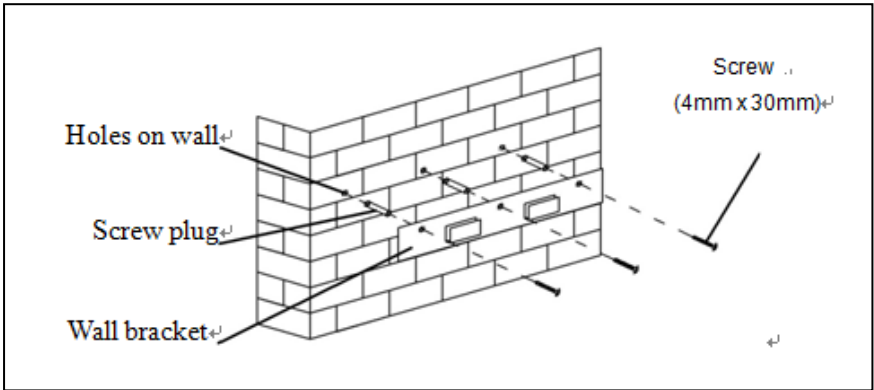
Installation

1 Installation (Vent outside):

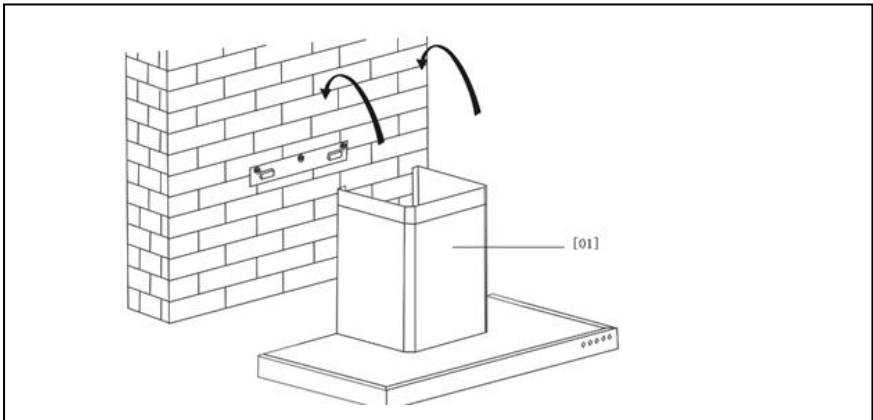
Attention! Observe the warning in the instruction sheet concerning the operation of the appliance when air is discharged from the room.

When the range hood and appliance supplied with energy other than electricity are simultaneously in operation, the negative pressure in the room must be not exceed 4 Pa (4×10^{-5} Bar)

- Drill 3 x 8mm holes to accommodate the bracket. Screw and tighten the bracket onto the wall with the screws & screw plugs provided.



1. Offer up the cooker hood and hang onto the wall bracket hook.

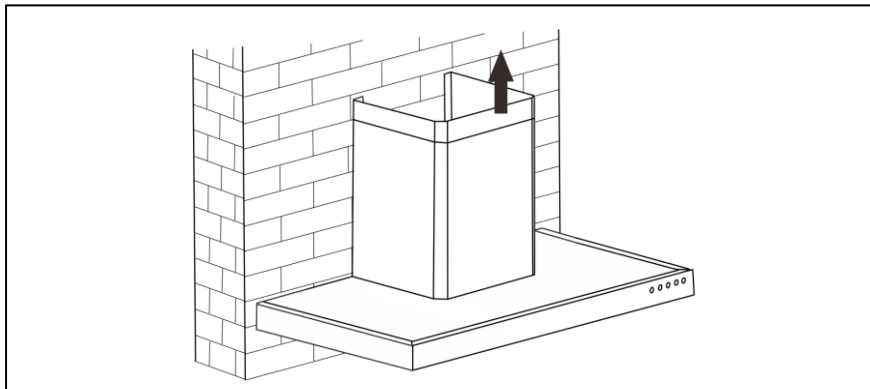


Installation

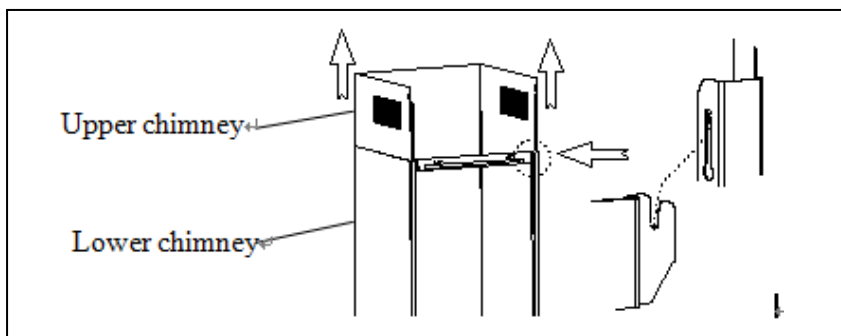
2. Chimney installation.

2.1 For Flat chimney,

- ◆ Put the upper chimney into lower chimney .Then pulling out the upper chimney upwards. Adjust to reach the height required.



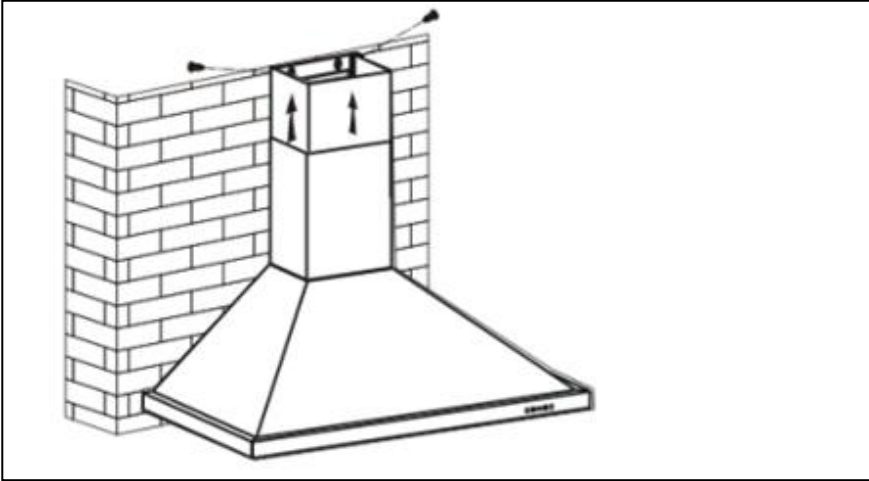
- ◆ Sliding the chimney to adjust the chimney height. When the height you required is reached, then hang the fixing hole to the fixing screws as showed in below pictures



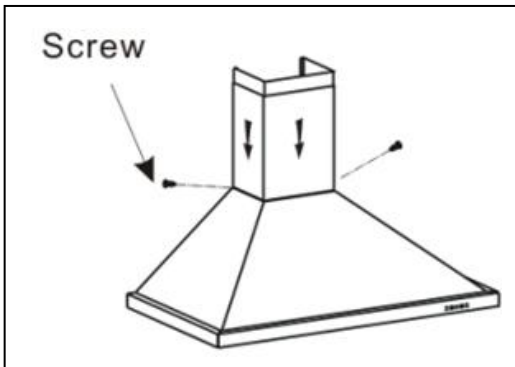
Installation

2.2 For chimney hood

- ◆ By put the inner chimney into upper chimney. Then pulling out the upper chimney upwards. Adjust to reach the height required.

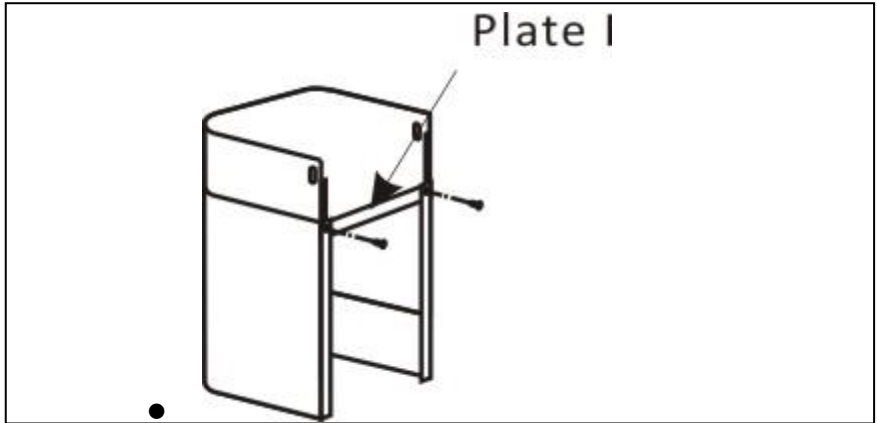


Fix the lower chimney with 2 pcs of 4x8mm screws.

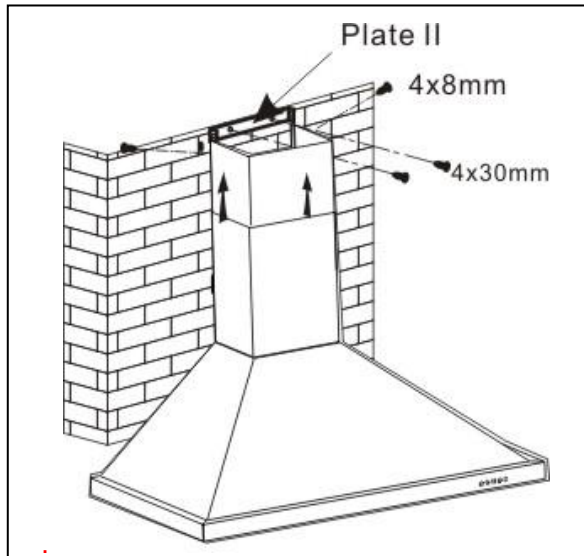


Installation

- ◆ Sliding the chimney to adjust the chimney height. When the height you required is reached, then fix 2 pcs of 4x8mm screws onto the hole fixing with plate I as showed in below pictures.

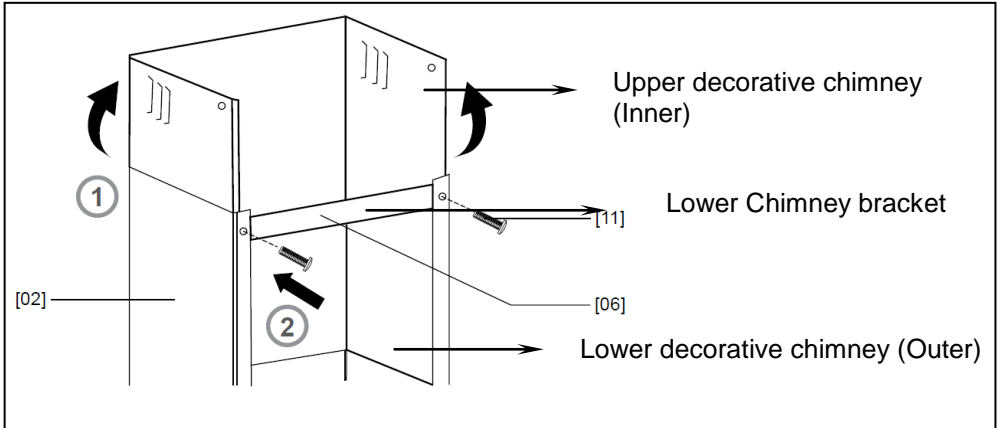


- Drill 2 x 8mm holes to accommodate the plate II. Screw and tighten the plate II onto the wall with 2 screws provided.
- Assemble the chimney onto the unit and fix it with 2 screws.



Installation

Use 2pcs ST4x8mm screws to attach lower and upper chimney together, do not fasten screws too much, make sure *upper decorative chimney* can be telescopically adjusted after assembled.

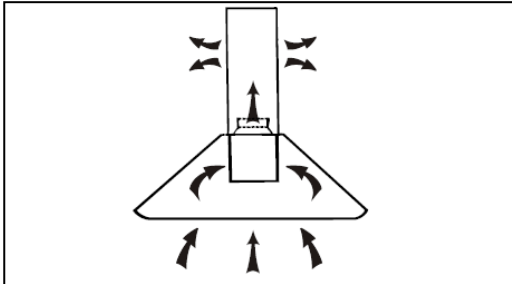


Installation (Vent inside)

NOTE:

Carbon Filter not supplied, these can be purchased as an accessory

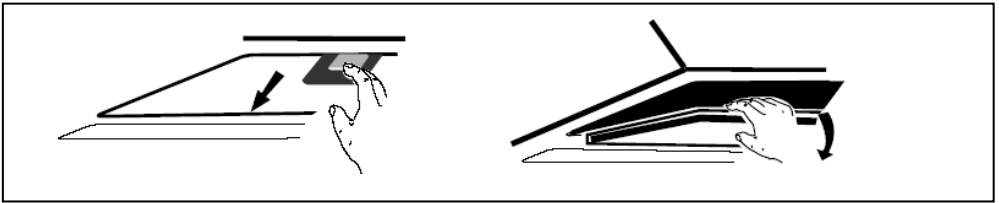
If you do not have an outlet to the outside, exhaust pipe is not required and the installation is similar to the one show in section "**Installation (Vent outside)**".



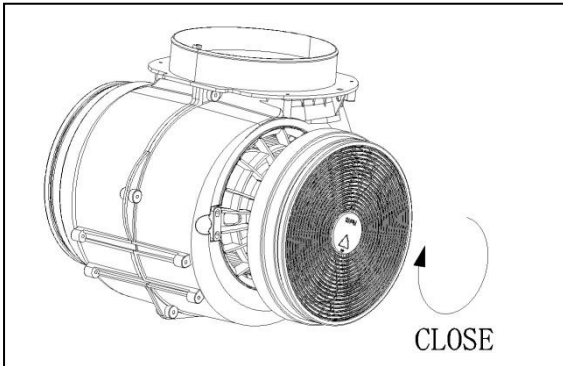
Activated carbon filter can be used to trap odours.

In order to install the activated carbon filter, the grease filter should be detached first. Press the lock and pull it downward.

Installation



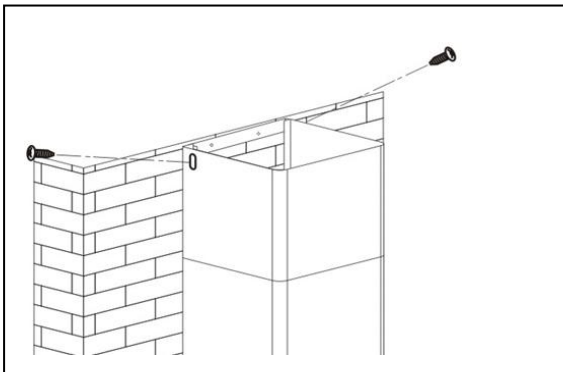
Plug the activated carbon filter into the unit and turn it in clockwise direction. Repeat the same on the other side.



NOTE:

o *Make sure the filter is securely locked. Otherwise, it would loosen and cause dangerous.*

When activated carbon filter attached, the suction power will be lower.



Remove all blue protective film on chimney and cooker hood, the installation is now finished.

Technical Data

Electricity supply

230 - 240V ~ 50Hz

Classification

class I

Noise level (External Venting)

Position 4 (booster) 65 dBA

Position 3 53 dBA

Position 2 41 dBA

Position 1 39 dBA

Light bulbs

2 x 1.5W LED

Please make sure you follow the instructions for replacing light bulbs carefully and always make sure you use the correct bulb type.

Motor rating

210W

Carbon filters

x 2 - available as Spares

Grease filters

x 3 aluminium panel

Note:

After cleaning, grease filters may lose their colour slightly - this does not affect their performance.

Extraction Rate (External)

Position 4 (booster) 703m³/H

Position 3 650m³/H

Position 2 538m³/H

Position 1 253m³/H

Stoves Customer Care

Please keep this handbook in a safe place.

Please fill in the model number and serial number in the spaces provided below as they will assist us should you need to call.

0844 815 3740

When you dial this number you will hear a recorded message and be given a number of options. This indicates that your call has been accepted and is being held in a queue. Calls are answered in strict rotation as our Customer Care Representatives become available.

Enter appliance numbers here for future reference:

Model No							
<input type="text"/>	<input type="text"/>	<input type="text"/>	<input type="text"/>	<input type="text"/>	<input type="text"/>	<input type="text"/>	<input type="text"/>
Serial No							
<input type="text"/>	<input type="text"/>	<input type="text"/>	<input type="text"/>	<input type="text"/>	<input type="text"/>	<input type="text"/>	<input type="text"/>

These numbers can be found on your appliances.
Outside the UK and Northern Ireland, refer to your local supplier.

S T O V E S

Stoney Lane, Prescot, Merseyside, L35 2XW