



# **Chimney Hood CPLP models**

User & Installation Instructions

## **Stoves Customer Care**

---

Thank you for choosing this appliance from Stoves.  
Should you need to contact us however, please call the number below and our Customer Care Centre staff will be pleased to help in any way they can.

**0870 444 9929**

When you dial this number you will hear a recorded message and be given a number of options. This indicates that your call has been accepted and is being held in a queue. Calls are answered in strict rotation as our Customer Care Representatives become available.

### **Opening Hours for Customer Care Centre**

Monday to Friday	8am - 8pm
Saturday	8.30am - 6pm
Sunday	10am - 4pm

When calling please have to hand you appliances model and serial numbers. These numbers help us to quickly identify your product and enable our Customer Care team to provide you with the most up to date advice and support.

Outside the UK and Northern Ireland, refer to your local supplier.

# Contents

---

<b>User's Section</b> . . . . .	<b>2 - 5</b>
Introduction . . . . .	2
Parts Identification . . . . .	3
Using the Hood . . . . .	4
Care and Maintenance . . . . .	5
<b>Installation</b> . . . . .	<b>6 - 10</b>
Regulations and standards . . . . .	6
Ventilation & Mounting height . . . . .	6
Method 1: Re-circulation . . . . .	7
Method 2: Extraction through an outside wall . . . . .	8
Wall Fixing . . . . .	9
Installation Illustrations . . . . .	9
Electrical Connection . . . . .	10
<b>Technical Data</b> . . . . .	<b>11</b>
<b>Customer Support</b> . . . . .	<b>12</b>

# Introduction

---

Thank you for buying this Stoves hood, we hope that it makes an attractive and useful addition to your kitchen.

This handbook contains information which will help you to install and use your new hood, and we recommend that you read it fully before you start.

This handbook is for the following hoods:

Stoves 600CPLP

Stoves 900CPLP

Stoves 1000CPLP

Stoves 1100CPLP

Our policy is one of constant development and improvement. Strict accuracy of illustrations and specifications is not guaranteed. Modification to design and materials may be necessary subsequent to publication.

Before using the appliance for the first time, remove all packaging and protective polythene film.

## **Your first year Guarantee**

To fulfil the conditions of your guarantee, this appliance must be correctly installed and operated, in accordance with these instructions, and only be used for normal domestic purposes. Please refer to your guarantee card for further details.

Please note that the guarantee, and Service availability, only apply to the UK and Republic of Ireland.

## **Installation**

This appliance has been designed for

use as an exhausting (air evacuation to the outside) or filtering (indoor air re-cycling) hood.

*Note:* If you wish to install the hood for extraction through an outside wall, a compatible ducting kit should be obtained.

Because of the complexity and weight of the appliance, it is recommended that the installation be carried out by specialist personnel.

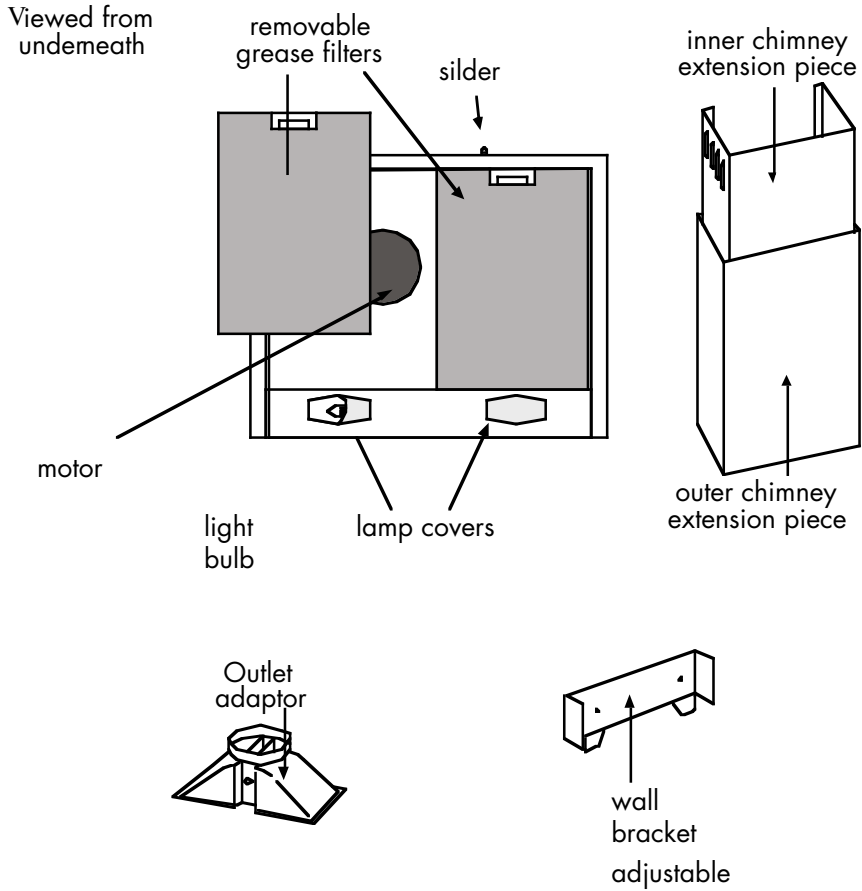
The manufacturer declines all responsibility for damage caused by improper or unworkmanlike installation.

*Please read this handbook carefully and keep it for future reference.*

*Before installing this appliance, you may need to contact our Customer Care Centre in order to purchase certain parts. Please see the details in the Customer Service section of this handbook.*

# Parts Identification

**Figure 1**



# Using the Hood

---



**Figure 2:** hood controls:  
The controls work as follows:

A - Neon light

B - Off

C - Position 1

D - Position 2

E - Position 3

F - Automatic stop timer

We recommend that you switch on the hood for a few minutes before you start cooking, and then leave it running for approximately 15 minutes afterwards to ensure that all odours are extracted.

To illuminate the cooking area underneath the hood, push the light control button in to the "on" position. To switch off, press again to return to the "off" position.

To operate the hood, press the button for the required speed - select: **1** low, **2** medium, or **3** high speed. The neon indicator light will light up to show when the fan is operating. To switch off, press the "off" button.

## **Important safety notes**

- Keep hob rings covered with pans when switched on to avoid damaging the hood. The use of an unprotected flame can cause a fire hazard.
- Do not flambé food underneath the hood.
- When frying foods, take care to avoid cooking oil flares.
- Wash the grease filters regularly - refer to the cleaning section.
- Do not check filters while the hood is in use.
- Do not touch the lamps after prolonged use of the appliance.

## **Re-circulation method only:**

- Keep the air ducting vents clear of obstruction.
- Change the carbon filters every 4 months.

## Care & Maintenance

---

**Before cleaning or maintenance, switch off the electricity supply.**

### **Replacing a light bulb**

1. Switch off the electricity supply.
2. Remove the grease filters from the hood.
3. Unscrew the bulb from the holder. Replacement bulbs can be obtained from your supplier or local hardware store.
4. Fit the new bulb, ensuring it is screwed securely into the holder.
5. Refit the grease filters.

**Light bulbs are not covered by the warranty**

To avoid any fire risk, the following cleaning instructions must be followed:

### **Grease filters - aluminium**

The grease filters absorb grease and dust from cooking fumes, which would otherwise damage the inside of the hood.

The grease filter should be removed and cleaned regularly - with normal use, this should be every 2 months.

**Important:** Frequent washing is essential to prevent a build up of grease in the filters which could become a fire hazard.

1. Remove the filters from the hood.
2. Carefully wash the grease filters in hot soapy water and dry with a clean towel.
3. Refit the clean filters.

4. Aluminium grease filters are supplied with this appliance.

### **Outer casing**

All external parts of the outer casing and visor can be safely cleaned with a clean cloth wrung out in hot soapy water.

*Do not use caustic pastes, abrasive cleaning powders, wire wool and hard implements, as they will damage the surfaces.*

### **Carbon filters not supplied.**

The carbon filters absorb cooking odours and need renewing after about 4 months of normal use. A replacement carbon filter can be obtained from your supplier.

Saturation of the activated charcoal in the filter will depend on how often the hood is used, the type of kitchen and the regularity of cleaning the grease filter.

**The carbon filters cannot be washed - renew every 4 months.**

1. Remove the grease filters from the hood.
2. Release the old carbon filters by twisting them in either direction by a quarter turn (90°) until they disengage.
3. Fit the new carbon filters by engaging them onto the pegs in the centre of the fan grille and twisting by a quarter turn until they are gripped securely.
4. Refit the grease filters.

# Installation

---

## **Regulations and standards**

Before you start please read instructions carefully. All installations, service and repair work must be in accordance with local standards and regulations.

In the UK the regulations and standards are as follows:-

1. Building regulations.
2. The current I.E.E. wiring regulations.
3. Electricity at work regulations.
4. Installation and servicing instructions for this appliance.

## **Ventilation**

Adequate ventilation, in accordance with the Gas Safety Regulations (Installation and Use), and the relevant building regulations must be provided when the hood extracts air from a room with a flued gas burning appliance, which is not of the "balanced flue" type.

## **Mounting height**

The cooker hood must be fitted at least 650 mm above a gas or electric hob. If cooker / hob instructions give a different figure to that given above, then the higher measurement should be followed.

To prevent possible hood cut-out, a clearance of 650 mm is recommended above gas hobs where possible.

## **Select method of operation**

The cooker hood has two possible methods of operation:

***Method 1:*** *Re-circulation requires carbon filters.*

Installation with dual filtration to clean the air before it is re-circulated into the room.

***Method 2:*** *Extraction through an outside wall requires a ducting kit.*

The hood can be installed with a duct to extract cooking fumes through an outside wall.

## **Dimensions**

Please note that all dimensions and sizes are nominal, some variation is to be expected.



# Installation

---

## **Method 1: Re-circulation (dual filtration)**

The fan draws cooking fumes through the washable grease filters into the underside of the hood, then through the carbon filter, to remove odours before returning clean air to the kitchen via the air ducting vents.

If a cooker hood and any non electrically powered appliances extract fumes at the same time, then the room must be suitably ventilated.

When selecting the best position for the hood, ensure that air flow from the air ducting vents is not obstructed by cupboards, shelves, etc.

Do not vent into enclosed cupboard space.

This method may require you to purchase carbon filters, these are available from our Customer Care Centre. Please see the Customer Care section of this handbook for further details.

## **Assembly**

1. Remove the grease filters.
2. Fit the carbon filter (if supplied - may be packed separately) by engaging it onto the peg in the centre of the fan grille and twisting in either direction by a quarter turn (90°) until it is gripped securely.
3. Discard the outlet adaptor as it is not required when installing the cooker hood as a re-circulation filter.

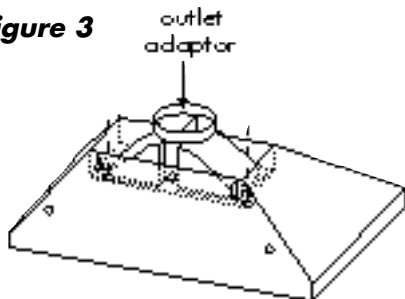
# Installation

## **Method 2: Extraction through an outside wall**

The fan draws cooking fumes through the washable grease filter into the underside of the hood, then the fumes are expelled through a duct or directly through an outside wall.

This method may require you to contact our Customer Care Centre to purchase a ducting kit. You may however prefer to use your existing ducting, if it is appropriate.

**Figure 3**



## **Assembly**

1. Remove the grease filters.
2. Remove the carbon filter (if fitted) and discard, as this is not required when installing the cooker hood as an extractor fan.
3. Connect the discharging pipe to the ducting outlet adaptor, and route the pipe through a 130 mm hole in the rear wall.

## **Wall vent kit and ducting**

- For connecting the hood outlet adaptor to the outside wall, we recommend that a wall vent kit is purchased from your supplier or local hardware store.
- Use a 125 mm diameter ducting kit and connect to the ducting outlet adaptor.
- Horizontal duct runs should be avoided. A slope of 5° or more upwards from the hood to the wall outlet will assist the flow of air.
- The ducting pipe and any connecting pieces should be coupled to the preceding piece by pushing into and never over it - the upper part must be fitted over the lower part.
- The outlet from the hood must not be ducted into a wall cavity, through a ventilator shaft or through a chimney. It must not be ducted through a flue used by a non-electrically powered appliance.
- Adequate ventilation must be provided if a cooker hood extracts fumes from the room at the same time as an appliance powered by a fuel other than electricity (such as a gas appliance) is operated. The extractor hood removes air from the room which the burner is dependant on for combustion.

# Installation

## Wall fixing (figures 2,3,4)

- Drill the holes A, as per the dimensions in fig 2.
- Using the screws and dowels supplied with the appliance, fasten the wall bracket to the wall.
- Ensure that they are suitable for the type of wall where the cooker hood is to be mounted.
- Locate and fasten the hood to the wall. Secure the body of the hood as shown in fig 4.
- Secure the top junction piece to the wall bracket through the side holes using the screws provided see fig 3.

## Securing the telescopic flue.

- Make sure the power cables are inside the decorative flue to conceal them.
- Make sure there is an exhaust opening prepared.
- Adjust the width of the support bracket (fig 3), then fix it into the ceiling using the screws shown in fig 3 - A. This should be as shown in fig 2.
- Connect the flange as per fig 4. Then insert the two pieces of the flue.
- In some cases it may be necessary to adjust the length of one or both of the chimney sections. Cut the bottom of each section so that the cut is hidden using suitable cutting implements. Please take care not to obstruct the ducting vents.

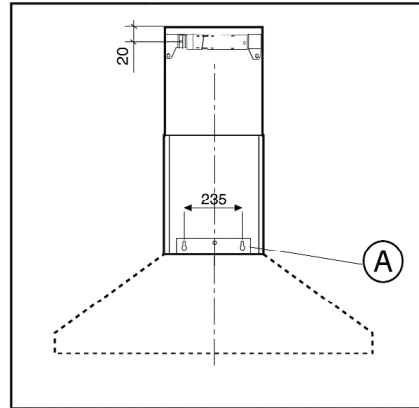


Fig.2

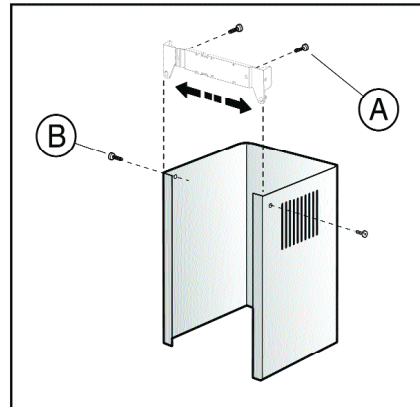


Fig.3

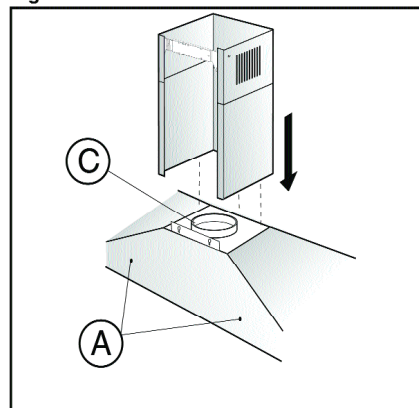


Fig.4

# Installation

## Re-circulation mode only

- Since the side vents are located in the upper chimney section, no L-shaped air flow directing piece is required.

## **Hood Measurements**

The below table shows the various hood measurements for this hood.

The dimensions of the chimney piece (including the hood body) are as follows:

600CPLP & 1100CPLP

250mm x 183mm x 330 - 700mm

900CPLP & 1000CPLP

250mm x 183mm x 605 - 650mm

This is W x D x H.

Body of hood Hood Name	Width mm	Depth mm	Height mm
600CPLP	600	492	260
900CPLP	900	492	260
1000CPLP	1000	492	260
1100CPLP	1100	492	260

# Installation

## Electrical connection

This appliance is double insulated for safety and therefore does not require an earth connection to the mains inlet.

The wires in the mains lead are coloured in accordance with the following code:

Blue = neutral, Brown = live.

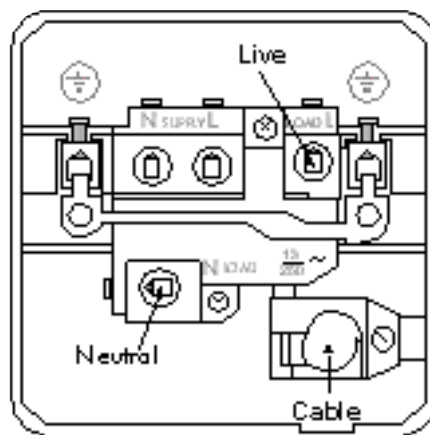
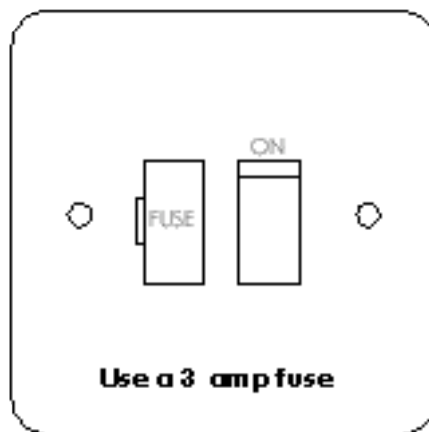
As the colours of the wires in the mains lead for the appliance may not correspond with the coloured markings identifying the terminals in your spur box, proceed as follows:

1. The wire which is coloured blue must be connected to the terminal marked **N** (neutral) LOAD, or coloured black.
2. The wire which is coloured brown must be connected to the terminal marked **L** (live) LOAD, or coloured red.

The fused spur socket should be positioned where it is easily accessible so you can switch off the supply to the hood when renewing the light bulb.

**Figure 6**

**Typical example of a double pole fused spur outlet**



# Technical Data

---

## Electricity supply

230 - 240V ~ 50Hz

## Classification

class II metal encased

## Noise level (External Venting)

Position 3	56 dBA
Position 2	51 dBA
Position 1	48 dBA

## Noise Level (Internal Venting)

Position 3	59 dBA
Position 2	56 dBA
Position 1	53 dBA

## Light bulbs

600CPLP : 2 x 40W

900CPLP: 2 x 40W

1000CPLP: 2 x 20W Halogen

1100CPLP: 3 x 20W Halogen

Please make sure you follow the instructions for replacing light bulbs carefully and always make sure you use the correct bulb type.

## Motor rating

120W

## Carbon filters

x 2 - available as Spares

## Grease filters

x 2 metal filters

Note:

After cleaning grease filters may lose their colour slightly - this does not affect their performance.

## Extraction Rate (External)

Position 3	440m <sup>3</sup> /H
Position 2	378m <sup>3</sup> /H
Position 1	303m <sup>3</sup> /H

## Extraction Rate (Internal)

Position 3	301m <sup>3</sup> /H
Position 2	259m <sup>3</sup> /H
Position 1	227m <sup>3</sup> /H

# **Customer Care & Service**

Please keep this handbook in a safe place as the information inside may be of use should you sell, or pass on the appliance. Please fill in the model number and serial number in the spaces provided below as they will assist us should you need to call.

**0870 444 9929**

When you dial this number you will hear a recorded message and be given a number of options. This indicates that your call has been accepted and is being held in a queue. Calls are answered in strict rotation as our Customer Care Representatives become available.

## **Opening Hours for Customer Care**

Monday to Friday 8am - 8pm  
Saturday 8.30am - 6pm  
Sunday 10am - 4pm

Enter appliance numbers here for future reference:

Model No	<input type="text"/>	<input type="text"/>	<input type="text"/>	<input type="text"/>	<input type="text"/>	<input type="text"/>	<input type="text"/>	<input type="text"/>
Serial No	<input type="text"/>	<input type="text"/>	<input type="text"/>	<input type="text"/>	<input type="text"/>	<input type="text"/>	<input type="text"/>	<input type="text"/>

Please ensure you have the above details (Model No and Serial No) to hand when calling Stoves Customer Care. They are essential to booking your call, or ordering any spare parts.

### **Spares for this appliance:**

Carbon Filters - 082611471

Ducting Kit 1m - 082611309

Ducting Kit 3m - 082611310

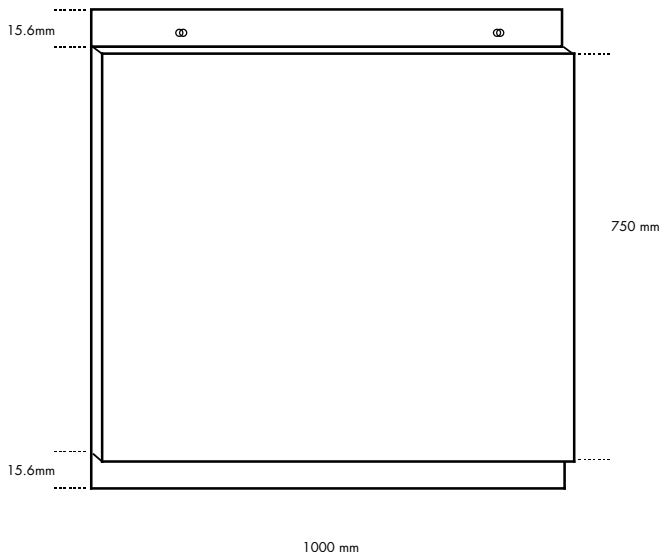
Outside the UK and Northern Ireland, refer to your local supplier.

## Splashback (if purchased)

---

### Installation

1. Fix the 2 top hanging screws to the dimensions indicated see below.
2. Hang the backplate on the 2 top hanging screws.
3. Secure the backplate with screws through the bottom 2 fixing holes



### Care & Cleaning

Only use a clean cloth wrung out in hot soapy water, and dry with a soft cloth. Stubborn marks can be removed using warm soapy water. We recommend that you clean the whole of the splashback to maintain a uniform finish.

Do not use undiluted bleach or any products containing chlorides as they can permanently damage the splashback.

Extra care should be taken when cooking food in salted water. Some foods are corrosive eg; vinegar, fruit juices and especially **salt** - they can mark or cause damage if they are left on the surface. Wipe any splashes immediately.

### Customer Support

In case of difficulty, please call Stoves Customer Support Helpline on

**0870 444 9929**







