

# **700GR**

**700mm Rotostar  
Gas Double Oven & Grill**

Natural Gas

User & Installation Instructions

**STOVES**

### **IMPORTANT NOTICE**

Please note the cooling fan fitted to this appliance is an integral part of its safety and functionality.

When the appliance is installed care must be taken that the cooling fans performance is not impeded by any objects coming into contact with it. (Installation pipes, leads etc)

Care must also be taken that there is sufficient air flow at the rear of the appliance for the cooling fan to run at its optimum efficiency. (Particularly Built In appliances) See clearance dimensions in the installation section of the booklet.

During use the Appliance must never be disconnected from the Mains supply as this will seriously affect the safety and performance of the appliance, particularly in relation to surface temperatures becoming hot and gas operated parts not working efficiently.

The cooling fan is designed to run on after the control knob has been switched off to keep the front of the appliance and the controls cool until the appliance has naturally cooled itself.

# Stoves Customer Care

---

Thank you for choosing this British built appliance from Stoves. We hope you enjoy many years of trouble free cooking with this oven. Should you need to contact us however, please call the number below and our Customer Care Centre staff will be pleased to help in any way they can.

**0871 22 22 502**

When you dial this number you will hear a recorded message and be given a number of options. This indicates that your call has been accepted and is being held in a queue. Calls are answered in strict rotation as our Customer Care Representatives become available.

## **Opening Hours for Customer Care Centre**

Monday to Friday	8am - 8pm
Saturday	8.30am - 6pm
Sunday	10am - 4pm

When calling please have to hand you appliances model and serial numbers. These numbers help us to quickly identify your product and enable our Customer Care team to provide you with the most up to date advice and support.

Alternatively spares and service call outs can be requested via our website:  
**[www.stoves.co.uk](http://www.stoves.co.uk)**

Outside the UK and Northern Ireland, refer to your local supplier.

# CONTENTS

---

<b>User's Section</b> . . . . .	<b>2</b>
Introduction . . . . .	3
Be Safe - Not Sorry . . . . .	6
Using the Grill . . . . .	7
Using the Top Oven . . . . .	9
Using the Main Oven . . . . .	10
Using the Ovens . . . . .	11
Programmer / Clock . . . . .	12
Cleaning . . . . .	17
Micro-computer Operation . . . . .	20
 <b>Installation Instructions</b> . . . . .	 <b>21</b>
 <b>Fault finding</b> . . . . .	 <b>34</b>
 <b>Technical Data</b> . . . . .	 <b>37</b>
 <b>Stoves Customer Care</b> . . . . .	 <b>Back cover</b>

**If you smell gas:**

Do not try to light any appliance. Do not touch any electrical switch.

Call the Gas Emergency Helpline at TRANSCO on: **0800 111999**

In the Republic of Ireland, call the Bord Gáis emergency line on  
**1850 205050** or contact your local gas supplier.

*Please keep this handbook for future servicing, or for anyone else who may use the appliance.*

# INTRODUCTION

---

## **Thank you for choosing a British built appliance by Stoves**

We hope the following information will help you to familiarise yourself with the features of the appliance, and to use it successfully and safely.

Our policy is one of constant development and improvement. Strict accuracy of illustrations and specifications is not guaranteed. Modification to design and materials may be necessary subsequent to publication.

This appliance must be installed in accordance with the regulations in force, and only in a well ventilated space. Read the instructions before using or installing this appliance.

The 700GR is designed to fit into a standard 600mm wide housing unit with a minimum internal height of 710mm and clear depth of 550mm.

## **Your first year guarantee**

To fulfil the conditions of your guarantee, this appliance must be correctly installed and operated, in accordance with these instructions, and only be used for normal domestic purposes.

Please note that the guarantee, and Service availability, only apply to the UK and Republic of Ireland.

**Before using the appliance** for the first time, remove any protective polythene film and wash the oven shelves and furniture in hot soapy water to remove their protective covering of oil. Even so, when you first switch on the oven or grill, you may notice a smell or some smoke.

## **To replace an oven light bulb**

Switch off the electricity supply to the appliance at the socket, to avoid the risk of electric shock.

Wait until the oven is cool then remove the oven shelves.

The lens cover on the light can be removed by grasping the lens cover and pulling away from the side of the oven. Unscrew the bulb.

Please note that the oven light bulbs are not covered by guarantee. Replacement bulbs can be bought from most hardware stores.

# INTRODUCTION

---

## Gas & Electrical connection

Please refer to installation instructions for the Gas & Electrical Safety Regulations and the Ventilation Requirements.

In your own interest, and that of safety, it is the law that all gas appliances be installed by competent persons, who will ensure that the installation is in accordance with "The Gas Safety (Installation & Use) Regulations" , & the "The Gas Safety (Installation & Use) (Amendment) Regulations". Failure to comply with these Regulations is a criminal offense.

Corgi registered installers undertake to work to satisfactory standards.

Disconnection of gas and electric appliances should always be carried out by competent persons.

**Warning:** This appliance must be earthed.

## In the event of a power cut

1. Switch off the electricity to the appliance at the socket.
2. When the power returns, see the 'Programmer / Clock' section to 'Set the time of day'.

## Note: operating the control knobs

You may find that the control knobs on your new appliance operate or perform differently to those you are used to.

The controls are part of the unique electronic operating system of the appliance and are designed to be extremely responsive and easy to turn.

## Condensation

When hot and cold air meet, condensation forms. The outer door is air cooled and the inner door gets hot, so some condensation might form; this is normal and will disappear within 10 - 15 minutes.

During operation, a metallic click may be heard occasionally. This is caused by the gas valve operating and is quite normal.

## Ventilation

The use of a gas cooking appliance results in the production of heat and moisture in the room in which it is installed. Ensure that the kitchen is well ventilated; keep natural ventilation holes open or install a mechanical ventilation device (mechanical extractor hood).

Prolonged intensive use of the appliance may call for additional ventilation, for example opening of a window, or more effective ventilation, for example increasing the level of mechanical ventilation where present. This appliance is not connected to a products evacuation device.

It should be installed and connected in accordance with current installation regulations. Particular attention should be given to the relevant requirements regarding ventilation.

# INTRODUCTION

---

## **Glass door panels**

To meet the relevant Standards of Domestic cooking appliances, all the glass panels on this appliance are toughened to meet the fragmentation requirements of BS3193. This ensures that, in the unlikely event that a panel breaks, it does so into small fragments to minimise the risk of injury.

Please take care when handling, using or cleaning all glass panels as any damage to the surfaces or edges may result in the glass breaking without warning or apparent cause at a later date. Should any glass panel be damaged, Stoves strongly recommend that it is replaced immediately.

The *Gas Consumer Council* (GCC) is an independent organisation which protects the interests of gas users. If you need advice, you will find the telephone number in your local telephone directory under Gas.

## **Cooling fan**

When you switch on the ovens or grill you will hear the cooling fan start. This fan provides air for the burners and keeps the exterior of the appliance cool during cooking, the appliance will not operate unless the fan is operating.

If the fan malfunctions the appliance will require servicing. Switch off the appliance electricity supply. The fan may continue to operate to cool the appliance for a few minutes after the last control has been switched off.

**Warning:** Do not use the oven(s) if the fan is not working.

## **Environmental Protection**

We are committed to protecting the environment and operate an Environmental Management System which complies current regulations.

## **Disposal of packaging**

- All our packaging materials are recyclable and environmentally friendly.
- Please help us to protect our environment by disposing of all packaging in an environmentally friendly manner.
- Please contact your local authority for the nearest recycling centre.

**Caution:** Packaging materials can pose a risk of suffocation - keep away from children.

## BE SAFE - NOT SORRY

---

### **When you are cooking, keep children away from the vicinity of the appliance.**

This product is designed as a domestic cooking appliance for the preparation and cooking of domestic food products, and should not be used for any other purpose.

- Remove all packaging, protective films and oils from the appliance before using it for the first time.
- Make sure you read and understand the instructions before using the appliance.
- Keep electrical leads short so they do not drape over the appliance or the edge of the worktop.
- Keep all flammable materials (such as curtains, furnishings and clothing) away from the appliance.
- Parts of the appliance may be hot during or immediately after use. Allow sufficient time for the appliance to cool after switching off.
- Never use the appliance for heating a room.
- Do not use the oven with the door inner glass panel removed.
- When opening the appliance door, take care to avoid skin contact with any steam which may escape from the oven.
- Do not use foil on oven shelves or allow it to block the oven flue, as this creates a fire hazard and prevents heat circulation.

- Do not place items on the drop-down doors when they are open.
- Do not use aluminium foil to cover the grill pan, or put items wrapped in foil under the grill, as this creates a fire hazard.
- Use oven gloves when removing hot food / dishes from the oven or grill. The oven / grill and utensils will be very hot when in use.
- When cooking heavy items - eg; turkeys - do not pull the oven shelf out with the item still on the shelf.
- Switch off the electricity supply before replacing an oven light bulb, to avoid the risk of electric shock.

All installation, servicing and maintenance work should be carried out by a competent person who will comply with current Regulations, Standards and Requirements.

### **When you have finished cooking check that all controls are in the off position.**

As with all gas appliances, it is recommended that your appliance is serviced regularly.



# USING THE GRILL

---

**Caution: Accessible parts may be hot when the grill is used. Young children should be kept away.**

## Grill ignition

Open the grill door. Turn the *Top Oven / Grill* control knob clockwise to the grill setting.

The grill door must be fully open when the grill is used. If the door is closed the grill burner will go out. The grill will re-light when the door is opened again.

There is a short delay before ignition whilst the cooling fan speeds up - this may be for several seconds.

To switch off, return the control knob to the "off" position.

Note that the grill will not function when the appliance set for automatic cooking.

Position the grill pan centrally on the oven shelf.

## Caution:

Never cover the grill pan or grid with cooking foil or allow fat to build up in the grill pan, as this creates a fire hazard.

## Preheating

For best cooked results, the grill should be preheated until the green ready light appears (about 3 minutes).

## Using the Grill

Push the grill pan towards the back and centre of the shelf, to position it under the grill. Variation in grilling performance can be achieved by selecting a higher or lower shelf.

Always use the top shelf position for fast cooking, toasting and grilling foods such as bacon, sausages or steaks.

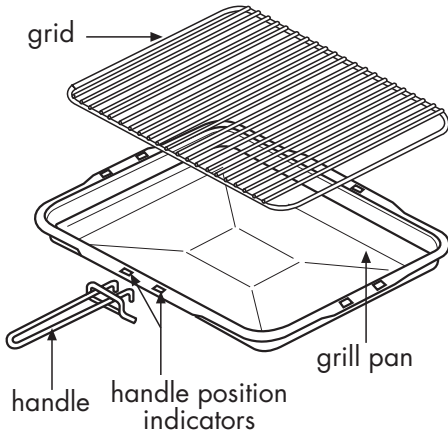
For thicker foods such as chops or chicken joint pieces use a middle to low shelf position.

The grill grid, inside the grill pan, can also be inverted to give a high or low position, or it may be removed.

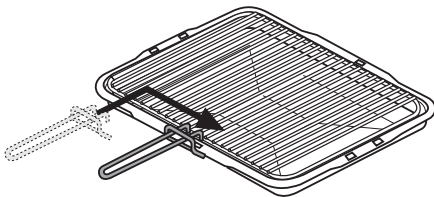
**When you have finished grilling, check the control knob is in the off position.**

# USING THE GRILL

## Detachable grill pan handle



Place the handle over the edge of the grill pan, at the narrow side edges. Slide the handle to the centre, and locate between the handle position indicators.



The handle should be removed from the pan during grilling, to prevent overheating.

The handle is designed for removing / inserting the grill pan under the grill when grilling.

If cleaning the grill pan when it is hot, use oven gloves to move it. *Do not* use the handle to pour hot fats from the grill pan.

Food for grilling should be positioned centrally on the grid.

# USING THE TOP OVEN

---

**When you are cooking keep children away from the vicinity of the oven.**

The top oven can be used generally, in the same way as the main oven, to cook the full range of dishes, but it is a SECONDARY oven and there are some differences.

## **Top oven ignition**

Turn the *Top Oven / Grill* control knob anticlockwise to the required gas mark.

There is a short delay before ignition (up to 10 seconds) as the cooling fan builds up pressure.

To turn off, return the control knob to the "off" position.

## **Note:**

As part of the cooking process, hot air is expelled through a vent at the top of the oven(s). When opening the oven door, care should be taken to avoid any possible contact with potentially hot air, since this may cause discomfort to people with sensitive skin. We recommend that you hold the underneath of the oven door handle.

**Warning:** Do not use the oven(s) if the fan is not working.

# USING THE MAIN OVEN

---



**When you are cooking keep children away from the vicinity of the oven.**

## **Manual operation**

The oven cannot be used manually when the programmer is set for automatic cooking. If auto is showing on the programmer display, press the cook time and ready time buttons simultaneously to cancel the automatic setting and return to manual operation.

Turn the control knob anticlockwise to the required gas mark setting.

There is a short delay before ignition whilst the cooling fan starts and runs up to speed. The ignition unit will spark for approximately four seconds to light the burner; if ignition does not occur, the computer will close the gas valve for 12 seconds to allow any unburnt gas to disperse, before attempting ignition again. This sequence will occur automatically a further 4 times only. The green lamp will flash if ignition does not occur within 4 attempts. The computer may be reset if ignition has not occurred, by turning the control off then on again to the required setting.

The oven cannot be used manually when the programmer is set for automatic cooking; if **A** (AUTO) is showing on the programmer display, press the  cook time and  ready time buttons simultaneously to cancel the automatic setting.

## **Main oven ignition**

Turn the control knob anticlockwise to the required gas mark.

To turn off, return the control knob to the "off" position.

## **Automatic operation**

See 'Programmer / Clock' section.

We recommend that 15 minutes is added to the cooking time when using the automatic cooking facility, to allow for preheating.

## **Oven light**

All oven lamps will light when an oven is in use.

## **Note:**

As part of the cooking process, hot air is expelled through a vent at the top of the oven(s). When opening the oven door, care should be taken to avoid any possible contact with potentially hot air, since this may cause discomfort to people with sensitive skin. We recommend that you hold the underneath of the oven door handle.

**Warning:** Do not use the oven(s) if the fan is not working.

# USING THE OVENS

---

## Oven furniture

### **Oven shelves**

The oven shelf must be positioned with the upstand at the rear of the oven and facing upwards.

Position baking trays and roasting tins on the middle of the shelves, and leave one clear shelf position between shelves, to allow for circulation of heat.

### **Baking tray and roasting tins**

For best cooked results and even browning, the maximum size baking trays and roasting tins that should be used are as follows;

Baking tray      350mm x 280mm

This size of baking tray will hold up to 16 small cakes.

Roasting tin      370mm x 320mm

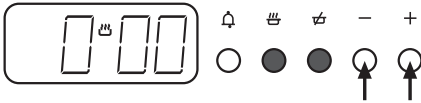
We recommend that you use good quality cookware. Poor quality trays and tins may warp when heated, leading to uneven baking results.

# Programmer / Clock

## The Programmer Buttons

- 🔔 minute minder
- 🍳 cook time
- 🕒 ready time
- minus
- + plus

## To set the "Time of Day"



Press the *cook time* and *ready time* buttons simultaneously, and keep the buttons depressed. Use the *plus* and *minus* buttons to set the time of day, eg; 12.00.

A (Auto) symbol goes out, cookpot symbol comes on.

## To select an alarm tone



Press the *minus* button to listen to the first tone.

Release the *minus* button and press it again to listen to the second tone, etc.

Releasing the *minus* button after the tone has sounded will automatically select that tone.

## Manual operation



To set the programmer to manual operation at any time (cancelling any automatic setting), press the *cook time* and *ready time* buttons simultaneously. The programmer must be set to manual before the appliance can be used manually.

## Setting the minute minder



Press the *minute minder* button, then use the *plus* and *minus* buttons to set the required time.

The minute minder (bell) symbol will appear on the display.

You can cancel the minute minder at any time by pressing the *minute minder* button and the *minus* button until the display returns to 0.00.

After setting, the display will revert to show the time of day, but you can press the *minute minder* button, and the display will show the minutes remaining.

The tone will sound at the end of the time set - to cancel the tone, press the minute minder button.

# Programmer / Clock

## **Semi-automatic cooking** (example)

You have started cooking a meal or dish in the oven, and want to set the time for the oven to switch off.

Press the *cook time* button, then use the *plus* and *minus* buttons to set the display to show the length of cooking time required, eg; 2 hours as shown **(1)**.

After setting, the display will revert to show the time of day, but you can press the *cook time* button and the display will show how much cooking time still remains on the clock.

Press the *ready time* button, and the display will show the actual time the oven is going to switch off, eg; 18.00 as shown **(2)**.

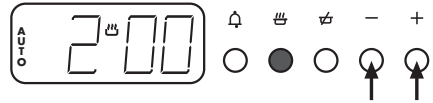
At the end of the cooking time, the alarm will sound, and the oven will automatically switch off.

To switch off the alarm, press the *minute minder* button **(3)**.

When the oven has switched off, **return the oven control knob to the "off" position**, and press the *cook time* and *ready time* buttons to return to manual operation **(4)**.

If you wish to cancel the automatic setting, or to cancel any remaining cooking time left on the clock before the alarm sounds, press the *cook time* and *ready time* buttons simultaneously. **(4)**.

**1.** A (Auto) symbol appears.



**2.**



**3.** A (Auto) symbol will flash.



**4.** A (Auto) symbol goes out.



# Programmer / Clock

## **Fully automatic cooking** (example)

For use when a delayed start time is required.

You want to set the length of cooking time, and the time for the oven to switch off. The programmer will automatically calculate the cooking start time.

## **Turn the oven control to the required temperature.**

(Oven will begin normal cooking mode.)

Press the *cook time* button, then use the *plus* and *minus* buttons to set the display to show the length of cooking time required, eg; 2 hours as shown **(5)**.

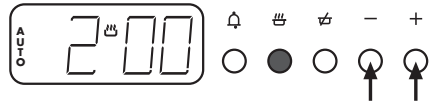
Press the *ready time* button, and the present ready time will be displayed. Using the *plus* and *minus* buttons you can set the display to show the actual time you want the oven to switch off, eg; 18.00 hours (6.00 pm) **(6)**.

The display will revert to show time of day.

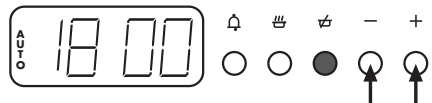
The oven will automatically switch on at the calculated start time of 16.00 hours (4.00 pm) **(7)**.

A single press of the *cook time* button shows the cooking time remaining before the oven automatically switches off **(8)**.

**5.** A (Auto) symbol appears.



**6.** The cookpot symbol will disappear from display.



**7.** The cookpot symbol will appear on display.



**8.**





## Programmer / Clock

---

The oven will automatically switch off at 18.00 hours (6.00 pm) and the alarm will sound (9).

To switch off the alarm press the *minute minder* button (10).

When the oven has switched off, return the oven control knob to the "off" position, and press the *cook time* and *ready time* buttons simultaneously (11) to return to manual operation.

If you wish to cancel the automatic setting before cooking has started, and return to manual operation, press the *cook time* and *ready time* buttons simultaneously (11).

To cancel any remaining cooking time left on the clock before the alarm sounds, press the *cook time* and *ready time* buttons simultaneously (11).

9. A (Auto) symbol will flash.



10.



11. A (Auto) symbol goes out.



# Automatic cooking - hints

---

## **Automatic cooking**

These notes below are to help you with using the automatic cooking facility. Please make sure that you read them carefully before you start using the automatic functions.

### **Do**

- Familiarise yourself with the use of the programmer.
- Select foods which are as fresh as possible, and as cold as possible - ie; preferably straight from the refrigerator.
- Choose foods which are suitable for cooking from a cold start, as some dishes will be affected by being left uncooked, at room temperature, perhaps for several hours, especially when the weather is hot.
- Make sure that meat, poultry and uncooked food are thoroughly thawed before placing them in the oven.
- Cover dishes with lids or foil, as they may be left standing in the oven for some time before cooking.

### **Do not**

- Never place warm food in the oven for delayed cooking - eg; stews prepared by frying meat first must be thoroughly cooled before placing in the oven.
- Do not cook dishes containing left over cooked meat or poultry, or pastry dishes with wet fillings, as they are not suitable for automatic cooking.
- Do not put food items intended for delayed cooking into a warm oven - allow the oven to cool before setting for delayed cooking.
- Do not over-fill dishes containing liquids, as they might boil over.
- Never leave food in the oven to cool slowly after cooking, serve immediately or refrigerate.

# CLEANING

**Caution:** Any cleaning agent used incorrectly may damage the appliance.

**Always let the oven cool before cleaning.**

Some cooking operations generate a considerable amount of grease. This, combined with spillage, can become a hazard if allowed to accumulate on the appliance through lack of cleaning. In extreme cases this may amount to misuse of the appliance and could invalidate your guarantee.

It is recommended that the appliance is cleaned after open roasting.

Do not use caustic, corrosive or abrasive cleaning products, products containing bleach, coarse wire wool or any hard implements, as they will damage the surfaces.

All parts of the appliance can be safely cleaned with a cloth wrung out in hot soapy water.

## **Painted, plastic & metal finish parts**

DOOR HANDLE, CONTROL KNOBS

Only use a clean cloth wrung out in hot soapy water.

## **Enamel surfaces**

OVEN CAVITIES, GRILL PAN & ROASTING TIN

We recommend that the appliance is cleaned after open roasting, and also after roasting at temperatures higher than gas mark 5. Use of a grid in a roasting tin when roasting will help reduce fat splashing.

**Caution:** Most types of cleaning agent will damage these surfaces.

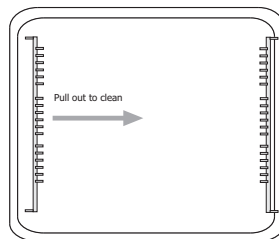
Only use a few drops of washing up liquid in hot water. Wipe the surfaces with a clean cloth wrung out in hot soapy water - if larger splashes of fat do not readily disappear, scrub the area with a nylon brush or nylon pan scourer and hot soapy water. Rinse well and heat the oven to dry the surfaces.

## **Chrome plated parts**

OVEN SHELVES & OVEN SHELF RUNNERS, GRILL PAN GRID

Do not use abrasives or polishes. Use a moist soap pad. These items may also be cleaned in a dishwasher.

*Note:* Oven shelf runners can be removed for cleaning. Grasp the runners, and slide out of the hanging holes as shown.



# CLEANING

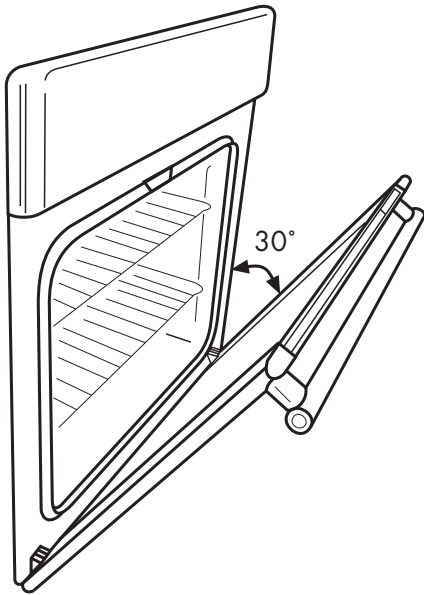
## **Glass parts**

### FACIA PANEL & DOOR PANELS

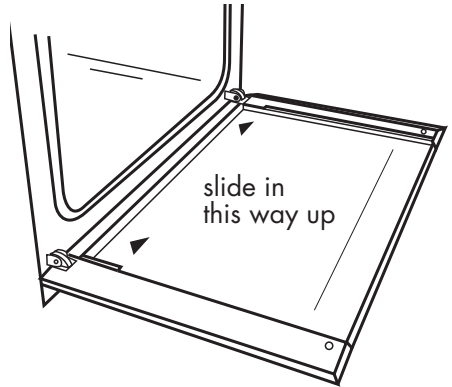
Use a mild cream cleaner. Rinse thoroughly and dry with a soft cloth. Do not use abrasive cleaners or polishes.

To remove the glass panel for cleaning, open the door to the door stop position (about 30° open), hold the top and bottom edges of the panel and slide out. Note that if the door is opened fully when removing the inner door glass panel, the door may spring shut.

**Important:** if the inner door glass panel is removed for cleaning, it must be replaced the right way up as shown, and pushed fully in to the stop position.



Door stop position



# CLEANING

---

**Stainless Steel surfaces** (stainless steel finish models only)

FACIA PANEL, HANDLES, DOOR PANELS

Only use a clean cloth wrung out in hot soapy water, and dry with a soft cloth.

Stubborn marks can be removed using stainless steel cleaner. We recommend that you clean the whole of the stainless steel area to maintain a uniform finish. Supplies can be purchased from the Customer Care Centre.

Do not use undiluted bleach or any products containing chlorides as they can permanently damage the steel.

Extra care should be taken when cooking food in salted water. Some foods are corrosive - eg; vinegar, fruit juices and especially **salt** - they can mark or damage stainless steel if they are left on the surface. Turn off and wipe any spillage immediately, taking care to avoid skin contact with any hot surface or spillage.

Sharp objects can mark the surface of stainless steel, but marks will become less noticeable with time.

To maintain the finish of the stainless steel, or to remove any greasy marks, wipe the stainless steel surface sparingly with a minimum amount of Baby Oil and kitchen paper.

Do not use cooking oils, as these may contain salt, which can damage the stainless steel surface.

## MICRO-COMPUTER

Lamp signal	Cause	Action
Steady green	Selected oven / grill has reached required temperature.	None - normal operation.
Green lamp & red indicator dial of main oven cavity flash.	Soft lockout.	Reset - turn control knob off / on.
Green lamp & red indicator dial for both ovens flash alternately left / right.	Hard lockout. (possible interference)	Reset - turn off / on at mains. If recurring, a service visit may be required.
Green lamp & red indicator dial for both ovens flash together.	Fault on micro-computer	Service visit required.

If in doubt, isolate the appliance from the gas and electrical supplies & contact Customer Care.

The 700GR double oven & grill unit uses a built in micro-computer to control the oven temperature. The computer also indicates when the ovens are ready for use, and oversees the gas supply, fan operation and ignition sequence ensuring that these are operating safely.

Should the micro-computer find any fault in the systems under its control, it will either;

- stop the ignition and gas valve operation or;
- if the cooker is already in use it will shut down the operation until the fault is rectified.

The cooling fan will, however, continue to run on for a while, and the oven lights remain on.

Electrical interference either from the mains or other electrical equipment may cause the micro-computer to indicate a fault when non exists, chiefly when first turning on.

It may be necessary to reset the micro-computer (by turning the electricity supply off at the mains plug) when first bringing the appliance into operation.

Opening oven doors whilst the micro-computer is running through it's checks may cause it to lock out.

### **In the event of a power cut**

1. Switch off the appliance at the socket.
2. When the power returns, see the 'Programmer / Clock section to 'Set the time of day'.

**In the event of the gas supply being disconnected** it may be necessary to make several lighting attempts before gas reaches the appliance.

# INSTALLATION INSTRUCTIONS

---

*Before you start:* Please read the instructions. Planning your installation will save you time and effort.

Prior to installation, ensure that the local distribution conditions (nature of the gas and gas pressure) and the adjustment of the appliance are compatible. The adjustment conditions are stated on the data badge.

This appliance is not connected to a combustion evacuation device. It shall be installed and connected in accordance with current installation regulation. Particular attention shall be given to the relevant requirements regarding ventilation.

In your own interest and that of safety, it is the law that all gas appliances be installed and serviced by competent persons. CORGI registered installers undertake to work to satisfactory standards.

Where regulations or standards have been revised since this handbook was printed, always use the latest edition.

## **In the UK the regulations and standards are as follows:**

1. Gas Safety Regulations (Installation and Use).
2. Building Regulations - Issued by the Department of the Environment.
3. Building Standards (Scotland) (Consolidated) - Issued by the Scottish Development Department.
4. The current I.E.E. Wiring Regulations.
5. Electricity at Work Regulations.
6. BS 6172 Installation of Domestic Gas cooking Appliances  
Also, for **LP Gas**, refer to BS 5482 Part 1, Part 2 or part 3 as relevant.
7. Installation & Servicing Instructions for this appliance.

For installation in countries other than the UK, the appliance must be connected in accordance with all local gas and electrical regulations. In the Republic of Ireland, Installers should refer to IS813 Domestic Gas Appliances.

## **Ventilation Requirements**

The room containing the appliance should have an air supply in accordance with current regulations:

- All rooms require an openable window, or equivalent, and some rooms will require a permanent vent as well.
- For room volumes up to 5m<sup>3</sup> an air vent of 100cm<sup>2</sup> is required.
- If the room has a door that opens directly to the outside, or the room exceeds 10m<sup>3</sup>, NO AIR VENT is required.
- For room volumes between 5m<sup>3</sup> and 10m<sup>3</sup> an air vent of 50cm<sup>2</sup> is required.
- If there are other fuel burning appliances in the same room, BS 5440: Part 2 should be consulted to determine the air vent requirements.
- This appliance must not be installed in a bed sitting room of less than 20m<sup>3</sup> or in a bathroom or shower room.

Windows and permanent vents should therefore not be blocked or removed without first consulting a CORGI gas installer.

**LP Gas only** - Do not install this appliance in a room below ground level. This does not preclude installation into rooms which are basements with respect to one side of the building, but open to ground level on the opposite side.

In the Republic of Ireland, refer to relevant Irish Standards for correct ventilation requirements.

**Failure to install appliances correctly is dangerous and could lead to prosecution.**

# INSTALLATION INSTRUCTIONS

**Before you start** - please read the instructions carefully - planning your installation will save you time and effort.

Look at the different ways the appliance can be installed - as shown on the following pages - and plan the installation to suit your situation.

Leave the appliance in the base tray packaging until you are ready to install it. When you remove the appliance from the base tray packaging, take care not to damage it.

Whilst every care is taken to eliminate burrs and raw edges from this product, please take care when handling - we recommend the use of protective gloves.

Please note that the weight of the appliance is approximately 42kg (unpacked). Take care when lifting in into the housing unit - always use an appropriate method of lifting.

This appliance must be installed only at low level - ie; under a worktop. The controls have been designed for viewing at a low level, and it should therefore not be installed at high level.

Please note that all dimensions and sizes are nominal, some variation is to be expected.

If this appliance is to be installed near to a corner where the adjacent cabinets run at right angles forward of the appliance, there must be a gap of at least 90 mm between the appliance and the cabinets, to prevent overheating of the cabinets.

**Important:** Do not modify the outer panels of this appliance in any way.

**Fixing screws** - The fixing screws are in a polythene bag in the oven pack. Depending on the method of installation, some of the screws may not be needed.

## **Step 1: Prepare for installation**

**There are 3 methods of installing the appliance:**

**Method 1:** Into a space between two base units, ie; without a housing unit.

**Method 2:** Into a housing unit, with an internal height of less than 710mm, which can be modified to obtain the required dimensions.

**Method 3:** Into a housing unit, with an internal height of 710mm or more.

If you have a non standard size of cabinet which leaves a gap above or below the appliance, you may be able to buy a trim kit (to fill in the gap) from the supplier of your cabinets.

Quantity	Colour	Description	For Fixing:
6	Silver	No 8 x 12mm long Self tapping screw	Runners to appliance
12	Black	No 8 x 12mm long Chipboard screw	Runners and sidetrims to cabinet or housing
4	Black	No 8 x 25mm long Chipboard screw	Appliance to cabinet
2	Silver	No 8 x 12mm long Self tapping screw	Appliance to sidetrims



# INSTALLATION INSTRUCTIONS

---

**Method 1:** Without housing unit  
(between 2 base units)

Before installing the appliance, check the internal dimensions as shown.

The space for the appliance must be clear of obstruction. You may have to cut into or remove any rear cross members to obtain the 550mm minimum depth.

## The Fixing Kit

Should you need a replacement fixing kit please call:

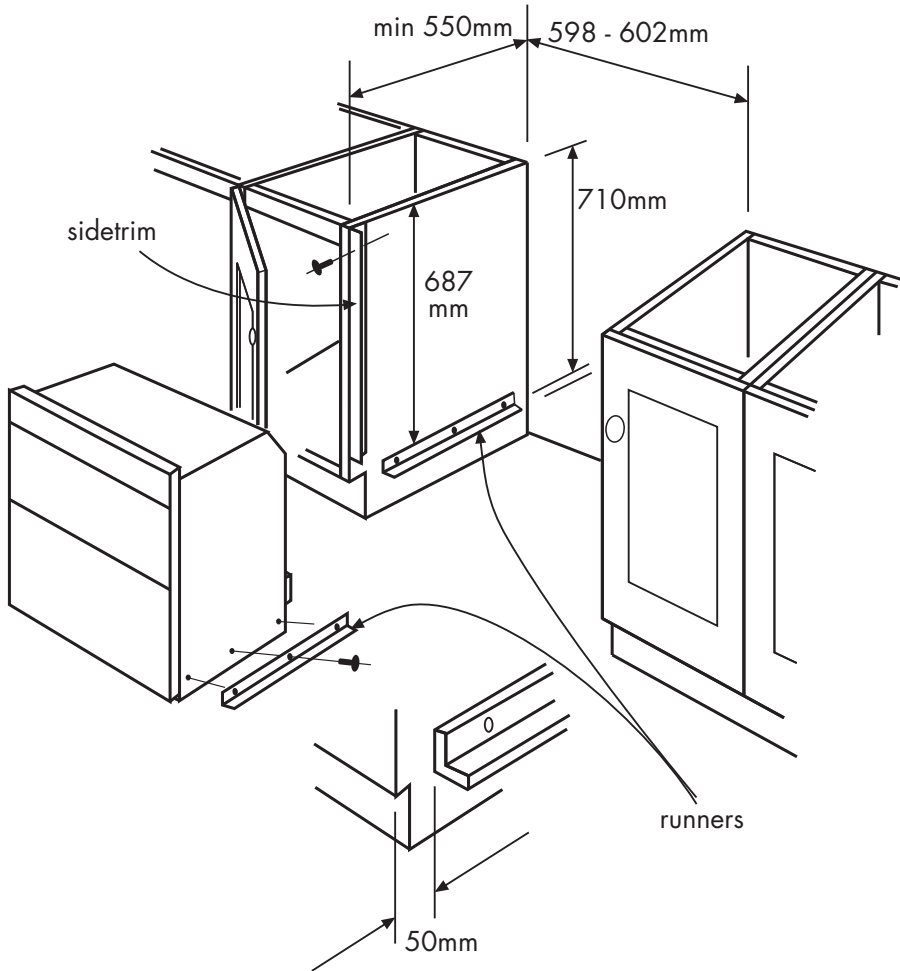
**0870 458 9961** and order part number: **01 28287 00**.

In the fixing kit you will find 2 side trims (687mm long) and 4 runners (420mm long). The fixing screws are in a polythene bag in the oven.

1. Take the 6 No 8 x 12mm (silver) self tapping screws from the polythene bag, and use them to fit one runner to each side of the appliance.
2. Make sure they are the right way up as shown.
3. Take one of the side trims, hold it against the side of the base unit, and mark off 687mm from the top edge of the base unit, to the top edge of the runner.  
*Note:* This ensures a 5 - 8mm clearance from the underside of the worktop to the top of the appliance.
4. Measure 50mm from the front edge of the base units, to mark the front edge of the runners.
5. Take 6 of the No 8 x 12mm (Black) chipboard screws and screw the runners into opposition the right way up as shown.
6. Fit the side trims to be flush to the top and front edges of the base units, using the remaining 6 No 8 x 12mm (Black) chipboard screws.

# INSTALLATION INSTRUCTIONS

**Method 1:** Without housing unit (between 2 base units)  
**Shown with fixing kit**

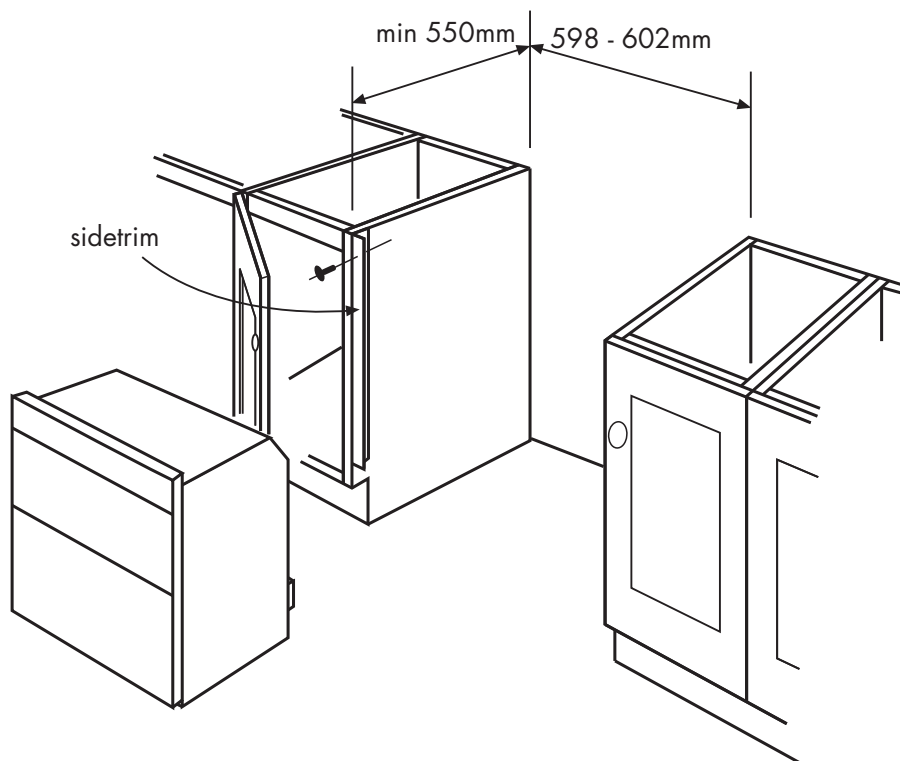


# INSTALLATION INSTRUCTIONS

---

**Method 1:** Without housing unit (between 2 base units)

**Shown without fixing kit**



# INSTALLATION INSTRUCTIONS

---

**Method 2:** Housing unit with internal height less than 710mm.

*Note:* You will not need the 2 side trims (687mm long) or the appliance runners for this installation. You will need the 2 runners to fix to the adjacent cabinets.

## ***Before you start;***

Before removing the bottom shelf or modifying the housing unit, make sure that it will remain structurally sound, eg; by fixing to adjacent cabinets, floor or worktop.

You may have to cut into or remove any rear cross members to obtain the 550mm minimum depth.

To obtain the required 710mm height, you may have to lower or remove the bottom shelf - remove any cross rails and reposition brackets.

## **To fix the runners (if required)**

1. Take the side trims, hold it against the side of the base unit, and use it to mark off the 687mm from the top edge of the side unit, to the top edge for the runner.

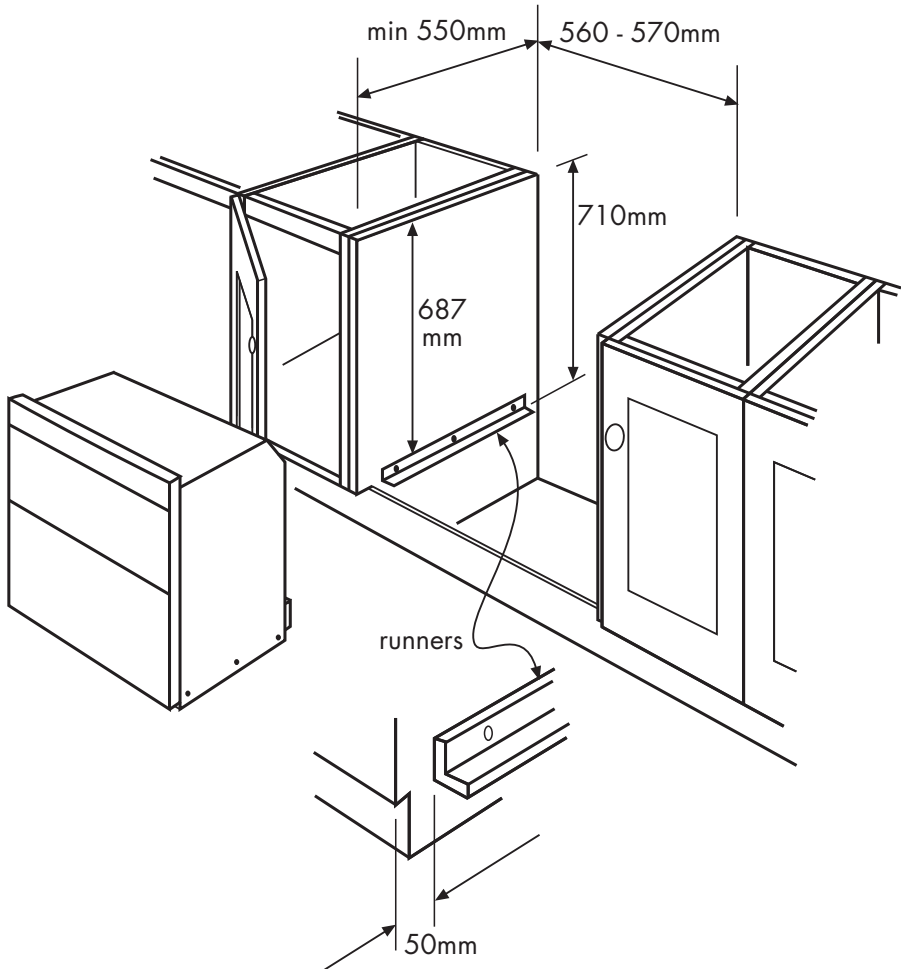
*Note:* This ensures a 5 - 8mm clearance from the underside of the worktop to the top of the appliance.

2. Measure 50mm from the front edges of the base units, to mark the front edge for the runners.
3. Take 6 of the No 8 x 12mm (Black) chipboard screws and screw the runners into position the right way up as shown.
4. If necessary, adjust the height of the plinth to just below the bottom edge of the runners.

If you require a replacement fixing kit please call **0870 458 9961** and order part number **01 28287 00**.

# INSTALLATION INSTRUCTIONS

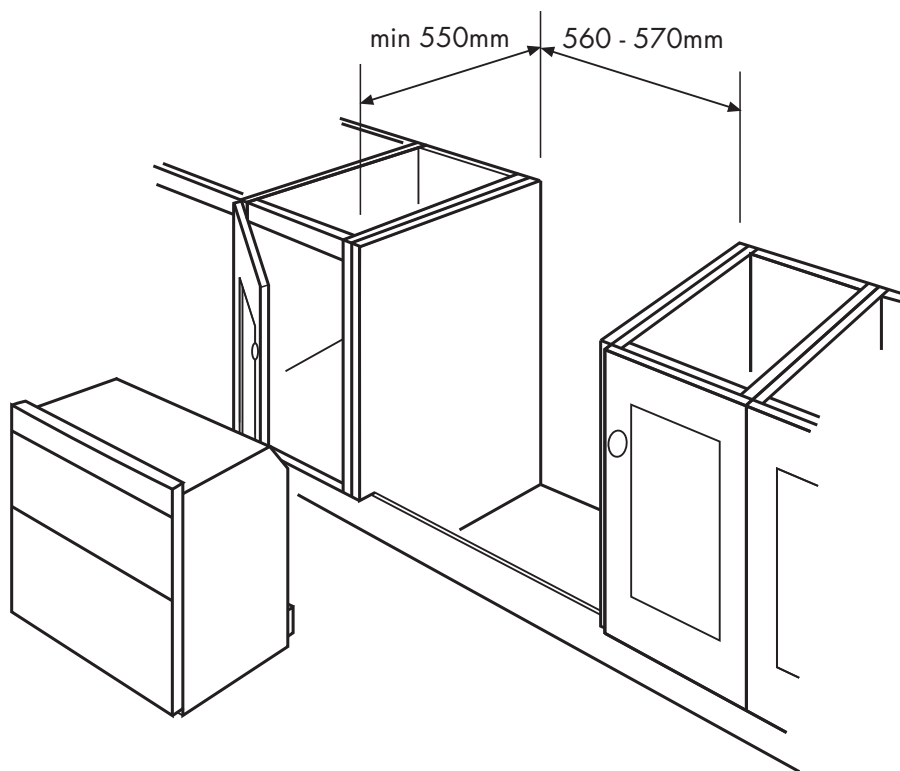
**Method 2:** Housing unit with internal height less than 710mm  
**Shown with fixing kit**



# INSTALLATION INSTRUCTIONS

---

**Method 2:** Housing unit with internal height less than 710mm  
**Shown without fixing kit**

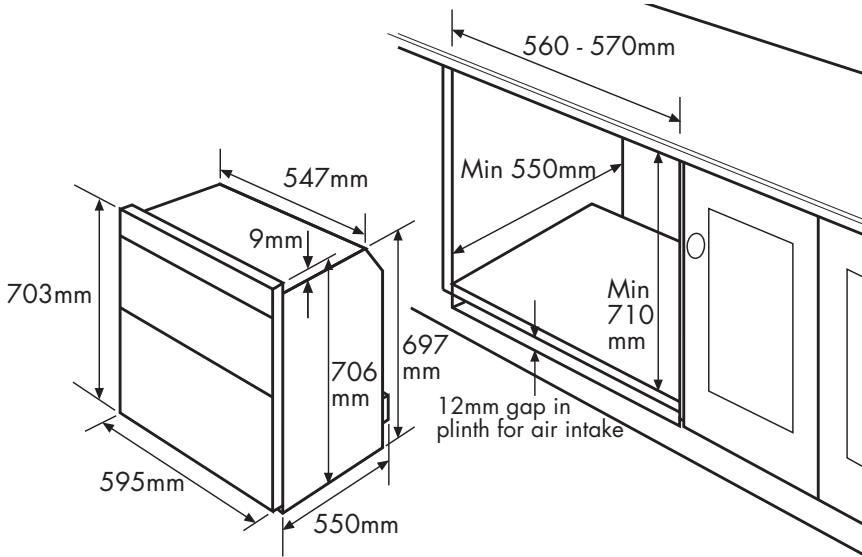


# INSTALLATION INSTRUCTIONS

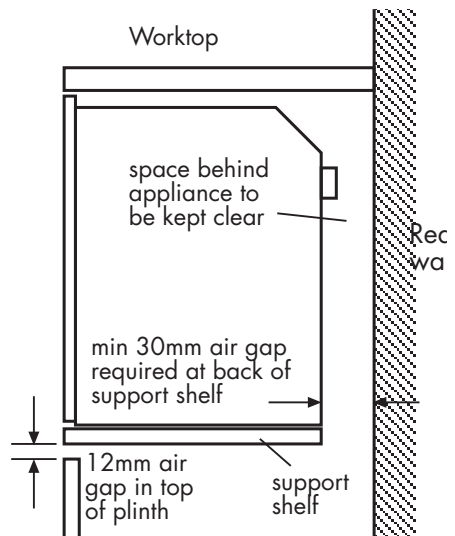
## **Method 3:** Housing unit with internal height 710mm or more

*Note:* You will not need the 4 runners and 2 trims that are packed with the oven for this installation.

Remove any fixings that may prevent entry of the oven into housing, or obstruct the gas inlet pipe. The cabinetry should be kept structurally sound by fixing to adjacent cabinets, floor or worktop.



1. When installed in a typical 600mm deep built in housing unit, the false back should be removed from the housing unit to provide the necessary depth for installation.
2. When the false back is removed, it is normally the case that the support shelf for the appliance leaves a gap between the back edge and the wall of approximately 80mm.
3. If no gap occurs between the back edge of the shelf and the wall behind the unit, you must create a gap of at least 30mm by shortening the shelf.



# INSTALLATION INSTRUCTIONS

## **Step 3: Connect to the electricity supply**

This appliance must be connected by a competent person, using fixed wiring via a double pole switched fused spur outlet, with a contact separation of 3mm at all poles.


We recommend that the appliance is connected by a qualified electrician, who will comply with the I.E.E. and local regulations.

**Warning:** This appliance must be earthed.

The wires in the mains lead are coloured in accordance with the following code:

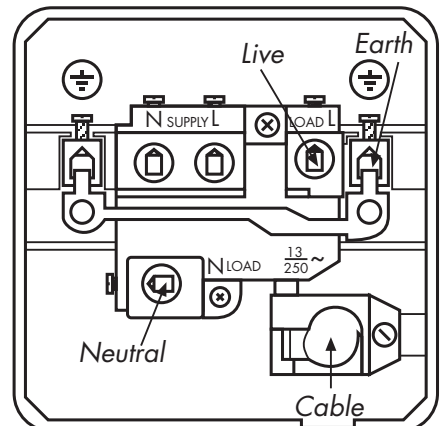
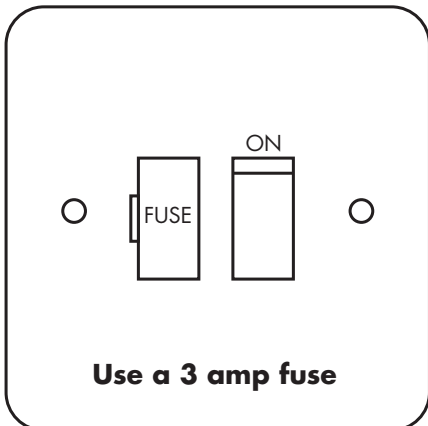
- Green & Yellow = earth,
- Blue = neutral,
- Brown = live.

As the colours of the wires in the mains lead for the appliance may not correspond with the coloured markings identifying the terminals in your spur box, proceed as follows:

1. The wire which is coloured green and yellow must be connected to the terminal marked **E** (Earth)  or coloured green.
2. The wire which is coloured blue must be connected to the terminal marked **N** (Neutral) **LOAD** or coloured Black.
3. The wire which is coloured brown must be connected to the terminal marked **L** (Live) **LOAD** or coloured Red.

If the supply cord is damaged, obtain a special cord from the Customer Support Helpline, which must be fitted by a qualified person.

## **Typical example of a double pole fused spur outlet**

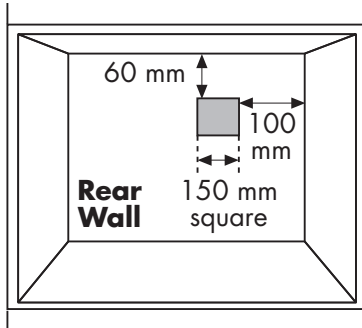




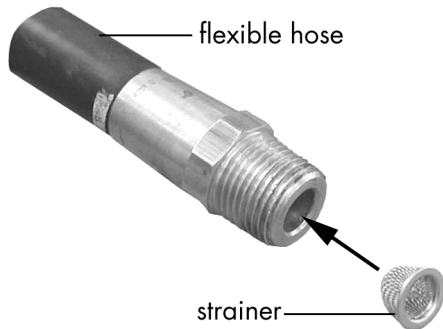
# INSTALLATION INSTRUCTIONS

## Step 3: Connect to the gas supply

1. The inlet to the appliance is pipe thread ISO RP ½" internal situated at the rear top right corner.
2. Fit the bayonet connection to the wall in the shaded area as shown.



3. Fit the strainer (supplied with the appliance) to the flexible hose inlet as shown, making sure that it is pushed fully into place.



4. Use a 900mm - 1125mm length of flexible connector and make sure it does not block the fan inlet and cannot come into contact with moving parts of the cabinetry - eg; drawers and doors.

5. **Natural Gas** - Flexible connections should be to BS 669. Parts of the appliance likely to come into contact with a flexible connector have a temperature rise less than 70°C.
6. Make sure all connections are gas sound.

**Important:** - ensure that you route all mains and electrical cables and flexible tubing well clear of any adjacent heat source, such as an oven grill or hob.

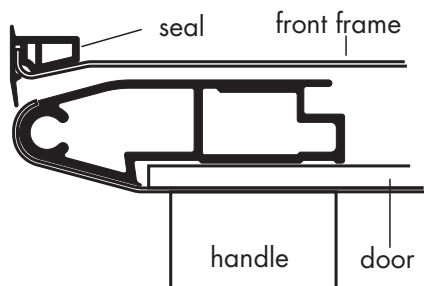
Ensure that all pipe work is of the correct rating for both size and temperature.

# INSTALLATION INSTRUCTIONS

## **Step 4: Check edging strip**

The edging strip is factory fitted to the front side edges of the appliance front frame. This strip provides the cabinetry with extra protection from any escape of heat.

When installing the product, ensure that the edging strip is correctly located on the outer edges of the front frame, before positioning and securing the appliance to the cabinet.



When securing the appliance, the fixing screws provided are driven through the edging strips into the cabinet - the seal will straighten up and sit flush to the cabinet when the screws are fully home.

## **Step 5: Insert appliance and secure in position**

*Note:* The unit housing the appliance must be appropriately fixed.

**Method 1:** Care must be taken to ensure the appliance runners are sufficiently engaged over the top of the runners on the base units.

**Method 2:** Insert appliance into

cabinet - ensure that it is engaged over the top of the side runners.

**Method 3:** Insert appliance into cabinet.

*To secure:*

Make sure the appliance is centrally located.

**Method 1:** Open the grill door and you will see the 2 fixing holes at the top sides of the front frame. Drill through the fixing holes into the side trims with a 3.2mm diameter drill. Secure the appliance to the side trims with the 2 remaining No 8 x 12mm (Silver) self tapping screws.

**Methods 2 & 3:** Open the grill door and secure appliance into position using 2 No 8 x 25mm (Silver) chip-board screws through the front frame.

## **Step 6: Installing a hob above the appliance**

Where the appliance is installed under a worktop, with a hob installed above it, the installation instructions for the hob must be read in conjunction with these instructions.

Installing a gas hob above the appliance; Care must be taken to ensure the hob inlet pipe is as close to the back wall as possible, so it doesn't obstruct the appliance or the appliance inlet pipe.

If a flexible inlet pipe is used, it must hang vertically and not be trapped between the oven and rear wall.

# INSTALLATION INSTRUCTIONS

---

## **Step 7: Commissioning**

### **Burner aeration**

All burners have fixed aeration and no adjustment is possible.

### **Pressure setting**

Natural Gas - G20 @ 20 mbar

The pressure test point is on the manifold inlet block.

After setting gas pressure, re-tighten the test point screw, taking care not to over tighten. Ensure that test point screw is gas sound, using a non-corrosive gas leak detecting fluid.

### **Programmer**

The programmer must be set to manual operation before the oven can be used manually - see the 'Programmer / Clock' section.

### **Electrical Systems Check**

In the event of an electrical fault, the preliminary electrical system check (earth continuity, short circuit, polarity and resistance to earth) must be carried out. There is also a Fault Finding Section in this book.

### **Ignition**

The automatic ignition will continue to spark for a short time after the burner flame has lit, until the flame is established.

### Grill

1. The door must be open for the grill burner to ignite.
2. Turn the Top Oven / Grill control knob clockwise to the grill setting.  
**Do not push in.**
3. Close the door and check that the burner goes out. The grill burner will re-ignite when the door is opened.

### Top Oven

1. Close the oven door and turn the control knob to the required setting, the burner will ignite. **Do not push in.**

### Main Oven

1. Close the oven door and turn the control knob to the required setting, the burner will ignite. **Do not push in.**

*Note:* At new installations, it may be necessary to make several attempts at lighting before gas reaches the oven, as only a small amount of gas is allowed through at each lighting attempt.

### **Before leaving the installation**

Show the customer how to ignite the ovens and grill and give them this book. Thank you.

# FAULT FINDING

---

## Method of operation

When the control knob is rotated from the 'OFF' position, a microswitch closes and allows the gas control solenoids to be energised; the same movement of the control rotates an electrical potentiometer and lights a red LED.

The micro-computer on the main control board uses the resistance set at the potentiometer to determine the user's requirements - ie; oven or grill and oven temperature asked for.

The oven temperature is sensed by a thermistor at the rear of the oven - the computer compares the electrical resistance of this with that set on the potentiometer, and controls burner accordingly.

Other inputs to the micro-computer are signalled by door switches, the timer / programmer unit and an air flow checking pressure switch.

The oven fan, cooling fan, and lamps are operated at mains voltage, the solenoid valves, and controls at 24V. The igniter high voltage coils are mounted on the main PCB.

Upon applying mains voltage, the micro-computer makes a series of checks of the air flow and flame detector before allowing start up.

## Electrical faults

These may be either component failure or wiring / connector faults. Should any disconnections be made, it is important that they be re-connected exactly as before or the computer will lock out; poor connections are the most common fault. It is most important that earth wires (green) are all connected and earth screws tight.

## There are two forms of micro-computer lockout

Hard lockout (HLO); for instance, air flow failure. This is indicated by the green and red lamps of both ovens flashing alternately left / right. The cooling fan may continue to run for a while. Hard lockout can only be cancelled by turning off the mains electricity supply.

Soft lockout (SLO), for instance, re-ignition failure, will cause the green and red lamps of the affected cavity to flash - the cooling fan may run on, the oven fan will not run on. To cancel soft lockout, turn off the control knob.

Should the oven temperature not reach 40°C within approximately four minutes, the computer will consider that a fault has occurred and go to lockout.

## FAULT FINDING

Typical faults assuming all wiring is correct  
(ensure programmer is set to manual):

Symptom	Fault
HLO on switching On mains	Component fault on main PCB, incorrect wiring
HLO on turning On oven/grill	Fault on control board / potentiometer, incorrect wiring, open circuit solenoid.
Oven start up, burner lights and immediately goes out, ready light on	Short circuit thermistor assembly. <i>Note:</i> at room temperature, thermistor resistance is approximately 100 k $\Omega$ .
Oven fails to ignite (check that electrode sparks correctly)	<ol style="list-style-type: none"> <li>1. Incorrectly positioned or open circuit spark electrode (note both grill and oven electrodes must be connected).</li> <li>2. Faulty solenoid valve.</li> <li>3. Gas not at appliance.</li> <li>4. Blocked injector jet.</li> </ol>
Oven goes out before set temperature is reached	<ol style="list-style-type: none"> <li>1. Incorrectly adjusted spark electrode (low flame current).</li> <li>2. Low gas pressure.</li> <li>3. Incorrectly positioned potentiometer</li> <li>4. If oven goes out after approximately 4 mins, this is due to a disconnected or open circuit thermistor.</li> </ol>
Oven fails to re-ignite after set temperature is reached	<ol style="list-style-type: none"> <li>1. Incorrectly set spark electrode.</li> <li>2. Low Gas Pressure.</li> </ol>
Oven fan fails to start burner does not light	<ol style="list-style-type: none"> <li>1. Open circuit in programmer.</li> <li>2. Component failure on main board</li> <li>3. Component failure at control board.</li> </ol>

## FAULT FINDING

<b>Symptom</b>	<b>Fault</b>
Oven fan does not start burner lights, oven lamp lights	Faulty fan or connections.
Oven fan does not start lamps do not light	Component failure on main board.
Cooling fan fails to start 'ON' LED fails to light cooling fan fails to start	<ol style="list-style-type: none"> <li>1. Faulty fan.</li> <li>2. Faulty programmer.</li> <li>3. Faulty component on either board.</li> <li>4. Faulty mains transformer.</li> <li>5. Miss set or faulty potentiometer on control board.</li> <li>6. Faulty transformer or mains supply.</li> <li>7. Faulty microswitch on control board.</li> </ol>
Temperature exceeds set level	Damaged or disconnected thermistor probe. Oven goes to HLO after four / five minutes.
Appliance will not work, green & red lamps for both ovens flash together	Faulty micro-computer.

Grill faults are generally similar to those listed for the oven.

If the cooling fan starts and runs, the electrodes should spark and the solenoid valves can be heard to open. If the spark electrodes are correctly positioned and no spark occurs, there may be an air detector pressure switch fault, one faulty solenoid valve or no gas supply.

# TECHNICAL DATA

## Data Badge

Abbreviated data badge located on front frame. Full data badge located on rear panel.

## Gas Category

This appliance is factory set for use on Natural Gas only.

Natural Gas - I2H (G20 @ 20mbar)

## Pressure Test Point

Manifold inlet block

## Pressure Setting

Natural Gas - G20 @ 20 mbar

## Ignition

Automatic re-ignition system

## Oven / Grill Light(s)

4 x 25W (2 in each oven)

## Electrical supply

220 - 240V ~ 50Hz, 230W

## Grill

*Burner:* Surface combustion.

*Spark gap:* 3 - 4mm.

## Top Oven

*Burner:* Rotary surface combustion.

*Spark gap:* 3 - 4mm.

## Main Oven

*Burner:* Rotary surface combustion.

## Appliance class

Class 3, Built-In Oven & Grill Unit

## Countries of Destination

GB - Great Britain, IE - Ireland

Burner	Nominal Rate Qn	Injector size
		Nat Gas G20
Grill	<b>2.8kW</b>	<b>1.28</b>
Top Oven	<b>1.8kW</b>	<b>Amal Size 130</b>
Main Oven	<b>2.4kW</b>	<b>Amal Size 180</b>
Total Heat Input $\sum \sum Q_n$	<b>5.2kW</b>	

# Stoves Customer Care

---

Please keep this handbook in a safe place as the information inside may be of use should you sell, or pass on the appliance. Please fill in the model number and serial number in the spaces provided below as they will assist us should you need to call.

## 0871 22 22 502

When you dial this number you will hear a recorded message and be given a number of options. This indicates that your call has been accepted and is being held in a queue. Calls are answered in strict rotation as our Customer Care Representatives become available.

### Opening Hours for Customer Care Centre

Monday to Friday	8am - 8pm
Saturday	8.30am - 6pm
Sunday	10am - 4pm

Enter appliance numbers here for future reference:

Model No									
4	4	4							
Serial No									

These numbers can be found on your appliances data badge.  
Outside the UK and Northern Ireland, refer to your local supplier.