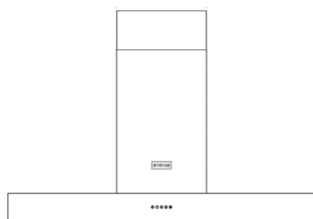
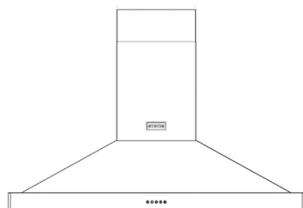


STOVES



Stoves Cooker Hood User Manual

Contents

Introduction	2
Safety Precaution	3
Installation Instructions	4
Using the Hood	6
Care and Cleaning	7
Technical Data	8
Stoves Customer Care	10

Introduction

Thank you for buying this high quality hood from Stoves.

Our policy is one of constant development and improvement. Strict accuracy of illustrations and specifications is not guaranteed. Modification to design and materials may be necessary subsequent to publication.

Before using the appliance for the first time, remove all packaging and protective polythene film.

This appliance has been designed for use as an exhausting (air evacuation to the outside) or filtering (indoor air re-cycling) hood.

Note: This appliance does not come supplied with a ducting kit, or carbon filters. Details for ordering these parts are at the back of the handbook.

Because of the complexity and weight of the appliance, it is recommended that the installation be carried out by specialist personnel.

The manufacturer declines all responsibility for damage caused by improper or installation.

Please read this handbook carefully and keep it for future reference.

Your first year Guarantee

To fulfil the conditions of your guarantee, this appliance must be correctly installed and operated in accordance with these instructions and only be used for normal domestic purposes.

Please refer to your guarantee card for further details.

Please note that the guarantee and Service availability only apply to the UK and Republic of Ireland.

SAFETY PRECAUTION

1. Take care when the cooker hood is operating simultaneously with an open fireplace or burner that depends on the air in the environment. The cooker hood removes the air from the environment which a burner or fireplace needs for combustion.

The negative pressure in the environment must not exceed 4Pa (4x10⁻⁵ bar). Provide adequate ventilation in the environment for a safe operation of the cooker hood. Follow the local laws applicable for external air evacuation.

Before connecting the model to the electricity network review the data plate (positioned inside the appliance) to confirm that the voltage and power correspond to the network and the socket is suitable. If in doubt ask a qualified electrician.

If the power supply cable is damaged it must be replaced. This can be obtained direct from the manufacturer. This device must be connected to the supply network through either a plug fused 3A or hardwired to a 2 phase spur protected by 3A fuse.

2. Warning!

In certain circumstances electrical appliances may be a danger hazard.

- A) Do not check the status of the filters while the cooker hood is operating.
- B) Do not touch bulbs or adjacent areas during or straight after prolonged use of the lighting installation.
- C) Flambè cooking is prohibited underneath the cooker hood.
- D) Avoid free flame as it is damaging for the filters and a fire hazard.
- E) Do not leave food frying unattended as the overheated oil may become a fire hazard.
- F) Disconnect the electrical connection prior to any maintenance.
- G) This appliance is not intended for use by young children or infirm persons without supervision.
- H) Young children should be supervised to ensure they do not play with the appliance.
- I) There shall be adequate ventilation of the room when the hood is used at the same time as appliances burning gas or other fuels other than electric.
- L) There is a risk of fire if cleaning is not carried out in accordance with the instructions.

This appliance conforms to the European Directive EC/2002/96, Waste Electrical and Electronic Equipment (WEEE).

The symbol on the product or on the accompanying paperwork indicates that the appliance should not be treated as domestic waste, but should be delivered to a suitable electric and electronic appliance recycling collection point.

Follow local guidelines when disposing of waste.

For more information on the treatment, re-use and recycling of this product, please contact your local authority, domestic waste collection service or the retailer where the appliance was purchased.

INSTALLATION INSTRUCTIONS

- Assembly and electrical connections must be carried out by specialised personnel.
- Wear protective gloves before proceeding with the installation.
- Electric Connection:
 - The appliance has been manufactured as a class II, therefore no earth cable is necessary. The power point must be easily accessible after the installation of the appliance. If the appliance is equipped with power cord without plug, a suitably dimensioned omnipolar switch with 3 mm minimum opening between contacts must be fitted between the appliance and the electricity supply in compliance with the load and current regulations.
 - The connection to the mains is carried out as follows:
BROWN = L line
BLUE = N neutral.
- If the hob is electric, gas, or induction, the minimum distance between the same and the lower part of the hood must be at least 65 cm. If a connection tube composed of two parts is used, the upper part must be placed outside the lower part.
Do not connect the cooker hood exhaust to the same conductor used to circulate hot air or for evacuating fumes from other appliances generated by other than an electrical source.
Before proceeding with the assembly operations, remove the anti-grease filter(s) (Fig.1) so that the unit is easier to handle.
 - In the case of assembly of the appliance in the suction version prepare the hole for evacuation of the air.

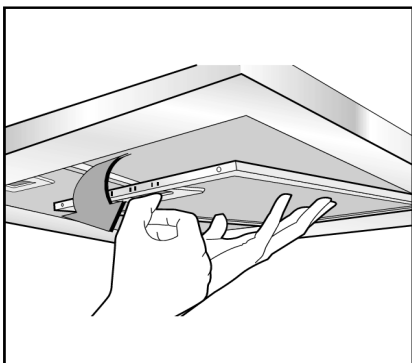


Fig.1

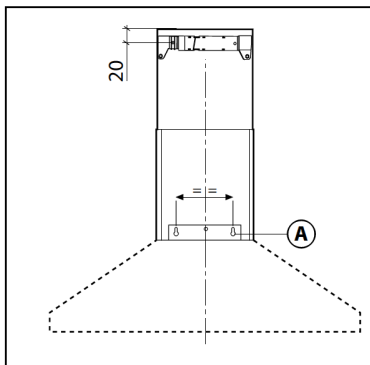


Fig.2

- We recommend the use of an air exhaust tube which has the same diameter as the air exhaust outlet hole. If a pipe with a smaller diameter is used, the efficiency of the product may be reduced and its operation may become noisier.
- If your appliance has been designed for use in habitations supplied with a centralised suction device perform the following operations:
 - The switch controls opening and closure of a valve using a thermo electrical device. By placing the switch in the ON position, after a minute, the valve opens rotating 90° allowing suction of the stale air. By placing the switch in the OFF position, the valve closes after 100 seconds.
- Fixing to the wall:
 - Drill the holes A respecting the distances indicated (Fig.2).
 - Fix the appliance to the wall and align it in horizontal position to the wall units. When the appliance has been adjusted, definitely fix the hood using the screws A (Fig.3). For the various installations use screws and screw anchors suited to the type of wall (e.g. reinforced concrete, plasterboard, etc.).
 - If the screws and screw anchors are provided with the product, check that they are suitable for the type of wall

on which the hood is to be fixed.

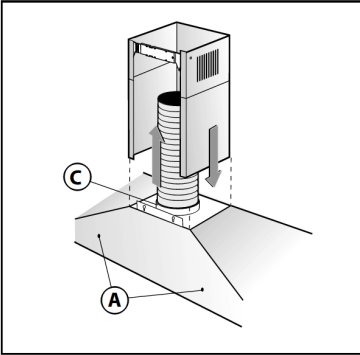


Fig.3

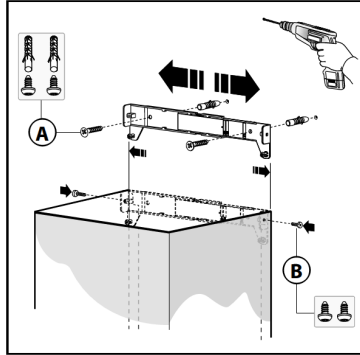


Fig.4

- **Fixing the decorative telescopic flue:**

Arrange the electrical power supply within the dimensions of the decorative flue. If your appliance is to be installed in the ducting version or in the version with external motor, prepare the air exhaust opening. Adjust the width of the support bracket of the upper flue (Fig.4). Then fix it to the ceiling using the screws A (Fig.4) in such a way that it is in line with your hood and respecting the distance from the ceiling indicated in Fig.2. Connect the flange C to the air exhaust hole using a connection pipe (Fig.5). Insert the upper flue into the lower flue and rest above the frame. Extract the upper flue up to the bracket and fix it with the screws B (Fig.4). To transform the hood from a ducting version into a filtering version, ask your dealer for the charcoal filters and follow the installation instructions.

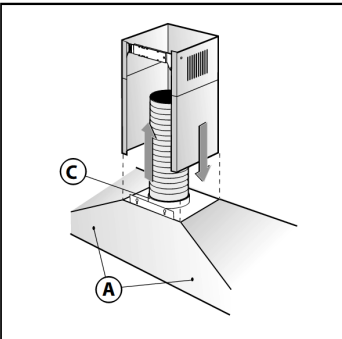


Fig.5

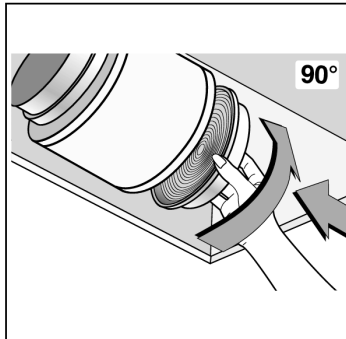


Fig.6

- **Filtering version:**

Install the hood and the two flues as described in the paragraph for installation of the hood in ducting version. To assemble the filtering flue refer to the instructions contained in the kit. If the kit is not provided, order it from your dealer as accessory. The filters must be applied to the suction unit positioned inside the hood. They must be centred by turning them 90 degrees until the stop catch is tripped (Fig.6).

USING THE HOOD

Controls



Lamp



– Depress to turn on/off light

Speed –select speed to suit cooking conditions



Low - Light frying/boiling. Depress this button to enter into low speed and again to turn off motor.



Medium - Frying/wok cooking/heavy boiling. Depress this button to enter into medium speed and again to turn off motor



High - Grilling, intensive frying and wok cooking. Depress this button to enter into high speed and again to turn off motor



Booster - Depress this button to enter into highest speed and again to turn off motor.

Booster function

This hood also has a booster function. To activate the booster, press button B while the hood is in use and it will increase speed for 8 minutes, before slowing down again.

We recommend that you switch on the hood for a few minutes before you start cooking, and then leave it running for approximately 8 minutes afterwards to ensure that all odours are extracted.

The appliance is not to be used by children or persons with reduced physical, sensory or mental capabilities, or lack of experience and knowledge, unless they have been given supervision or instruction.

WARNING - Accessible parts may become hot when used with cooking appliances. To illuminate the cooking area underneath the hood, push the light control button in to the "on" position. To switch off, press again to return to the "off" position.

To operate the hood, press the button for the required speed - select: **1** low, **2** medium, or **3** high speed. The neon indicator light will light up to show when the fan is operating. To switch off, press the "off" button.

CARE & CLEANING

Before cleaning or maintenance, switch off the electricity supply.

Replacing the LED Lights

If the appliance version is with LED lamps, the intervention of a specialised technician is necessary to replace them

Outer Casing

All external parts of the outer casing can be safely cleaned with a clean cloth wrung out in hot soapy water. Do not use caustic pastes, abrasive cleaning powders, wire wool, hard implements, or any products containing chlorides as they will damage the surfaces.

Stubborn marks can be removed using a stainless steel cleaner. We recommend that you clean the whole of the stainless steel area to maintain a uniform finish.

Sharp objects can mark the surface of stainless steel, but marks will become less noticeable with time.

To maintain the finish of the stainless steel, or to remove any greasy marks, wipe the stainless steel surface sparingly with a minimum amount of Baby Oil and kitchen paper.

Do not use cooking oils, as these may contain salt, which can damage the stainless steel surface.

Before cleaning or maintenance, switch off the electricity supply.

To avoid any fire risk, the following cleaning instructions must be followed:

Grease Filters

The grease filters absorb grease and dust from cooking fumes, which would otherwise damage the inside of the hood.

The grease filters should be removed and cleaned regularly - with normal use, this should be every 2 months.

To clean use warm soapy water, or wash in a dishwasher. The grease filters may slightly change colour following washing, however this does not affect their performance.

Important: Frequent washing is essential to prevent a build-up of grease in the filters which could become a fire hazard.

1. Remove the filters from the hood.
2. Carefully wash the grease filters in hot soapy water and dry with a clean towel.
3. Refit the clean filters.

Carbon Filters (models installed for use with the re-circulation method only)

The carbon filters absorb cooking odours and need renewing after about 6 months of normal use. Replacement carbon filters can be obtained from our Customer Care (details at the rear of the handbook).

Saturation of the activated charcoal in the filter will depend on how often the hood is used, the type of kitchen and the regularity of cleaning the grease filter.

The carbon filters cannot be washed - renew every 6 months.

TECHNICAL DATA

Electricity Supply

220 - 240V ~ 50Hz

Classification

class I

Noise Level (External Venting)

Flat Hood

Booster	72 dBA
Position 3	65 dBA
Position 1	52 dBA

Chimney Hood

Booster	72 dBA
Position 3	65 dBA
Position 1	52 dBA

Light Lulbs

2 x 1.5W LED

Motor Rating

250W

Grease Filters

3 Off - Aluminium panel

Note: After cleaning, grease filters may lose their colour slightly - this does not affect their performance.

Carbon Filters

2 Off - Available as Spares

Extraction Rate (External)

Flat Hood

Booster	805.8 m3/H
Position 3	605.7 m3/H
Position 1	280.0 m3/H

Chimney Hood

Booster	805.8 m3/H
Position 3	605.7 m3/H
Position 1	280.0 m3/H

TECHNICAL DATA

Information for domestic range hoods

	Symbol	Value	Unit
Model identification			
Annual Energy Consumption	AEC_{hood}	57	kWh/a
Time increase factor	f	0.9	
Fluid Dynamic Efficiency	FDE_{hood}	31.5	
Energy Efficiency Index	EEI_{hood}	52.7	
Measured air flow rate at best efficiency point	Q_{BEP}	404.1	m^3/h
Measured air pressure at best efficiency point	P_{BEP}	459	Pa
Maximum air flow	Q_{max}	605.7	m^3/h
Measured electric power input at best efficiency point	W_{BEP}	163.4	W
Nominal power of the lighting system	W_L	3	W
Average illumination of the lighting system on the cooking surface	E_{middle}	110	lux
Measured power consumption in standby mode	P_s	0.29	W
Measured power consumption off mode	P_o	N/A	W
Sound power level	L_{WA}	67	dB

STOVES CUSTOMER CARE

Please keep this handbook in a safe place.

Please fill in the model number and serial number in the spaces provided below as they will assist us should you need to call.

0844 815 3740

When you dial this number you will hear a recorded message and be given a number of options. This indicates that your call has been accepted and is being held in a queue. Calls are answered in strict rotation as our Customer Care Representatives become available.

Enter appliance numbers here for future reference:

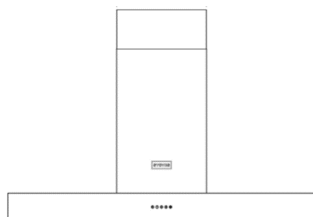
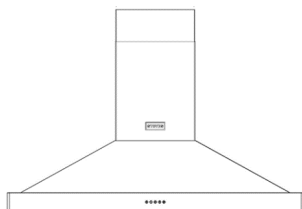
Model No	<input type="text"/>	<input type="text"/>	<input type="text"/>	<input type="text"/>	<input type="text"/>	<input type="text"/>	<input type="text"/>	<input type="text"/>	<input type="text"/>
Serial No	<input type="text"/>	<input type="text"/>	<input type="text"/>	<input type="text"/>	<input type="text"/>	<input type="text"/>	<input type="text"/>	<input type="text"/>	<input type="text"/>

These numbers can be found on your appliances.
Outside the UK and Northern Ireland, refer to your local supplier.

STOVES

Stoney Lane, Prescott, Merseyside, L35 2XW

STOVES



Аспиратор Stoves
Ръководство на потребителя

Съдържание

Въведение	2
Мерки за безопасност	3
Инструкции за монтаж	4
Употреба	6
Грижи и почистване	7
Технически данни	8
Обслужване на клиенти	9

Въведение

Благодарим Ви, че закупихте този висококачествен аспиратор от Stoves. Нашата политика е за непрекъснато развитие и усъвършенстване. Абсолютната точност на изложените илюстрации и спецификации не е гарантирана. Възможно е след публикуването на настоящото ръководство да бъдат извършвани промени върху дизайна и материалите.

Преди първоначалната употреба на уреда отстранете всички опаковки и защитно полиетиленово фолио.

Уредът е проектиран за използване като аспиратор (извеждане на въздуха извън помещението) или абсорбатор (рециклиране на въздуха в помещението).
Забележка: Уредът не се предоставя заедно с въздуховоди или карбонови филтри. Подробности относно набавянето на тези части можете да намерите в края на този наръчник.
Поради сложността на действието и тежестта на уреда се препоръчва монтажът да бъде изпълнен от специализиран персонал.
Производителят не поема отговорност за повреди, причинени вследствие на неправилен монтаж.
Моля прочетете внимателно това ръководство и го пазете за бъдещи справки.

МЕРКИ ЗА БЕЗОПАСНОСТ

1. Погрижете се аспираторът да бъде включен едновременно с камината или уреда за готвене, които могат да замърсят въздуха в помещението. Уредът премахва въздуха, който газовия котлон или камината отработват при горене.

Отрицателното налягане в околната среда не трябва да надвишава 4Pa (4x10⁻⁵ бара). За безопасното функциониране на аспиратора е необходимо да осигурите добра вентилация. Спазвайте местните закони относно отвеждане на въздух в околната среда.

Преди да свържете уреда разгледайте табелката (във вътрешността му), за да се уверите, че напрежението и силата на тока съвпадат с тези на местната електрическа мрежа. В случай че имате съмнения, се свържете с квалифициран електротехник.

Ако захранващият кабел е повреден, трябва да бъде заменен. Можете да получите такъв направо от производителя.

Уредът трябва да бъде свързан към електрическата мрежа посредством щепсел, или двуфазно свързване, обезопасени с предпазител от 3А.

2. Предупреждение!

При определени обстоятелства електрическите уреди могат да представляват опасност.

А) Не проверявайте състоянието на филтъра, докато аспираторът работи.

Б) Не докосвайте крушките или съседните на тях зони по време или веднага след като осветителната система е работила.

В) Готвенето чрез фламбиране непосредствено под аспиратора е забранено.

Г) Избягвайте открити пламъци, тъй като те могат да увредят филтъра и представляват заплахата от пожар.

Д) При пържене не оставяйте храната без наблюдение. Нагорещеното масло може да се възпламени.

Е) Преди всяко действие по поддръжка и обслужване изключвайте електрическото захранване.

Ж) Този уред не е предназначен за използване без надзор от деца или лица с ограничени възможности.

З) Малките деца не трябва да бъдат оставяни да си играят с уреда.

И) При използване на абсорбатора заедно с уреди на газ или друго гориво, различно от електрическо, е необходимо в помещението да бъде осигурена подходяща вентилация.

Й) Ако почистването не бъде изпълнено съгласно указанията, съществува риск от пожар.

Този уред отговаря на Европейска директива ЕО/2002/96 за Отпадъци от електрическо и електронно оборудване (ОЕЕО).

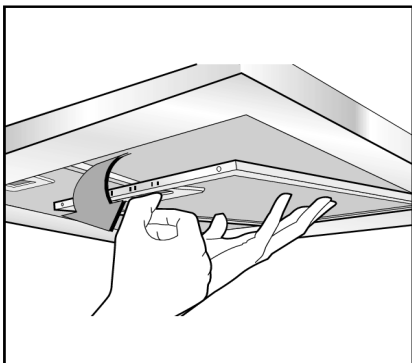
Символът върху продукта или придружаващата го документация показва, че той не може да бъде третиран като битов отпадък, а трябва да бъде транспортиран до местата за събиране на отпадъци за рециклиране на електрическо и електронно оборудване.

При изхвърлянето на отпадъци спазвайте местните разпоредби.

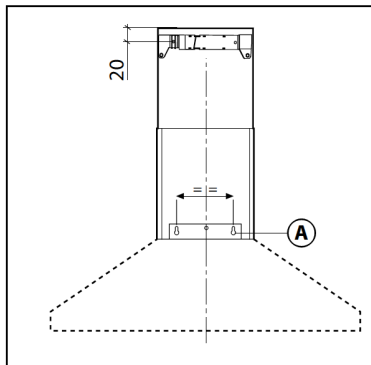
По-подробна информация относно ползване, повторна употреба и рециклиране на този продукт можете да получите от представителите на местните власти, фирмите за извозване на битови отпадъци или в магазина, от който сте закупили продукта.

ИНСТРУКЦИИ ЗА МОНТАЖ

- Монтажът и електрическото свързване трябва да бъдат изпълнени от специалист.
- Необходимо е при монтажа да носите предпазни ръкавици.
- Свързване към електрическата мрежа:
 - Уредът е от клас II, следователно не е необходимо заземяване. Необходимо е след монтажа да съществува лесен достъп до електрическия вход. В случай че уредът е предоставен със захранващ кабел без щепсел, между уреда и електрическия вход трябва да бъде поставен подходящо оразмерен еднополюсен прекъсвач с 3 мм минимално разстояние между контактите в съответствие с действащата нормативна уредба.
 - Свързването към електрическата мрежа се изпълнява както следва:
КАФЯВ = L проводник
СИН = N неутрален
- Ако готварският плот е електрически, газов или индукционен, минималното разстояние между него и долната част на аспиратора трябва да бъде 65 см. В случай че се използва тръбно свързване от две части, горната част трябва да бъде поставена извън долната.
Не свързвайте аспиратора за отвеждане на отработени газове със същия въздуховод, използван за циркулиране на топъл въздух или за отвеждане на дима от други уреди с източник, различен от електричество.
За Ваше улеснение, преди да пристъпите към сглобяването, сваляте филтъра (филтрите) за мазнини (изображение 1).
 - Ако монтирате уреда заедно с аспирация, пригответе отвор за отвеждане на въздуха.



изображение 1

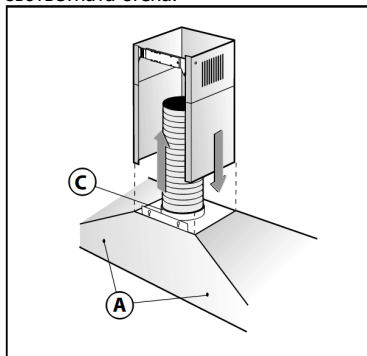


изображение 2

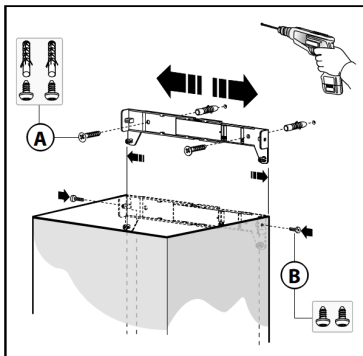
- Препоръчваме използването на въздуховодна тръба със същия диаметър, като отвора на аспиратора. В случай че бъде използвана тръба с по-малък диаметър, ефективността на продукта ще бъде намалена, а същевременно ще се увеличи и шумът.
- Ако уредът е проектиран за употреба в помещения с централна вентилационна система, изпълнете следното:
 - Превключвателят управлява отварянето и затварянето на клапа, използвана от термо-електрическо устройство. При поставяне на превключвателя в положение ON, след минута клапата се завърта на 90°, позволявайки засмукване на въздуха. Ако превключвателят бъде поставен в положение OFF, след изминаване на 100 секунди клапата се затваря.
- Прикрепяне за стената:
Пробийте отвори А в съответствие с указаните разстояния (изображение 2).
Прикрепете уреда към стената и го изравнете хоризонтално с шкафовете. Когато уредът е нивелиран

правилно, го фиксирайте към стената с помощта на винтове А (изображение 3). При различните видове монтаж използвайте винтове и анкери, подходящи за определения тип стена (напр. армиран бетон, гипсокартон и др.).

Проверете дали предоставените с продукта винтове и анкери (при наличие на такива) са подходящи за съответната стена.



изображение 3



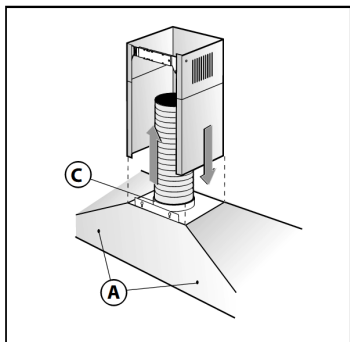
изображение 4

• Прикрепяне на декоративния телескопичен дымоотвод:

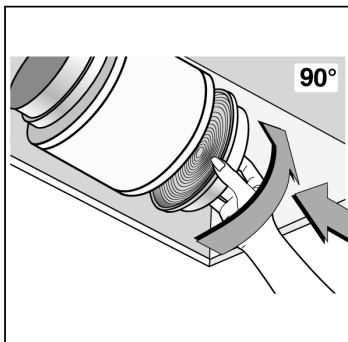
Подредете електрическите проводници във вътрешността на декоративния дымоотвод. При необходимост от монтиране на версия с въздуховод или външен мотор, подгответе отвор за тръбата. Регулирайте ширината на носещата конзола на горния дымоотвод (изображение 4). След това я прикрепете за тавана с помощта на винтове А (изображение 4) по такъв начин, че да е изравнена с готварския плот, а разстоянията до тавана, показани на изображение 2 да са спазени.

Свържете фланец С с отвора за отвеждане на въздуха чрез тръбно съединение (изображение 5).

Поставете горния дымоотвод в долния и ги наместете над рамката. Издърпайте горния дымоотвод до конзолата и го прикрепете с помощта на винтове В (изображение 4). За трансформиране на уреда от аспиратор в абсорбатор, поискайте от местния търговски представител филтри от активен въглен и изпълнете монтажа съгласно инструкциите.



изображение 5



изображение 6

• Абсорбатор:

Монтирайте уреда и двата дымоотвода, както е описано по-горе в частта за монтаж на уреда във вид на аспиратор. За сглобяване на филтриращия дымоотвод разгледайте инструкциите, предоставени с комплекта. В случай че нямате предоставен комплект, го поръчайте от местния търговски представител като аксесоар. Филтрите трябва да бъдат поставени в смукателния елемент, разположен във вътрешността на уреда. Те трябва да се центрират чрез завъртане на 90 градуса, докато зъбът бъде захванат (изображение 6).

УПОТРЕБА

Контроли



Осветление



Натиснете за включване / изключване на осветлението

Скорост – избор на скорост, подходяща за условията на готвене



Ниска - Леко пържене / варене. С натискане на този бутон можете да включите уреда на ниска скорост или да го изключите (при повторно натискане).



Средна - Пържене / готвене с уок тиган / варене на силен огън. С натискане на този бутон можете да включите уреда на средна скорост или да го изключите (при повторно натискане).



Висока - Печене на грил, интензивно пържене или готвене с уок тиган. С натискане на този бутон можете да включите уреда на висока скорост или да го изключите (при повторно натискане).



Допълнително ускорение - С натискане на този бутон можете да включите уреда на най-високата

Функция за допълнително ускорение на вентилатора

Вашият аспиратор разполага с функция за допълнително ускорение на вентилатора. Можете да я активирате чрез натискане на бутон B, докато аспираторът работи. Скоростта ще бъде увеличена за 8 минути, след което ще се върне към предишния режим на работа.

За по-добро премахване на миризмите, Ви препоръчваме да включвате аспиратора няколко минути преди да започнете да готвите и да го оставяте да работи приблизително 8 минути, след като готвенето е приключило.

Този уред не е предназначен да бъде използван от деца или лица с намалени физически, сетивни или умствени способности или с липса на опит и познания, освен ако са под надзор или са инструктирани от лице, отговорно за тяхната безопасност.

ПРЕДУПРЕЖДЕНИЕ - При едновременно използване с уред за готвене, достъпните части могат да се нагорещят. За осветяване зоната на готвене под аспиратора, натиснете бутона за управление на осветлението в положение "on". За изключване го натиснете още веднъж (положение "off").

За да включите аспиратора, натиснете бутона с желаната скорост: **1** ниска, **2** средна или **3** висока скорост. Неоновият светлинен индикатор показва кога уредът функционира. За изключване натиснете бутон "off".

ГРИЖИ И ПОЧИСТВАНЕ

Преди да предприемете действия по почистване и поддръжка, изключете уреда от електрическата мрежа.

Смяна на LED светлини

В случай че уредът разполага с LED светлини, за тяхната смяна е необходимо да се обърнете към квалифициран техник.

Външен корпус

Всички части на външния корпус могат да бъдат почистени с чиста кърпа, навлажнена в гореща сапунена вода.

Не използвайте разяждащи кремове, абразивни почистващи прахове, търкане с телена вата или твърди инструменти, както и продукти със съдържание на хлориди, тъй като могат да наранят повърхностите. Упоритите петна могат да бъдат премахнати с препарат за почистване на неръждаема стомана. За поддръжане на добър естетичен вид, препоръчваме да почиствате цялата стоманена повърхност. Възможно е повърхността от неръждаема стомана да бъде издраскана от остри предмети, но с течение на времето белезите ще избледнеят.

За поддръжане на корпуса от неръждаема стомана, както и за премахване на мазни петна, избършете леко повърхността с малко количество бебешко олио и кухненска хартия.

Не използвайте олио за готвене, тъй като може да съдържа сол, която би увредила неръждаемата стомана.

Преди да предприемете действия по почистване и поддръжка, изключете уреда от електрическата мрежа.

За избягване на възможните рискове, спазвайте инструкциите за почистване по-долу:

Филтри за мазнини

Тези филтри абсорбират мазнини и прах от парата на готвената храна, които в противен случай биха увредили вътрешността на аспиратора.

Филтрите за мазнини трябва редовно да бъдат изваждани и почиствани (при нормална употреба - на всеки два месеца).

За почистване използвайте топла сапунена вода или измийте в съдомиялна машина. Възможно е след измиване филтрите за мазнини леко да изменят цвета си. Това по никакъв начин не се отразява на функционалността им.

Важно: Редовното почистване е от изключителна важност за предотвратяване натрупването на мазнини във филтрите, което с течение на времето може да стане опасно.

1. Извадете филтрите от уреда.
2. Внимателно измийте филтрите в гореща сапунена вода, след което ги избършете с чиста кърпа.
3. Поставете ги обратно на местата им.

Въглеродни филтри (само при моделите, използвани за вътрешна циркулация на въздуха)

Въглеродните филтри абсорбират миризмите от готвене и при нормална употреба трябва да бъдат сменяни на всеки шест месеца. Можете да получите резервни въглеродни филтри от нашия Център за обслужване на клиенти (за подробности вижте гърба на книжката).

Степента на насищане на активния въглен във филтъра зависи от честотата на употреба на уреда, вида на кухнята и редовното почистване на филтъра за мазнини.

Въглеродните филтри не могат да бъдат измивани. Сменяйте ги на всеки шест месеца.

ТЕХНИЧЕСКИ ДАННИ

Електрическо захранване

220 - 240V ~ 50Hz

Класификация

клас I

Ниво на шума (външно вентилиране)

Плосък тип аспиратор

При използване на функцията за допълнително ускорение 72 dBA

Положение 3 65 dBA

Положение 1 52 dBA

Каминен тип аспиратор

При използване на функцията за допълнително ускорение 72 dBA

Положение 3 65 dBA

Положение 1 52 dBA

Крушки за осветление

2 x 1.5W LED

Мощност на мотора

250W

Филтри за мазнини

3 - Алуминиев панел

Забележка: Възможно е след измиване филтрите за мазнини леко да изменят цвета си. Това не се отразява на функционалността им.

Въглеродни филтри

2 - Предлагат се като резервни части

Норма на извличане (външно)

Плосък тип аспиратор

При използване на функцията за допълнително ускорение 805.8 m³/H

Положение 3 605.7 m³/H

Положение 1 280.0 m³/H

Каминен тип аспиратор

При използване на функцията за допълнително ускорение 805.8 m³/H

Положение 3 605.7 m³/H

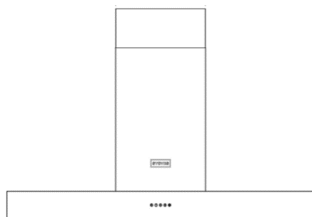
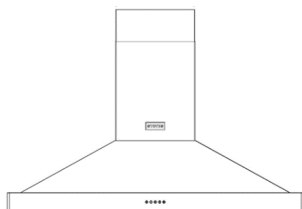
Положение 1 280.0 m³/H

ОБСЛУЖВАНЕ НА КЛИЕНТИ

Country	Contact Address	Contact details
France	Glen Dimplex France ZI petite Montagne Sud 12 rue des Cévennes - Lisses 91017 EVRY cedex FRANCE	Service Number: 01 69 11 11 85 Tel: 00 33 (0)1 69 11 11 91 Fax: 00 33 (0)1 60 86 28 37 direction@glendimplex-france.fr www.glendimplex-france.fr
Holland/ Belgium	Glen Dimplex Benelux B.V. Nederland/Le Pays Bas Saturnus 8 8448 CC Heerenveen Tel: +31 (0) 513-656500 Fax: +31 (0) 513-656501 www.stoves.nl België/Belgique Burgemeester Maenhoutstraat 64 9820 Merelbeke Tel: +32 (0)92100210 Fax: +32 (0)92100212 www.stoves.be	Productregistratie/ Registration de produit www.gdbservice.com Serviceaanvraag/ Demande de service www.stoves.nl / www.stoves.be zie banner 'service' homepagina voir la banniere 'service' sur notre page d'accueil
Germany/ Austria	ELESCO EUROPA GmbH Karl-Wiechert-Allee 74a D-30625 Hannover	Telefon: +49-(0)511-5151 3360 Fax: +49 (0)511 5343 0910 info@elesco-europa.com www.vittoria5sterne.de
Poland	OPTIDATA Sp. z o. o., ul. Wielicka 50/5, 30-552 Kraków	+48 12 383 39 30 www.kuchniestoves.pl service.stoves@optidata.pl
Sweden	Lindström & Sondén AB Havsbadsvägen 1 26263 Ängelholm	Tele: 010-1011656 Email: info@lsbolagen.se
Republic of Ireland	Glen Dimplex Ireland, Airport Road, Cloghran, Co. Dublin	Service Telephone No.' (01) 8428222 Service and Spare Parts. serviceireland@glendimplex.com
Other	Glen Dimplex Home Appliances, Stoney Lane, Prescot, Merseyside, L35 2XW	Tel: 0844 815 3740

S T O V E S

STOVES



Stoves Kuhinjska napa
Korisnički priručnik

Sadržaj

Uvod	2
Sigurnosna mjera opreza	3
Upute za instalaciju	4
Upotreba nape.	6
Njega i čišćenje	7
Tehnički podaci	8
Briga o korisnicima	9

Uvod

Hvala vam na kupnji ovog visoke kvalitete nape iz Stoves.

Naša politika je jedna od kontinuiranog razvoja i unapređenja. Stroga točnost slika i specifikacija nije zajamčena. Izmjena dizajna i materijala mogu biti potrebne nakon objave.

Prije uporabe uređaja prvi put, uklonite svu ambalažu i zaštitni plastični film.

Ovaj uređaj je napravljen za upotrebu kao izpušna (evakuacija zraka van) ili filtrirna (unutrašnje kruženje zraka) napa.

Opomena: Ovaj uređaj ne uključuje provodni kanal ili karbonske filtre. Detalji za naručivanje ovih dijelova se nalaze na kraju ovog priručnika.

Zbog kompleksnosti i teže ovog uređaja, je preporučljivo, da instalaciju izvede specializirano osoblje.

Proizvođač otklanja svaku odgovornost za štetu nastalu uslijed nepravilnog rukovanja ili instalacije.

Pažljivo pročitajte ovaj priručnik i sačuvajte ga za buduću uporabu.

SIGURNOSNA MJERA OPREZA

1. Budite pažljivi, dok napa radi simultano s otvorenom vatrom ili plamenikom, koj ovisi o zraku u prostoriji. Napa uklanja zrak iz prostorije, kojeg plamenik ili otvorena vatra treba za izgaranje.

Negativni pritisak u okolini nesmije pre

Negativni tlak u okolini ne smije prelaziti 4Pa (4x10⁻⁵ bar). Osigurajte odgovarajuću ventilaciju u okruženju za siguran rad nape. Pratite lokalne zakone primjenjive za vanjsku evakuaciju zraka.

Prije spajanja modela na električnu mrežu pregledajte ploču podataka (pozicionirana unutar uređaja) za potvrdu da napon i snaga odgovaraju mreži i da je utičnica prikladna. Ako ste u nedoumici upitajte kvalificiranog električara.

Ako je kabel za napajanje oštećen, mora se zamijeniti. Taj se može dobiti izravno od proizvođača.

Ovaj uređaj mora biti spojen na opskrbnu mrežu putem bilo kojeg utikača, sjedinjen sa 3A ili ožičen na 2 faze ostruge, zaštićen osiguračem 3A.

2. Oprez!

U određenim okolnostima električni uređaji mogu biti opasni.

- A) Ne provjeravajte stanje filtera dok kuhinjska napa radi.
- B) Ne dirajte žarulje ili susjedna područja za vrijeme ili odmah nakon dužeg korištenja rasvjete.
- C) Flambè kuhanje je zabranjeno ispod nape.
- D) Izbjegavajte otvoreni plamen, jer je štetan za filtere i stvara požarne opasnosti.
- E) Ne ostavljajte prženje hrane bez nadzora jer pregrijano ulje može stvoriti požarnu opasnost.
- F) Odvojite električnu vezu prije bilo kojeg održavanja.
- G) Ovaj uređaj nije namijenjen za uporabu od strane male djece ili nemoćnih osoba bez nadzora.
- H) Djecu treba nadzirati kako bi se osiguralo da se ne igraju s aparatom.
- I) Postojati mora dostatno provjetranje prostorije kada se napa koristi u isto vrijeme kao i plinski aparati ili aparati na drugo gorivo, osim električnog.
- L) Postoji rizik od vatre, ako čišćenje nije provedeno u skladu s uputama.

Ovaj uređaj odgovara Europskoj direktivi EC/2002/96, (Waste Electrical and Electronic Equipment (WEEE)).

Simbol na proizvodu ili na pratećoj papirologiji označava da aparata ne treba tretirati kao kućni otpad, ali bi trebao biti isporučen na odgovarajući električnu i elektroničku točku za prikupljanje.

Pratite lokalne smjernice prilikom odlaganja otpada.

Za više informacija o tretiranju, ponovnoj uporabi i reciklaži ovog proizvoda, obratite se lokalnoj autoriteti, domaćoj tvrtki za zbrinjavanje otpada ili prodavaču gdje ste kupili uređaj.

UPUTE ZA INSTALACIJU

- Montaža i električni spojevi moraju se provoditi od strane specijaliziranog osoblja.
- Nosite zaštitne rukavice prije nego što nastavite s instalacijom.
- Električni priključak:
 - Aparat je proizveden kao klasa II, dakle nije zemlja kabel je potrebno. Napajanje točka mora bi biti lako dostupna nakon instalacije uređaja. Ako je uređaj opremljen s kablom za napajanje, bez utikača, prikladno dimenzionirani omnipolarni prekidač sa 3 mm minimalnim otvorom između kontakata mora biti postavljen između uređaja i opskrbe električnom energijom u skladu s opterećenjem i važećim propisima.
 - Priključak na glavno električnu mrežu se izvrši na sljedeći način:
SMEĐA = L linija
PLAVA = N neutralna
- Ako je ploča za kuhanje na struju, plin, ili indukciju, minimalna udaljenost između istog i donjeg dijela nape mora biti najmanje 65 cm. Ako se koristi vezna cijev od dva dijela, gornji dio mora biti postavljen izvan donjeg dijela.
Nemojte spajati izpušni dio kuhinjske nape na isti konduktor, koji je u upotrebi za cirkulaciju vrućeg zraka ili za evakuaciju pare od drugih uređaja, koje proizvodi drugo, nego električni vir.
Prije nego što nastavite sa montažom, uklonite filter protiv masnoće (Slika 1), tako da je s jedinicom jednostavnije rukovati.
 - U slučaju sastavljanja uređaja u usisnoj verziji pripremite rupu za evakuaciju zraka.

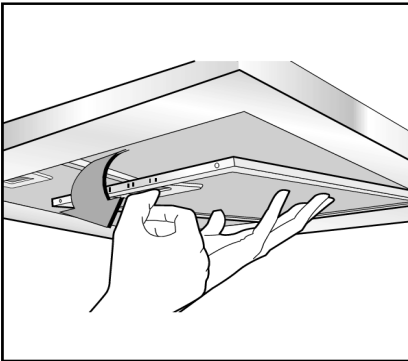


Fig.1

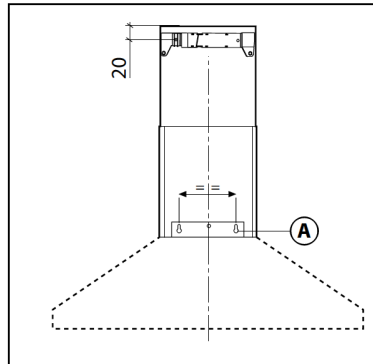
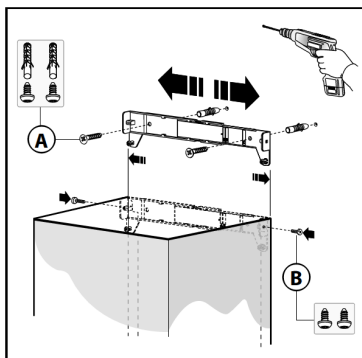
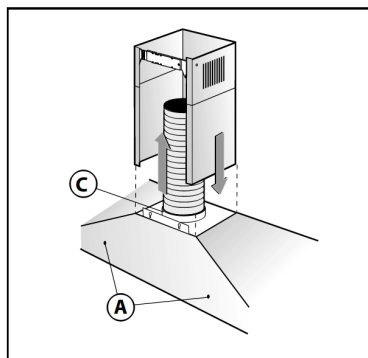


Fig.2

- Preporučujemo uporabu zračne ispušne cijevi koji ima isti promjer kao ispuh na izlaznom otvoru. Ako se koristi cijev s manjim promjerom, učinkovitost proizvoda može se smanjiti, a njegov rad može postati bučniji.
- Ako je vaš uređaj dizajniran za uporabu u stanovima , isporučen s centraliziranom napravom za usisavanje, izvršite sljedeće operacije:
 - Prekidač kontrolira otvaranje I zatvaranje ventila s pomoću termo električnog uređaja. Prekidač u poziciji ON, posle minute, otvara ventil vrteći 90° I tako omogućava sisanje ustajao zrak. Sa prekidačem u OFF poziciji, ventil se zatvara za 100 sekundi.
- Pritvrđivanje na zid:
Izbušite A rupe poštujući navedene udaljenosti (Sl.2).
Učvrstite uređaj na zid i poravnajte ga u vodoravnom položaju na zid .. Kad je uređaj podešen, zasigurno ispravite napu pomoću vijaka A (Slika 3). Za razne instalacije koristite vijke i tiple primjerene za različite vrste zida (npr armirani beton, gips, itd).
Ako su vijci i tiple dostavljene s proizvodom, provjerite da su prikladne za vrstu zida na kojem napa treba biti



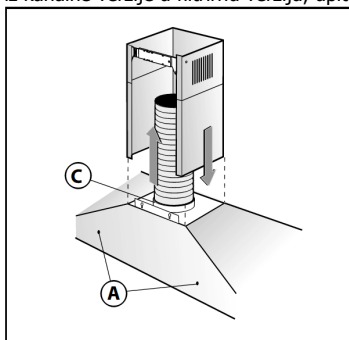
fiksna
Sl.3

Sl.4

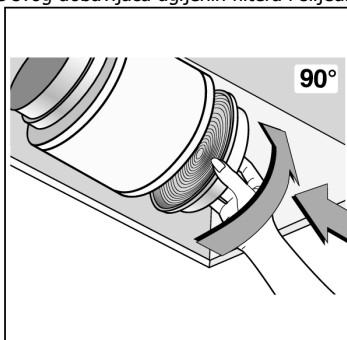
• Učvršćivanje dekorativnog teleskopskog dimnjaka:

Rasporedite električnu energiju unutar dimenzija dekorativnog dimnjaka. Ako je vaš uređaj napravljen za ugradnju u kanalnoj verziji ili u verziji s vanjskim motorom, pripremite otvor za odvod zraka. Prilagodite širinu nosača gornjeg dimnjaka (sl.4). Zatim ga pričvrstite na strop pomoću vijaka A (sl.4) na takav način da je to u skladu s vašom napom i poštujući udaljenost od stropa, kako je prikazano na slici 2.

Spojite priрубnicu C na ispušnu rupu pomoću priključka (Slika 5). Umetnite gornji dimnjak u donji dimnjak i nastavite ga iznad okvira. Izvadite gornji dimnjak do držača i učvrstite vijcima B (sl.4). Za transformaciju nape iz kanalne verzije u filtrirnu verziju, upitajte svog dobavljača ugljenih filtera i slijedite upute za instalaciju.



Slika 5



Slika 6

• Filtrna verzija:

Instalirajte napu dva dimnjaka kao što je opisano u točki za ugradnju nape u kanalnoj verziji . Za sastavljanje filtrirnog dimnjaka se obratite u upute sadržane u kompletu. Ako kit nije u kompletu, naručite ga kod vašeg prodavača kao dodatnu opremu. Filtri se moraju instalirati na usisnu jedinicu unutar nape. Moraju biti centrirani na 90 stupnjeva, dok ne zapne zaustavljalni ulov (Slika 6).

UPOTRIJEBA NAPE

Kontrole



Lampica



– Pritisnite tipku uklop/isklop

Brzina – izaberite brzinu za prilagođenje uvjeta kuhanja



Niska - Lako pečenje/kuhanje. Pritisnite ovaj gumb, da počne raditi s niskom brzinom i pritisnite ponovo, da ugasite motor.



Srednja - Pečenje/kuhanje u woku/bučno vrenje. Pritisnite ovaj gumb, da počne raditi srednjom brzinom i ponovo, da ugasite motor.



Visoka - Grilanje, intenzivno pečenje i kuhanje u woku. Pritisnite ovaj gumb, da počne raditi visokom brzinom i ponovo, da ugasite motor.



Pojačivač - Pritisnite ovaj gumb, da počne raditi pojačanom brzinom i ponovo, da ugasite motor.

Funkcija pojačivača

Ova napa također ima funkciju pojačivača. Za aktiviranje pojačivača pritisnite gumb B dok je napa _ u uporabi, a to će povećati brzinu za 8 minuta, prije nego što se ponovo uspori. Preporučujemo da uključite napu nekoliko minuta prije nego što počnete kuhati, a zatim je ostavite priključenu za oko 8 minuta nakon toga kako bi se osiguralo da su svi mirisi ekstrahirani. Aparat nesmiju koristiti djeca ili osobe sa smanjenim fizičkim, osjetilnim ili mentalnim sposobnostima ili s nedostatkom iskustva i znanja, osim ako im je bio dano dopuštenje ili upute.

OPREZ - Dostupni dijelovi se mogu pregrijati kada se koriste s aparatima za kuhanje. Da biste osvjetlili prostor za kuhanje ispod nape, pritisnite tipku za kontrolu svjetla na "ON" položaj. Za isključivanje, ponovno pritisnite gumb za "off" položaj.

Za rukovanje s napom, pritisnite gumb za potrebnu brzinu - odaberite: **1** niska, **2** srednja, ili **3** visoka brzina. Neonska indikatorska lampica će zasvijetliti i prikazati, kada radi ventilator. Da bi ga ugasili, ponovo pritisnite gumb "off".

NJEGA I ČIŠĆENJE

Prije čišćenja i održavanja, isključite uređaj iz električne struje.

Zamjena LED svjetla

Ako imate verziju naprave sa LED lampicama, onda je potrebna intervencija specijaliziranog tehničara, da ih promijeni.

Vanjska kutija

Svi vanjski dijelovi bužira može se sigurno očistiti čistom krpom iscijedenom u vrućoj sapunici.

Nemojte koristiti nagrizajuće paste, abrazivne praške za čišćenje, žičanu vunu, tvrda oruđa, ili bilo koji proizvod koji sadrži kloride, jer će oštetiti površinu.

Tvrdekorni tragovi mogu se ukloniti uporabom nehrđajućeg čeličnog sredstva za čišćenje. Preporučujemo da očistite cijelu čeličnu površinu nehrđajućeg čelika da zadrži ravnomjernu završnicu.

Oštri predmeti mogu obilježiti površinu nehrđajućeg čelika, ali tragovi će postati manje vidljivi s vremenom.

Za održavanje završnice nehrđajućeg čelika, ili kako bi se uklonile masni tragovi, obrišite površinu od nehrđajućeg čelika štedljivo s minimalnom količinom baby ulja i kuhinjskim papirom.

Nemojte koristiti jestivo ulje, jer to može sadržavati soli, što može oštetiti površinu od nehrđajućeg čelika.

Prije čišćenja ili održavanja, isključite struju.

Da bi se izbjegla opasnost od požara, slijedite slijedeće upute za čišćenje:

Filteri masnoće

Filteri masnoće apsorbiraju masti i prašinu od kuhanja para, koji bi inače oštetila unutrašnjost nape.

Filtere masnoće treba ukloniti i redovito čistiti - uz normalnu uporabu, to bi trebao biti svaka 2 mjeseca.

Za čišćenje koristite toplu sapunicu, ili operite u perilici posuđa. Filteri masnoće se mogu nešto promijeniti boju radi pranja, no to ne utječe na njihovu učinkovitost.

Važno: Često pranje je neophodno kako bi se spriječilo nakupljanje masti u filtrima koji bi mogli postati opasnost za vatru.

1. Uklonite filtere od nape.
2. Pažljivo operite filtere masnoće u vrućoj sapunici i osušite čistim ručnikom.
3. Vratite čiste filtere.

Ugljeni filtri (modeli instalirani za uporabu isključivo s metodom ponovne cirkulacije)

Ugljeni filtri apsorbiraju mirise kuhanja i trebaju se obnoviti nakon oko 6 mjeseci uobičajene uporabe.

Nadomjesni ugljeni filtri mogu se dobiti od naše korisničke službe (pojednostavljeni na stražnjem dijelu priručnika).

Zasićenje od aktivnog ugljena u filteru ovisi o tome koliko često se koristi nape, vrsta kuhinje i redovitost čišćenja filtera masnoće.

Ugljikovi filtri se ne mogu oprati - obnoviti svakih 6 mjeseci.

TEHNIČKI PODACI

Oskrba električnom energijom

220 - 240V ~ 50Hz

Klasifikacija

Klasa I

Razina buke (vanjsko odzračivanje)

Ravna napa

pojačivač	72 dBA
Pozicija 3	65 dBA
Pozicija 1	52 dBA

Napa sa dimnjakom

Pojačivač	72 dBA
Pozicija 3	65 dBA
Pozicija 1	52 dBA

Svijetla

2 x 1.5W LED

Ocjena motora

250W

Filteri masnoće

3 komadi aluminiјaste ploče

Napomena: Nakon čišćenja, filteri masnoće mogu malo izgubiti boju – to ne utječe na njihovu performansu.

Ugljeni filteri

2 komada – za rezervu

Stopa ekstrakcije (vanjska)

Ravna napa

Pojačivač	805.8 m3/H
Pozicija 3	605.7 m3/H
Pozicija 1	280.0 m3/H

Napa sa dimnjakom

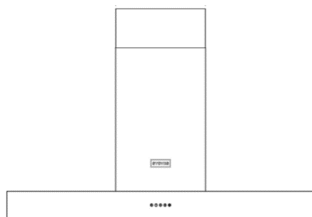
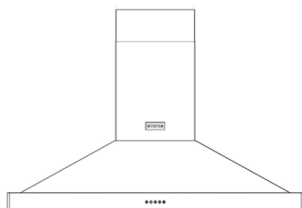
Pojačivač	805.8 m3/H
Pozicija 3	605.7 m3/H
Pozicija 1	280.0 m3/H

STOVES BRIGA O KORISNICIMA

Country	Contact Address	Contact details
France	Glen Dimplex France ZI petite Montagne Sud 12 rue des Cévennes - Lisses 91017 EVRY cedex FRANCE	Service Number: 01 69 11 11 85 Tel: 00 33 (0)1 69 11 11 91 Fax: 00 33 (0)1 60 86 28 37 direction@glendimplex-france.fr www.glendimplex-france.fr
Holland/ Belgium	Glen Dimplex Benelux B.V. Nederland/Le Pays Bas Saturnus 8 8448 CC Heerenveen Tel: +31 (0) 513-656500 Fax: +31 (0) 513-656501 www.stoves.nl België/Belgique Burgemeester Maenhoutstraat 64 9820 Merelbeke Tel: +32 (0)92100210 Fax: +32 (0)92100212 www.stoves.be	Productregistratie/ Registration de produit www.gdbservice.com Serviceaanvraag/ Demande de service www.stoves.nl / www.stoves.be zie banner 'service' homepagina voir la banniere 'service' sur notre page d'accueil
Germany/ Austria	ELESCO EUROPA GmbH Karl-Wiechert-Allee 74a D-30625 Hannover	Telefon: +49-(0)511-5151 3360 Fax: +49 (0)511 5343 0910 info@elesco-europa.com www.vittoria5sterne.de
Poland	OPTIDATA Sp. z o. o., ul. Wielicka 50/5, 30-552 Kraków	+48 12 383 39 30 www.kuchniestoves.pl service.stoves@optidata.pl
Sweden	Lindström & Sondén AB Havsbadsvägen 1 26263 Ängelholm	Tele: 010-1011656 Email: info@lsbolagen.se
Republic of Ireland	Glen Dimplex Ireland, Airport Road, Cloghran, Co. Dublin	Service Telephone No.' (01) 8428222 Service and Spare Parts. serviceireland@glendimplex.com
Other	Glen Dimplex Home Appliances, Stoney Lane, Prescott, Merseyside, L35 2XW	Tel: 0844 815 3740

S T O V E S

STOVES



Stoves Odsavač par
Návod k použití

Obsah

Úvod	2
Bezpečnostní opatření	3
Návod na instalaci	4
Použití Odsavače par	6
Péče a čištění	7
Technické údaje	8
Stoves Klientský servis	9

Úvod

Děkujeme vám za zakoupení tohoto vysoce kvalitního Odsavače par od společnosti Stoves. Základem naší obchodní politiky je neustálý vývoj a zlepšování se. Nezaručujeme přesnou přesnost ilustrací a specifikací. Po vydání mohou být nutné modifikace, co se týče designu a materiálů.

Před prvním použitím přístroje, odstraňte všechny obaly a ochranné polyetylenové fólie.

Tento spotřebič byl navržen pro použití jako odsávací (odsávání vzduchu směrem ven), nebo filtrační (vnitřní recyklace vzduchu) zařízení.

Poznámka: Tento spotřebič není dodáván spolu s potrubními sestavami nebo uhlíkovými filtry. Podrobnosti pro objednání těchto dílů jsou uvedeny na zadní straně příručky.

Vzhledem ke složitosti a hmotnosti zařízení doporučujeme, aby instalace byla provedena odborným personálem.

Výrobce odmítá jakoukoliv odpovědnost za škody způsobené nesprávnou instalací.

Prosím, návod si pozorně přečtěte a uschovejte ho pro budoucí použití

BEZPEČNOSTNÍ OPATŘENÍ

1. Dávejte pozor, pokud odsavač par je provozován současně s takovým sporákem nebo varnou deskou, která je závislá na vzduchu v okolním prostředí. Odsavač par odstraňuje vzduch z prostředí, který vzduch hořák nebo varná deska potřebuje pro spalování.

Negativní tlak v prostředí nesmí překročit 4 Pa (4x10⁻⁵ bar). Zajistěte dostatečné větrání v prostředí pro bezpečný provoz odsavače par. Dodržujte místní zákony platné pro vývod vzduchu do vnějšího prostředí.

Před připojením modelu do elektrické sítě prozkoumejte datový štítek (umístěný uvnitř spotřebiče), abyste se potvrdili o tom, že napětí a výkon spotřebiče odpovídá hodnotám sítě a také zásuvka je vhodná. V případě pochybností se obraťte na kvalifikovaného elektrikáře.

Pokud je napájecí kabel poškozen, musí být vyměněn. Můžete ho získat přímo od výrobce.

Toto zařízení musí být připojeno k napájecí síti přes konektor s tavnou pojistkou 3A nebo prostřednictvím 2 fázových kolíků chráněných 3A pojistkou.

2. Výstraha!

Za určitých okolností mohou elektrické spotřebiče představovat riziko nebezpečí.

A) Nekontrolujte stav filtrů, dokud je odsavač par v provozu.

B) Nedotýkejte se žárovek nebo přilehlých oblastí v průběhu nebo ihned po delším používání osvětlovacího zařízení.

C) Pod odsavačem par je zakázáno flambování.

D) Vyvarujte se volným plamenem, nakolik jsou škodlivé pro filtry a představují nebezpečí požáru.

E) Nenechávejte jídlo smažit bez dozoru, protože přehřátý olej může způsobit nebezpečí požáru.

F) Před údržbou odpojte elektrické připojení.

G) Tento spotřebič není určen pro používání dětmi nebo nemocnými osobami bez dozoru.

H) Malé děti by měly být pod dozorem, aby si nehrály s tímto přístrojem.

I) Musí být zajištěno dostatečné větrání místnosti, pokud je odsavač používán ve stejnou dobu jako zařízení na spalování plynu nebo jiná paliva než elektrické.

L) Pokud čištění není prováděno v souladu s pokyny, hrozí nebezpečí požáru.

Tento spotřebič je v souladu s evropskou směrnici č. EC/2002/96, o odpadních elektrických a elektronických zařízeních (OEEZ).

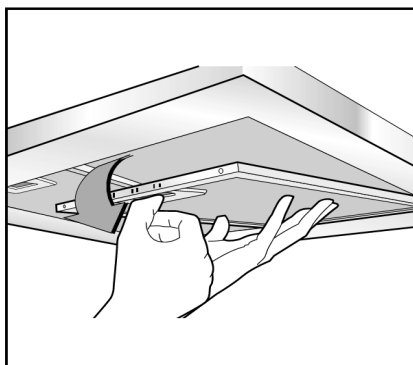
Symbol na výrobku nebo v průvodních dokumentech znamená, že spotřebič nesmí být zlikvidován společně s domácím odpadem, ale měla by být dodána do vhodného elektrického a elektronického sběrného bodu nebo zařízení pro recyklaci.

Při likvidaci odpadu postupujte podle místních pokynů.

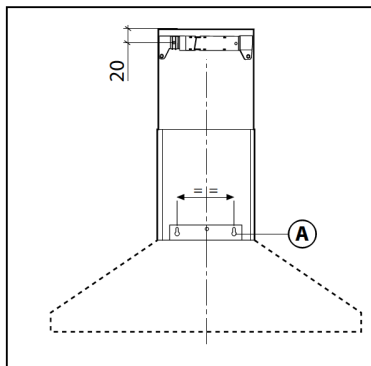
Pro více informací o likvidaci, opětovného využití a recyklaci tohoto výrobku, obraťte se na místní úřad, domácí sběrné služby nebo prodejce, kde byl přístroj zakoupen.

NÁVOD NA MONTÁŽ

- Montáž a elektrické připojení musí provádět specializovaná osoba.
- Před pokračováním v instalaci použijte ochranné rukavice.
- Elektrické připojení:
 - Přístroj byl vyroben jako třída II, proto není potřeba žádný zemnicí kabel. Po instalaci spotřebiče musí být přípojný bod snadno přístupný. Pokud je přístroj vybaven napájecím kabelem bez zástrčky, musí být vhodně dimenzovaný omnipolární spínačem s 3 mm minimálním otvorem mezi kontakty vloženým mezi spotřebičem a dodávkou elektřiny v souladu se zatížením a s platnými předpisy.
 - Připojení k síti se provádí následujícím způsobem:
Hnědá = L Živé vedení
Modré = N neutrální vedení
- Pokud je varná deska elektrická, plynová, nebo indukční, minimální vzdálenost mezi varnou deskou a nejnižší částí odsavače par musí být nejméně 65 cm. Pokud používáte spojovací trubku složenou ze dvou částí, musí být horní část umístěna mimo spodní část.
Nepřipojujte vývod odsavače par ke stejnému vodiči, který se používá k cirkulaci horkého vzduchu, nebo na odvádění zplodin z jiných přístrojů které nejsou provozovány z elektrických zdrojů.
Před pokračováním v montáži odstraňte tukové filtry (Obr. 1), čímž se usnadní manipulace zařízení.
- Pokud přístroj montujete v sací verzi, připravte otvor pro odvádění vzduchu.



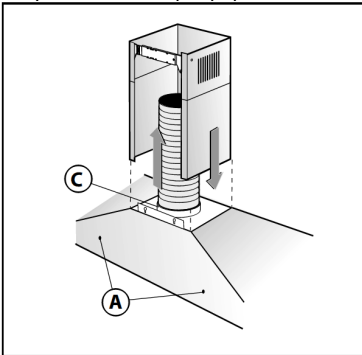
Obr. 1



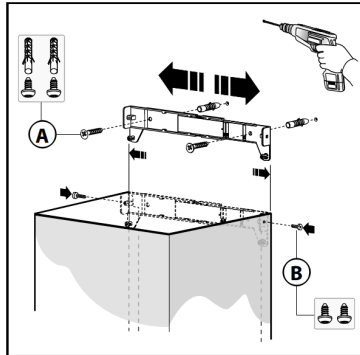
Obr. 2

- Doporučujeme používat odtahové potrubí vzduchu, které má stejný průměr jako výstupní otvor odpadního vzduchu. Pokud se použije roura s menším průměrem, může být snížena účinnost výrobku a jeho provoz může způsobovat více hluku.
- Pokud váš přístroj byl navržen pro použití v příbytcích dodávaných s centralizovaným sacím zařízením, proveďte tyto činnosti:
 - Ovládání otevírá a zavírá ventil pomocí termo elektrického zařízení. Přepnutím spínače do polohy ON, po minutě se ventil otevře otočením se o 90 °, čímž umožní nasávání použitého vzduchu. Přepnutím spínače do polohy OFF, se ventil uzavře po 100 sekundách.
- Připevnění na stěnu:
Vyrvejte otvory A, udržte vzdálenosti (Obr. 2).
Připevněte spotřebič ke stěně a vyrovnejte jej do vodorovné polohy k stěnovým jednotkám. Když je spotřebič nastaven, definitivně připevněte odsavač pomocí šroubů A (Obr. 3). V případě různých způsobů montáže použijte šrouby a hmoždinky vhodné pro typ stěny (např železobeton, sádkokarton, atd.).
V případě, že šrouby a hmoždinky jsou součástí produktu, zkontrolujte, zda jsou vhodné pro daný typ stěny, na

kteřý bude odsavač par připevňen.



Obr. 3

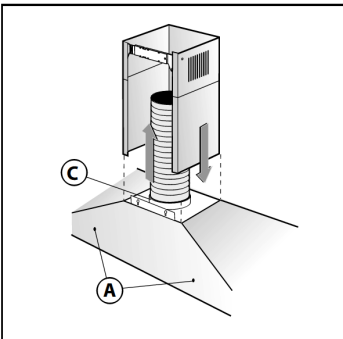


Obr. 4

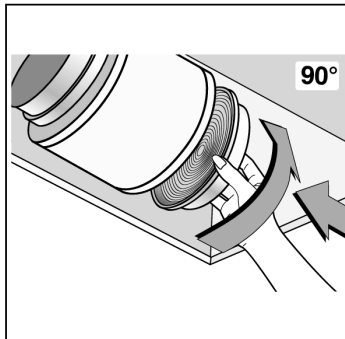
• Upevnění dekorativního teleskopického komína:

Uspořádejte elektrické napájení uvnitř dekoračního komína. Pokud je váš přístroj montován ve verzi s odsáváním nebo ve verzi s externím motorem, připravte otvor pro výstup vzduchu. Nastavte šířku nosné konzoly horního vývodu (Obr. 4). Pak ho připevněte ke stropu pomocí šroubů A (Obr. 4) takovým způsobem, aby byl rovnoměrný s odsavačem par a dodržujte vzdálenost od stropu jako je uvedeno na Obr. 2.

Připojte přírubu C do odsávacího otvoru s využitím propojovacího potrubí (Obr. 5). Vložte horní komín do spodního komína a ostatní část nad rám. Zvedněte horní komín do jeho držáku a upevněte jej šrouby B (Obr.4). Pokud chcete změnit odsavač par z potrubní verze na verzi filtrační, zeptejte se svého prodejce uhlíkových filtrů a postupujte podle pokynů k instalaci.



Obr. 5



Obr. 6

• Verze filtru:

Nainstalujte odsavač par a dva vývody, jak je uvedeno v odstavci pro instalaci odsavače par ve verzi s odtahem. Pokud chcete sestavit filtrační komín, postupujte podle instrukcí obsažených v soupravě. Pokud souprava není k dispozici, můžete ji objednat u svého prodejce jako příslušenství. Filtry musí být použity na sací jednotce umístěné uvnitř odsavače. Musí být ve středu, co dosáhnete otočením o 90 stupňů, až na doraz (Obr. 6).

POUŽITÍ ODSAVAČE

Ovládací prvky



Svítilno



- Stiskněte pro zapnutí / vypnutí světla

Rychlost - zvolte otáčky tak, aby vyhovovaly podmínkám vaření



Nízké - pomalé pečení / vaření. Stiskněte toto tlačítko pro spuštění nízkých otáček, opětovným stisknutím vypnete motor.



Střední - Smažení / vaření ve woku / silné vření. Stiskněte toto tlačítko pro spuštění otáček střední rychlosti, opětovným stisknutím vypnete motor.



Vysoké - Grilování, intenzivně smažení a vaření ve woku. Stiskněte toto tlačítko pro spuštění otáček vysokou rychlostí, opětovným stisknutím vypnete motor.



.. Extra (Booster)- Stiskněte toto tlačítko pro spuštění nejvyšší rychlosti, opětovným stisknutím vypnete motor.

Funkce Extra (Booster) *

Odsavač par má také funkci Extra (Booster). Chcete-li aktivovat funkci Extra (Booster), stiskněte tlačítko B, když je odsavač v provozu, zvýší tím svou rychlost na 8 minut, následně se opět zpomalí.

Doporučujeme zapnout odsavač par na několik minut před tím, než začnete vařit, a potom nechat běžet asi 8 minut po vaření, abyste zajistili, že všechny pachy budou odvedeny.

Přístroj nesmí používat děti nebo osoby se sníženými fyzickými, smyslovými nebo duševními schopnostmi, nebo nedostatkem zkušeností a znalostí, pokud nejsou pod dohledem nebo jim nebyly poskytnuty instrukce.

VAROVÁNÍ - Přístupné části se při použití s kuchyňskými spotřebiči mohou zahřát. Chcete-li osvětlit oblast vaření pod odsavačem par, přepněte tlačítko pro ovládání světla do polohy "ON". Pro vypnutí, znovu stiskněte tlačítko pro návrat do polohy "Off".

Pro ovládání odsavače par, stiskněte tlačítko pro požadovanou rychlost - zvolte: **1** nízkou, **2** střední, **3** nebo vysokou rychlost. Indikátor neonového světla se rozsvítí a signalizuje, kdy je ventilátor v provozu. Pro vypnutí stiskněte tlačítko "Off".

PÉČE A ČIŠTĚNÍ

Před čištěním nebo údržbou, vypněte přívod elektrické energie.

Výměna LED žárovek

Pokud je spotřebič verze s LED lampami, pro jejich výměnu je nutný zásah speciálního technika.

Vnější plášť

Všechny vnější části vnějšího pláště lze bezpečně vyčistit čistým hadříkem vyždímaným v horké mýdlové vodě. Nepoužívejte žravé pasty, abrazivní čisticí prášky, drátěnku, tvrdé nářadí, nebo jakékoliv výrobky obsahující chloridy, protože poškozují povrch.

Skvrny mohou být odstraněny pomocí čističe pro nerezovou ocel. Doporučujeme vyčistit celou oblast z nerezové oceli pro získání jednotného povrchu.

Ostré předměty mohou poškrábat povrch nerezové oceli, ale škrábance budou časem méně patrné.

Pokud chcete zachovat vzhled nerezové oceli, nebo chcete odstranit všechny mastné stopy, otřete povrch z nerezavějící oceli šetrně s minimálním množstvím dětského oleje s kuchyňskou papírovou utěrkou.

Nepoužívejte jedlé oleje na vaření, protože mohou obsahovat sůl, která může poškodit povrch z nerezavějící oceli.

Před čištěním nebo údržbou, vypněte přívod elektrické energie.

Pro zabránění jakémukoliv riziku požáru, musí být dodrženy následující pokyny k čištění:

Tukové filtry

Tukové filtry absorbují mastnoty a prach z kuchyňských výparů, které by jinak poškodily vnitřek odsavače.

Tukové filtry by měly být odstraněny a pravidelně vyčištěné - při běžném používání, alespoň jednou za 2 měsíce.

K čištění použijte teplou mýdlovou vodu, nebo jejich umyjte v myčce nádobí. Tukový filtr po vyčištění může mírně změnit barvu, ale to nemá vliv na jeho výkon.

Důležité: Je nezbytné časté čištění pro zamezení hromadění tuku ve filtru, které by se mohlo způsobit nebezpečí požáru.

1. Vyjměte filtry z odsavače.
2. Pečlivě omyjte tukový filtr v horké mýdlové vodě a osušte jej čistým ručníkem.
3. Namontujte čisté filtry.

Uhlíkové filtry (pouze modely nainstalován pro použití s metodou recirkulace)

Tyto filtry s aktivním uhlím absorbují pachy vznikající při vaření a při běžném použití je třeba je obnovit po 6 měsících. Náhradní uhlíkové filtry lze získat z naší centrály pro Péče o zákazníky (podrobnosti naleznete v zadní části příručky).

Nasycení aktivního uhlí ve filtru bude záviset na tom, jak často se používá odsavač par, na typu kuchyně a pravidelnost čištění tukových filtrů.

Uhlíkové filtry nelze čistit - vyměňte je každých 6 měsíců.

TECHNICKÉ ÚDAJE

Dodávky elektřiny

220 - 240V ~ 50Hz

Zařazení do tříd

I třída

Hlučnost (externí odvodušnění)

Plochý odsavač

Funkce Extra 72 dBA

Pozice 3 65 dBA

Pozice 1 52 dBA

Komínový odsavač par

Funkce Extra 72 dBA

Pozice 3 65 dBA

Pozice 1 52 dBA

Žárovky

2 x 1,5W LED

Motor

250W

Tukové filtry

3 vyjímatelné - Hliníkový panel

Poznámka: Po vyčištění tukových filtrů mohou trochu ztratit svou barvu - to nemá vliv na jejich výkon.

Uhlíkové filtry

2 vyjímatelné - k dispozici jako náhradní díly

Odsávací výkon (externí)

Plochý odsavač

Funkce Extra 805.8 m³ / h

Pozice 3 605.7 m³ / h

Pozice 1 280.0 m³ / h

Komínový odsavač par

Funkce Extra 805.8 m³ / h

Pozice 3 605.7 m³ / h

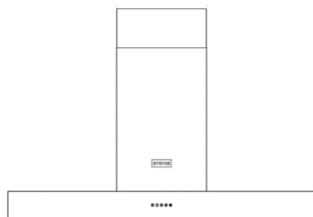
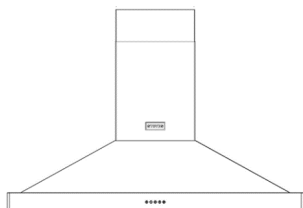
Pozice 1 280.0 m³ / h

PÉČE O ZÁKAZNÍKY STOVE

Country	Contact Address	Contact details
France	Glen Dimplex France ZI petite Montagne Sud 12 rue des Cévennes - Lisses 91017 EVRY cedex FRANCE	Service Number: 01 69 11 11 85 Tel: 00 33 (0)1 69 11 11 91 Fax: 00 33 (0)1 60 86 28 37 direction@glendimplex-france.fr www.glendimplex-france.fr
Holland/ Belgium	Glen Dimplex Benelux B.V. Nederland/Le Pays Bas Saturnus 8 8448 CC Heerenveen Tel: +31 (0) 513-656500 Fax: +31 (0) 513-656501 www.stoves.nl België/Belgique Burgemeester Maenhoutstraat 64 9820 Merelbeke Tel: +32 (0)92100210 Fax: +32 (0)92100212 www.stoves.be	Productregistratie/ Registration de produit www.gdbservice.com Serviceaanvraag/ Demande de service www.stoves.nl / www.stoves.be zie banner 'service' homepagina voir la bannière 'service' sur notre page d'accueil
Germany/ Austria	ELESCO EUROPA GmbH Karl-Wiechert-Allee 74a D-30625 Hannover	Telefon: +49-(0)511-5151 3360 Fax: +49 (0)511 5343 0910 info@elesco-europa.com www.vittoria5sterne.de
Poland	OPTIDATA Sp. z o. o., ul. Wielicka 50/5, 30-552 Kraków	+48 12 383 39 30 www.kuchniestoves.pl service.stoves@optidata.pl
Sweden	Lindström & Sondén AB Havsbadvägen 1 26263 Ängelholm	Tele: 010-1011656 Email: info@lsbolagen.se
Republic of Ireland	Glen Dimplex Ireland, Airport Road, Cloghran, Co. Dublin	Service Telephone No.' (01) 8428222 Service and Spare Parts. serviceireland@glendimplex.com
Other	Glen Dimplex Home Appliances, Stoney Lane, Prescott, Merseyside, L35 2XW	Tel: 0844 815 3740

S T O V E S

STOVES



**Stoves Emhætte
Brugermanual**

Indhold

Introduktion	2
Sikkerhedsforanstaltninger	3
Installationsinstruktioner	4
Brug af emhætten	6
Pleje og rengøring	7
Tekniske data	8
Stoves kundeservice	9

Introduktion

Tak for dit køb af denne høj kvalitets emhætte fra Stoves.

Vores politik er at konstant udvikle os og forbedre os. Streng nøjagtighed af illustrationer og specifikationer er ikke garanteret. Ændring til design og materialer kan være nødvendigt efter offentliggørelse.

Før du bruger apparatet første gang, skal du fjerne al emballage og beskyttende polyethylenfilm.

Dette apparat er beregnet til brug som en emhætte (luftudgang til udendørs forhold) eller filtrering (indendørs luftgenbrug).

Bemærk: Dette apparat leveres ikke med rørsystemer, eller kulfiltre. Detaljer for bestilling af disse dele er på bagsiden af manualen.

På grund af kompleksiteten og vægten af apparatet, anbefales det, at installationen udføres af fagfolk.

Producenten fralægger sig ethvert ansvar for skader forårsaget af forkert installation.

Læs denne manual omhyggeligt og gem den til senere brug.

SIKKERHEDSFORANSTALTNINGER

1. Vær forsigtig, når emhætten bruges samtidig med en åben pejs eller brænder, der afhænger af luften i miljøet. Emhætten fjerner luften fra miljøet, som en brænder eller pejs har behov for til forbrænding.

Undertrykket i miljøet må ikke overstige 4 PA (4x10⁻⁵ bar). Sørg for tilstrækkelig ventilation i miljøet for en sikker drift af emhætten. Følg de lokale love, der gælder for udskiftning af ekstern luft.

Før tilslutning af emhætten til elnettet skal du kigge på typeskiltet (placeret inden i apparatet) for at bekræfte, at spændingen og strømmen svarer til netværket og stikket er egnet. Er du i tvivl, så spørg en autoriseret elektriker.

Hvis strømforsyningskablet er beskadiget, skal det udskiftes. Dette kan gøres direkte fra producenten.

Denne enhed skal tilsluttes forsyningsnettet enten gennem et 3A-stik eller en 2 faset kontakt beskyttet af 3A sikring.

2. Advarsel!

Under visse omstændigheder kan elektriske apparater være en fare.

A) Du må ikke kontrollere status for filtrene, mens emhætten er i drift.

B) Rør ikke ved pærer eller tilstødende områder under eller efter længere tids brug af apparatet.

C) Flampering af mad er forbudt under emhætten.

D) Undgå fri flamme, da det er skadeligt for filtrene og udgør en brandfare.

E) Lad ikke mad uden opsyn, da overophedet olie kan blive en brandfare.

F) Afbryd den elektriske forbindelse forud for enhver vedligeholdelse.

G) Dette apparat er ikke beregnet til brug af børn eller svagelige personer uden opsyn.

H) Små børn skal holdes under opsyn for at sikre, at de ikke leger med apparatet.

I) Der skal være tilstrækkelig ventilation i rummet, når emhætten anvendes samtidig med apparater, der forbrænder gas eller andre, bortset elektriske brændstoffer.

L) Der er risiko for brand, hvis rengøringen ikke udføres i overensstemmelse med instruktionerne.

Dette apparat er i overensstemmelse med EU-direktiv EF/2002/96, affald af elektrisk og elektronisk udstyr (WEEE).

Symbolet på produktet eller på det medfølgende papirarbejde angiver, at apparatet ikke skal behandles som husholdningsaffald, men skal leveres til en passende genbrugsstation for elektriske og elektroniske apparater.

Følg de lokale retningslinjer, ved bortskaffelse af affald.

For mere information om behandling, genbrug og genanvendelse af dette produkt, bedes du kontakte din kommune, indenlandske renovationsordninger eller forhandler, hvor apparatet er købt.

INSTALLATIONSINSTRUKTIONER

- Montering og elektriske tilslutninger skal udføres af specialiseret personale.
- Bær beskyttelseshandsker, før du fortsætter med installationen.
- Elektrisk tilslutning:
 - Apparatet er fremstillet som et klasse II, derfor er intet jordkabel nødvendigt. Stikket skal være let tilgængeligt efter installation af apparatet. Hvis apparatet er udstyret med ledning uden stik, skal en passende dimensioneret flerpolet afbryder med mindst 3 mm åbning mellem kontakterne monteres mellem apparatet og elforsyningen i overensstemmelse med belastningen og gældende regler.
 - Tilslutningen til lysnettet udføres som følger:
BRUN = L linje
BLÅ = N neutral.
- Hvis kogepladen er el, gas eller induktion, skal den mindste afstand mellem denne og den nederste del af emhætten være mindst 65 cm. Hvis der anvendes et forbindelsesrør bestående af to dele, skal den øverste del placeres uden den nederste del.
Tilslut ikke emhætten til den samme leder der bruges til at cirkulere varm luft eller til at udlede dampe fra andre apparater, der genereres af andet end en elektrisk kilde.
Før du fortsætter med samleprocessen, fjern anti-fedtfilteret (figur 1), således at enheden er lettere at håndtere.
 - I tilfælde af at apparatet skal monteres med udgang til udenfor huset, forbered hullet til udledning af luft.

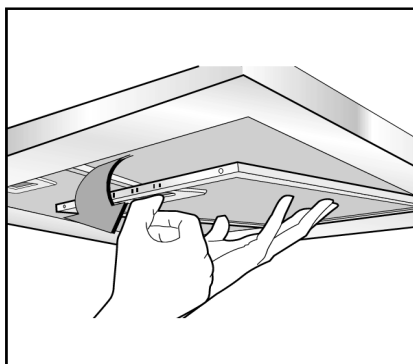


Fig.1

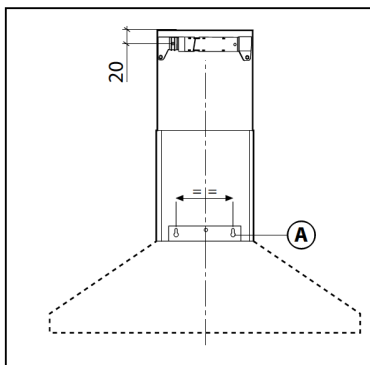


Fig.2

- Vi anbefaler brug af et luftør, som har den samme diameter som emhættens hul. Hvis der anvendes et rør med en mindre diameter, kan effektiviteten af produktet reduceres og dets funktion kan blive støjende.
- Hvis apparatet er designet til brug i boliger, der leveres med en centraliseret sugaanordning skal følgende handlinger udføres:
 - De kontakter der kontrollerer åbning og lukning af en ventil bruger et termoelektrisk apparat. Ved at placere kontakten på TIL, efter et minut, åbner ventilen sig 90 ° hvilket tillader sugning af brugt luft. Ved at placere kontakten i FRA-position, lukker ventilen efter 100 sekunder.
- Fastgørelse til væggen:
Bor hullerne A i den respektive afstand angivet (fig.2).
Fastgør apparatet til væggen og juster den i vandret position til overskabet. Når apparatet er justeret, skal emhætten fastgøres med skrueerne A (fig.3). For de forskellige apparater bruges skrueer og andet der passer til den aktuelle type væg (f.eks armeret beton, gipsplader, osv).
Hvis skrueer og skrueankre er forsynet med produktet, skal du kontrollere, at de er egnede til den type væg, som emhætten skal fastsættes.

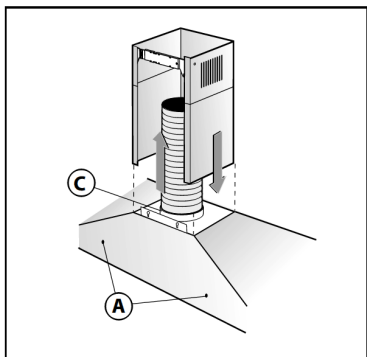


Fig.3

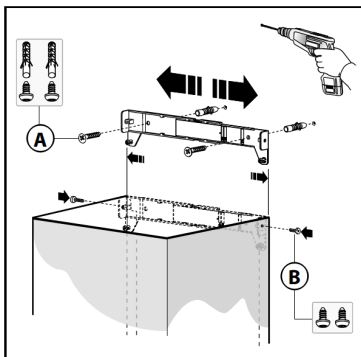


Fig.4

• Fastsættelse af den dekorative teleskopiske flue:

Arranger strømforsyningen indenfor dimensionerne af dekorative flue. Hvis apparatet skal installeres i kanalversion eller i den version med ekstern motor, forberede luften udstødning åbning. Tilpasse bredden af støttebeslaget af den øvre flue (Fig.4). Så ordne det til loftet ved hjælp af skruerne A (Fig.4) på en sådan måde, at det er i overensstemmelse med din hætte og respektere afstanden fra loftet er angivet i figur 2. Forbind flangen C til luft udstødning hul ved hjælp af en forbindelsesrør (fig.5). Sæt den øverste flue ind i den nedre flue og hvile over rammen. Uddrag den øverste flue op til beslaget, og fastgør den med skruerne B (Fig.4). At omdanne hætten fra en kanal-version i en filtrering udgave, så spørg din forhandler til kulfiltre og følge installationsvejledningen.

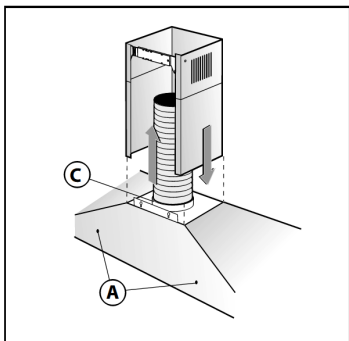


Fig.5

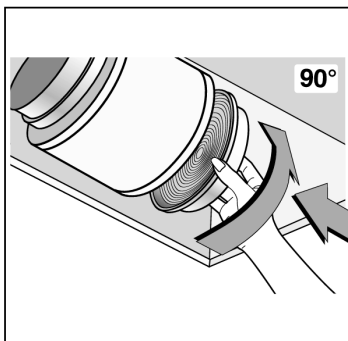


Fig.6

• Filtreringsversion:

Installer hætte og de to røgrør, som beskrevet i afsnittet om montering af emhætten i kanal-version. For at samle filtreringen flue henvises til instruktionerne i sættet. Hvis sættet ikke er forudsat, bestille den hos din forhandler som tilbehør. Filtrene skal anvendes på sugeenheden placeret inde i hætten. De skal være centreret ved at dreje dem 90 grader indtil stop fangst udløst (Fig.6).

BRUG AF EMHÆTTEN

Kontroller



Lampe



– Tryk for at tænde/slukke for lyset

Hastighed –vælg hastighed ifølge madlavningsforhold



Lav - Let stegning/kogning. Tryk på denne knap for lav hastighed, og igen for at slukke motoren.



Medium - Stegning/wokmadlavning/længerevarende kogning. Tryk på denne knap for medium hastighed og igen for at slukke motoren



Høj - Grill, intensiv stegning og wokmadlavning. Tryk på denne knap for høj hastighed og igen for at slukke motoren



Booster - Tryk på denne knap for højeste hastighed og igen for at slukke motoren.

Booster-funktion

Denne emhætte har en booster-funktion. For at aktivere boosterens, skal du trykke på knap B, mens emhætten er i brug, og det vil øge hastigheden i 8 minutter, før den sænkes igen.

Vi anbefaler, at du tænder for emhætten et par minutter, før du begynder at lave mad, og derefter lader den køre i ca. 8 minutter bagefter for at sikre, at alle lugte udvindes.

Apparatet må ikke bruges af børn eller personer med nedsat fysisk, sensorisk eller psykisk funktionsevne, eller manglende erfaring og viden, medmindre de er under opsyn eller har modtaget instruktion

ADVARSEL - Tilgængelige dele kan blive varme, når de bruges med kogeapparater. For at belyse madlavningsområdet under kølerhjelm, tryk på lysknappen til positionen "til". For at slukke, tryk igen for at vende tilbage til positionen "fra".

For at betjene emhætte, skal du trykke på knappen for den ønskede hastighed - vælg: **1** lav, **2** medium, eller **3** høj hastighed. Neon-indikatorlyset vil lyse op for at vise, når emhætten er i drift. For at slukke, tryk på "fra" knappen.

PLEJE OG VEDLIGEHOLDELSE

Før rengøring eller vedligeholdelse, sluk for elforsyningen.

Udskiftning af LED-lamperne

Hvis apparatet version er med LED-lamper, er det nødvendigt at tilkalde en specialuddannet tekniker til at udskifte dem

Ydre dele

Alle udvendige dele på ydre beklædning kan sikkert rengøres med en ren klud opvredet i varmt sæbevand. Brug ikke ætsende pastaer, slibende rengøringsmidler, ståluld, hårde redskaber, eller produkter indeholdende chlorider da de vil ødelægge overfladerne.

Genstridige pletter kan fjernes med et rengøringsmiddel til rustfrit stål. Vi anbefaler, at du rengør hele det rustfrie området for at opretholde en ensartet finish.

Skarpe genstande kan markere overfladen på rustfrit stål, men mærker bliver mindre mærkbare med tiden.

For at opretholde finish på det rustfrit stål, eller at fjerne eventuelle fedtede mærker, tør den rustfrie overflade sparsomt med lidt babyolie og køkkenrulle.

Brug ikke madolier, da disse kan indeholde salt, som kan beskadige overfladen på det rustfrit stål.

Før rengøring eller vedligeholdelse, sluk for el-forsyningen.

For at undgå enhver brandrisiko, skal følgende rengøringsanvisninger følges:

Fedtfiltre

Fedtfiltrene absorberer fedt og støv fra madlavningsdampe, som ellers ville beskadige indersiden af emhætten.

Fedtfiltrene bør fjernes og rengøres regelmæssigt - med normal brug, bør dette være hver 2. måned.

For at rense brug varmt sæbevand, eller vask i opvaskemaskine. Fedtfiltrene kan let skifte farve efter vask, men dette påvirker ikke deres ydeevne.

Vigtigt: Hyppig vask er afgørende for at forhindre en ophobning af fedt i filtrene, som kan blive en brandfare.

1. Fjern filtrene fra emhætten.
2. Vask forsigtigt fedtfiltrene i varmt sæbevand og tør med et rent håndklæde.
3. Monter de rene filtre.

Kulfiltre (kun modeller installeret til brug sammen med gencirkulationsmetode)

Kulfiltrene absorberer madlavningslugte og skal fornyes efter ca. 6 måneders normal brug. Nye kulfiltre kan bestilles fra vores Kundeservice (detaljer på bagsiden af manualen).

Mætning af aktivt kul i filteret, vil afhænge af, hvor ofte emhætten bruges, typen af køkkenet og rigtig rengøring af fedtfilteret.

Kulfiltre kan ikke vaskes – men skal erstattes hver 6. måned.

TEKNISKE DATA

Elektrisk forsyning

220 – 240 V ~ 50 Hz

Klassifikation

Klasse I

Støjniveau (Ekstern ventilation)

Flad emhætte

Booster	72 dBA
Position 3	65 dBA
Position 1	52 dBA

Skorstens-emhætte

Booster	72 dBA
Position 3	65 dBA
Position 1	52 dBA

Lyspærer

2 x 1,5 W LED

Motorbedømmelse

250 W

Fedtfiltre

3 fra - Aluminiumspanel

Bemærk: Fedtfiltrene kan let skifte farve efter vask, men dette påvirker ikke deres ydeevne.

Kulfiltre

2 fra – Tilgængelige som reservedele

Udvindingsrate (Ekstern)

Flad emhætte

Booster	805.8 m ³ /T
Position 3	605.7 m ³ /T
Position 1	280.0 m ³ /T

Skorstensemhætte

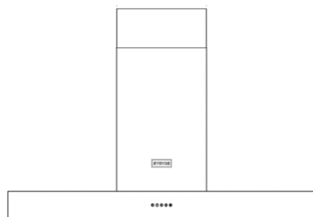
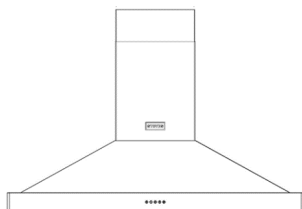
Booster	805.8 m ³ /T
Position 3	605.7 m ³ /T
Position 1	280.0 m ³ /T

STOVES KUNDESERVICE

Country	Contact Address	Contact details
France	Glen Dimplex France ZI petite Montagne Sud 12 rue des Cévennes - Lisses 91017 EVRY cedex FRANCE	Service Number: 01 69 11 11 85 Tel: 00 33 (0)1 69 11 11 91 Fax: 00 33 (0)1 60 86 28 37 direction@glendimplex-france.fr www.glendimplex-france.fr
Holland/ Belgium	Glen Dimplex Benelux B.V. Nederland/Le Pays Bas Saturnus 8 8448 CC Heerenveen Tel: +31 (0) 513-656500 Fax: +31 (0) 513-656501 www.stoves.nl België/Belgique Burgemeester Maenhoutstraat 64 9820 Merelbeke Tel: +32 (0)92100210 Fax: +32 (0)92100212 www.stoves.be	Productregistratie/ Registration de produit www.gdbservice.com Serviceaanvraag/ Demande de service www.stoves.nl / www.stoves.be zie banner 'service' homepagina voir la bannière 'service' sur notre page d'accueil
Germany/ Austria	ELESCO EUROPA GmbH Karl-Wiechert-Allee 74a D-30625 Hannover	Telefon: +49-(0)511-5151 3360 Fax: +49 (0)511 5343 0910 info@elesco-europa.com www.vittoria5sterne.de
Poland	OPTIDATA Sp. z o. o., ul. Wielicka 50/5, 30-552 Kraków	+48 12 383 39 30 www.kuchniestoves.pl service.stoves@optidata.pl
Sweden	Lindström & Sondén AB Havsbadsvägen 1 26263 Ängelholm	Tele: 010-1011656 Email: info@lsbolagen.se
Republic of Ireland	Glen Dimplex Ireland, Airport Road, Cloghran, Co. Dublin	Service Telephone No.' (01) 8428222 Service and Spare Parts. serviceireland@glendimplex.com
Other	Glen Dimplex Home Appliances, Stoney Lane, Prescott, Merseyside, L35 2XW	Tel: 0844 815 3740

S T O V E S

STOVES



Stoves Afzuigkap
Gebruikershandleiding

Inhoudsopgave

Inleiding	2
Veiligheidsvoorzorgen	3
Installatie-instructies	4
Gebruik van de afzuigkap	6
Zorg en Schoonmaak	7
Technische Gegevens	8
Stoves Klantenzorg	9

INLEIDING

Dank u voor het kopen van deze hoge kwaliteit afzuigkap van Stoves.

Ons beleid is gebaseerd op een voortdurende ontwikkeling en verbetering. Strikte nauwkeurigheid van illustraties en specificaties is niet gegarandeerd. Wijziging van ontwerp en materialen is eventueel nodig na publicatie.

Voordat u het toestel voor het eerst gebruikt, verwijder alle verpakkingen en beschermende polyethyleen film.

Dit apparaat is ontworpen voor gebruik als een afzuigkap (luchtafzuiging naar buiten) of filter (recycleren van binnenlucht).

Opmerking: Dit toestel wordt niet geleverd met kanaalsysteem of koolstoffilters. Details voor het bestellen van deze onderdelen zijn te vinden achteraan dit handboek.

Vanwege de complexiteit en het gewicht van het toestel is het raadzaam dat de installatie wordt uitgevoerd door gespecialiseerd personeel.

De fabrikant wijst alle verantwoordelijkheid voor schade af veroorzaakt door onjuiste installatie.

Lees deze handleiding aandachtig en bewaar voor toekomstig gebruik.

VEILIGHEIDSVOORZORG

1. Wees voorzichtig wanneer de afzuigkap gelijktijdig werkt met een open haard of brander die afhangen van de lucht in de omgeving. De afzuigkap verwijdert de lucht uit de omgeving die de brander of open haard nodig hebben voor verbranding.

De negatieve druk in de omgeving mag niet hoger zijn dan 4Pa (4×10^{-5} bar). Zorg voor voldoende ventilatie in de omgeving voor een veilig gebruik van de afzuigkap. Leef de plaatselijke wetten na die van toepassing zijn voor externe luchtafvoering.

Bekijk het gegevensplaatje (gepositioneerd binnen in het toestel) om te bevestigen dat de spanning en vermogen overeenkomen met het netwerk en dat de aansluiting geschikt is voordat u het model aansluit op het elektriciteitsnet. In het geval van twijfel moet een gekwalificeerde elektrotechnicus geraadpleegd worden. Als de aansluitkabel beschadigd is moet deze vervangen worden. Deze kabel kan rechtstreeks bij de fabrikant verkregen worden.

Dit apparaat moet worden aangesloten op het elektriciteitsnet via een stekker voorzien van een 3A zekering of bekabeld met een 2 fase aftakking beschermd door een 3A zekering.

2. Waarschuwing!

In bepaalde omstandigheden zijn elektrische apparaten mogelijk een gevaar.

- A) Controleer de status van de filters niet terwijl de afzuigkap ingeschakeld is.
- B) Raak de lampen of aangrenzende gebieden niet aan tijdens of onmiddellijk na langdurig gebruik van de verlichtingsinstallatie.
- C) Flamberend koken is verboden onder de afzuigkap.
- D) Vermijd een naakte vlam omdat het schadelijk is voor de filters en het een brandgevaar vormt.
- E) Laat geen voedsel zonder toezicht frituren omdat oververhitte olie een brandgevaar kan vormen.
- F) Verbreek de elektrische verbinding voorafgaand aan alle onderhoud.
- G) Dit apparaat is niet bedoeld voor gebruik door jonge kinderen zonder toezicht of personen slecht ter been.
- H) Jonge kinderen moeten onder toezicht staan om ervoor te zorgen dat zij niet spelen met het toestel.
- I) Er moet voldoende ventilatie bestaan in de ruimte wanneer de afzuigkap wordt gebruikt op hetzelfde moment als toestellen die op gas branden en andere brandstoffen of andere dan elektriciteit.
- L) Er bestaat een brandrisico als het schoonmaken niet wordt uitgevoerd volgens de instructies.

Dit apparaat voldoet aan de Europese Richtlijn EG/2002/96, Afgedankte Elektrische en Elektronische Apparatuur (AEEA).

Het symbool op het product of op de begeleidende documenten geeft aan dat het toestel niet mag worden behandeld als huishoudelijk afval maar verwijderd moet worden via een geschikt elektrisch en elektronisch toestel recycling inzamelpunt.

Volg lokale richtlijnen bij het verwijderen van afval.

Voor meer informatie over de behandeling, hergebruik en recycling van dit product, neem contact met uw lokale overheid, plaatselijke afvalinzamelingsdienst of de winkelier waar het toestel werd gekocht.

INSTALLATIE-INSTRUCTIES

- Montage en elektrische verbindingen moeten worden uitgevoerd door gespecialiseerd personeel.
- Draag beschermende handschoenen voordat u verdergaat met de installatie.
- Elektrische aansluiting:
 - Het toestel is vervaardigd als een klasse II en daarom is er geen aardingskabel vereist. De elektriciteitsaansluiting moet gemakkelijk toegankelijk zijn na de installatie van het toestel. Als het toestel is uitgerust met een stroomkabel zonder stekker moet een voldoende gedimensioneerde multipolaire schakelaar voorzien worden met een minimum opening van 3 mm van de contacten aangebracht tussen het toestel en de elektriciteitsaansluiting met inachtneming van de belasting en de huidige regelgeving.
 - De aansluiting op het lichtnet wordt als volgt uitgevoerd:
BRUIN = L lijn
BLAUW = N neutraal.
 - Als de kookplaat elektrisch, gas of inductie is moet de minimale afstand tussen hetzelfde en het onderste deel van de kap minstens 65 cm bedragen. Als een verbindingsbuis bestaande uit twee delen wordt gebruikt, moet het bovenste deel worden geplaatst buiten het onderste deel.
- Sluit de afzuigkapafvoer niet aan op hetzelfde kanaal als gebruikt om de hete lucht te circuleren of voor het afvoeren van dampen van andere apparaten die zijn gegenereerd door andere dan een elektrische voeding. Voordat u verder gaat met de montage moet de anti-vetfilter(s) verwijderd worden (Fig.1) zodat het toestel gemakkelijker te hanteren is.
- In het geval van montage van het toestel in de afzuigversie moet het gat voor de afvoere van de lucht voorbereid worden.

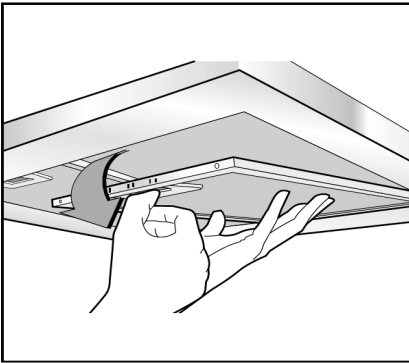


Fig.1

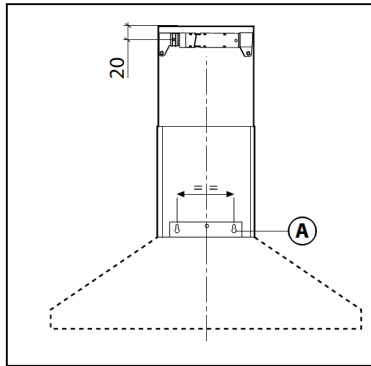


Fig.2

- We raden het gebruik aan van een luchtafvoerbuiss met dezelfde diameter als de luchtafvoeropening. Als een pijp met een kleinere diameter wordt gebruikt, kan de efficiëntie van het product worden verminderd en de werking ervan kan luidruchtiger worden.
- Als uw toestel ontworpen is voor gebruik in woningen voorzien van een gecentraliseerd afzuig-apparaat moeten de volgende bewerkingen uitgevoerd worden:
 - De schakelbediening opent en sluit de kleppen d.m.v. een thermo-elektrisch apparaat. Door het aanschakelen van de schakelaar opent de klep 90°, roterend na een minuut. De muffe lucht wordt dan afgezogen. Door het uitschakelen van de schakelaar sluit de klep na 100 seconden
- Bevestiging aan de muur:
Boor de gaten A in overeenstemming met de aangegeven afstanden (Fig. 2).
Bevestig het toestel aan de wand en lijn het uit in horizontale positie tegenover de muurstellen. Wanneer het toestel is aangepast moet de afzuigkap definitief bevestigd worden met gebruik van de schroeven (Fig.3).
Voor de verschillende installaties moeten schroeven en schroefankers gebruikt worden die geschikt zijn voor het type van muur (b.v. gewapend beton, gipsplaat, enz.).
Als de schroeven en schroefankers zijn voorzien met het product moet er gecontroleerd worden dat ze geschikt zijn voor het type muur waarop de afzuigkap gaat gemonteerd worden.

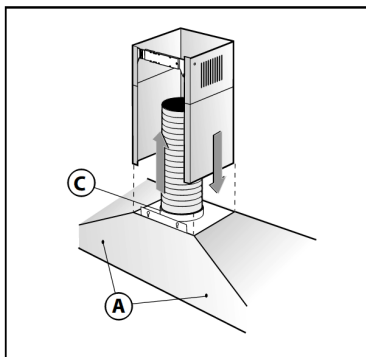


Fig.3

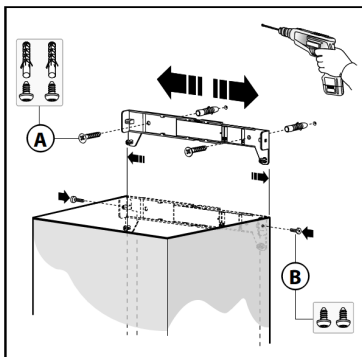


Fig.4

• **Montering van de decoratieve telescopische schoorsteen:**

Voorzie de elektrische voeding binnen in de decoratieve schoorsteen. Als het te monteren toestel van het type is met kanalen of het type met een externe motor moet de opening voor luchtafvoer voorbereid worden. Pas de breedte van de steunbeugel van de bovenste schoorsteen aan (fig. 14). Bevestig dan aan het plafond met de schroeven A (Fig.4) op zodanige wijze dat het er uitlijning optreedt met de afzuigkap met inachtneming van de afstand van het plafond aangegeven in Fig. 2.

Verbind de flens C met de opening voor de luchtafvoer met behulp van een verbindingspijp (Fig. 5). Voeg de bovenste schoorsteen in de lagere schoorsteen in en laat rusten bovenop het frame. Trek de bovenste schoorsteen uit naar de beugel en bevestig met de schroeven B (Fig.4). Vraag uw dealer naar de houtskoolfilters voor het veranderen van een afzuigkap met kanaalsysteem naar een filterversie en volg de installatie-instructies.

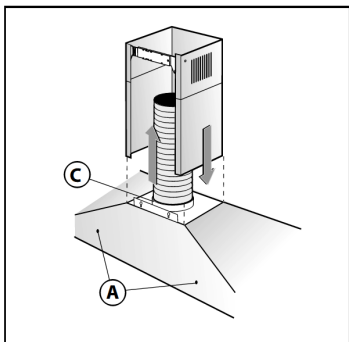


Fig. 5

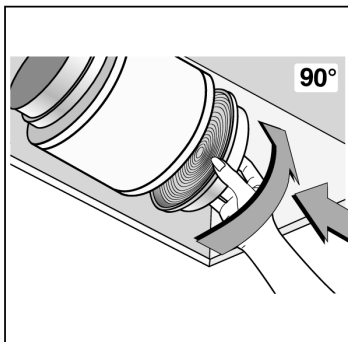


Fig.6

• **Filterversie:**

Installeer de afzuigkap en de twee schoorstenen zoals beschreven in de paragraaf voor installatie van de afzuigkap in de versie met een kanaalsysteem. Voor het monteren van de filterschoorsteen moet u de instructies vervat in de kit raadplegen. Als de kit niet beschikbaar is, moet deze besteld worden bij uw dealer als toebehoren. De filters moeten worden gemonteerd op de zuig-eenheid gepositioneerd binnen de kap. Ze moeten worden gecentreerd door ze 90 graden te draaien tot de stopbeveiliging optreedt (Fig.6).

GEBRUIK VAN DE AFZUIGKAP

Bediening



Lamp



- Indrukken om lampje in te schakelen / uit te schakelen

Snelheid – Selecteer snelheid volgens de kookomstandigheden



Laag - Licht frituren/koken. Druk op deze knop om over te gaan naar lage snelheid en om de motor opnieuw uit te schakelen.



Medium- Frituren/wokken/intensief koken. Druk op deze knop om over te gaan naar medium snelheid en om opnieuw de motor uit te schakelen



Hoog - Grillen, intensief frituren en wokken. Druk op deze knop om over te gaan naar hoge snelheid gaan en om de motor opnieuw uit te schakelen



Booster - Druk op deze knop om over te gaan naar de hoogste snelheid en om de motor opnieuw uit te schakelen.

Boosterfunctie

Deze afzuigkap heeft ook een boosterfunctie. Druk op de knop B voor activatie van de booster terwijl de afzuigkap in gebruik is en de snelheid zal verhoogd worden gedurende 8 minuten alvorens opnieuw te verlagen. Het is raadzaam dat u de afzuigkap enkele minuten inschakelt voordat u begint te koken, laat het toestel voor ongeveer 8 minuten draaien om ervoor te zorgen dat alle geuren worden afgevoerd.

Het toestel mag niet worden gebruikt door kinderen of personen met verminderde lichamelijke, zintuiglijke of geestelijke vermogens, of gebrek aan ervaring en kennis, tenzij zij onder toezicht staan of instructies hebben gekregen.

WAARSCHUWING - bereikbare delen worden mogelijk heet wanneer gebruikt in combinatie met kooktoestellen. Voor het verlichten van het kookgebied onder de afzuigkap drukt u op de knop voor de lichtbediening zodat deze zich in de "ON" (aan) positie bevindt. Voor het uitschakelen drukt u opnieuw op de knop om terug te keren naar de "UIT" (OFF) positie.

Voor het bedienen van de afzuigkap drukt u op de knop voor de gewenste snelheid - kies: 1 laag (low), gemiddeld (medium) 2 of 3 hoge snelheid (high speed). Het neonlampje zal oplichten om te tonen wanneer de ventilator draait. Voor het uitschakelen drukt u op de knop "UIT" (off).

ZORG & SCHOONMAKEN

Voordat u het toestel gaat schoonmaken of onderhoud gaat uitvoeren moet de elektriciteitsvoorziening uitgeschakeld worden.

Vervanging van de LED-lampjes

Als de toestelversie voorzien is van LED-lampjes is de tussenkomst van een gespecialiseerde elektrotechnicus nodig om ze te vervangen

Uitwendige Behuizing

Alle externe onderdelen van de uitwendige behuizing kunnen veilig worden gereinigd met een schone doek die uitgewrongen werd in warm zeepsop.

Gebruik geen bijtende pasta's, schurende schoonmaakpoeders, staalwol, harde werktuigen of producten die chloriden bevatten omdat deze schade aan de oppervlakken zullen veroorzaken.

Moeilijk te verwijderen vlekken kunnen verwijderd worden met een reinigingsmiddel voor roestvrij staal. Het is raadzaam dat u het geheel van het roestvrij staal gebied reinigt om een uniforme afwerking te behouden.

Scherpe voorwerpen kunnen sporen nalaten op het oppervlak van het roestvrije staal maar deze zullen minder merkbaar worden na verloop van tijd.

Om de afwerking van het roestvrij staal te behouden of om vetvlekken af te vegen moet het roestvrij stalen oppervlak spaarzaam met een minimum hoeveelheid aan Baby-olie en keukenpapier behandeld worden.

Gebruik geen kookolie 's omdat deze zout bevatten die het roestvrije stalen oppervlak kunnen beschadigen.

Voordat u het toestel gaat schoonmaken of onderhoud gaat uitvoeren moet de elektriciteitsvoorziening uitgeschakeld worden.

Om alle brandrisico's te voorkomen moeten de volgende reiniging instructies worden gevolgd:

Vetfilters

De vetfilters absorberen vet en stof uit de kookdampen die anders schade aan de binnenkant van de afzuigkap zouden aanbrengen.

De vetfilters moeten worden verwijderd en regelmatig gereinigd worden - bij normaal gebruik moet dit elke 2 maanden uitgevoerd worden.

Voor het schoonmaken gebruikt u warm zeepsop of wast u de filters in de vaatwasser. De vetfilters kunnen enigszins van kleur wijzigen na het wassen maar dit heeft geen invloed op hun prestaties.

Belangrijk: de frequente van het wassen is van essentieel belang om te voorkomen dat vet opbouwt in de filters wat kan leiden tot brandgevaar.

1. Verwijder de filters uit de afzuigkap.
2. Was de vetfilters grondig in warm zeepsop en droog met een schone handdoek.
3. Monteer de schone filters opnieuw.

Koolstoffilters (enkel voor de modellen geïnstalleerd met de hercirculatie methode)

De koolstoffilters absorberen kookgeuren en moeten worden vernieuwd na ongeveer 6 maanden van normaal gebruik. Vervanging van de koolstoffilters kan worden verkregen bij onze Klantenzorg (details op de achterzijde van het handboek).

Verzadiging van de actieve koolstof in de filter zal afhangen van hoe vaak de afzuigkap is gebruikt, het type van keuken en de regelmatigheid van schoonmaken van de vetfilter.

De koolstoffilters kunnen niet worden gewassen - vervang om de 6 maanden.

TECHNISCHE GEGEVENS

Elektriciteitsvoorziening

220 - 240V ~ 50Hz

Classificatie

klasse I

Geluidsniveau (externe ontluchting)

Vlakke afzuigkap

Booster 72 dBA

Positie 3 65 dBA

Positie 1 52 dBA

Schoorsteen Afzuigkap

Booster 72 dBA

Positie 3 65 dBA

Positie 1 52 dBA

Lampen

2 x 1,5 W LED

Motorclassificatie

250 W

Vetfilters

3 UIT - Aluminium paneel

Opmerking: Na het schoonmaken kunnen de vetfilters hun kleur lichtjes verliezen - dit heeft geen invloed op de prestaties.

Koolstoffilters

2 Uit - beschikbaar als vervanging

Afzuigcapaciteit (extern)

Vlakke afzuigkap

Booster 805.8 m3/H

Positie 3 605.7 m3/H

Positie 1 280.0 m3/H

Schoorsteen Afzuigkap

Booster 805.8 m3/H

Positie 3 605.7 m3/H

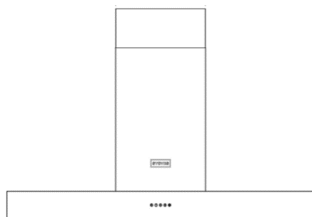
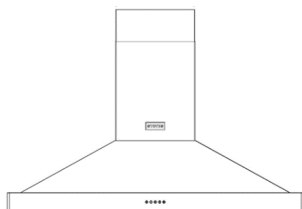
Positie 1 280.0 m3/H

STOVES KLANTENZORG

Country	Contact Address	Contact details
France	Glen Dimplex France ZI petite Montagne Sud 12 rue des Cévennes - Lisses 91017 EVRY cedex FRANCE	Service Number: 01 69 11 11 85 Tel: 00 33 (0)1 69 11 11 91 Fax: 00 33 (0)1 60 86 28 37 direction@glendimplex-france.fr www.glendimplex-france.fr
Holland/ Belgium	Glen Dimplex Benelux B.V. Nederland/Le Pays Bas Saturnus 8 8448 CC Heerenveen Tel: +31 (0) 513-656500 Fax: +31 (0) 513-656501 www.stoves.nl België/Belgique Burgemeester Maenhautstraat 64 9820 Merelbeke Tel: +32 (0)92100210 Fax: +32 (0)92100212 www.stoves.be	Productregistratie/ Registration de produit www.gdbservice.com Serviceaanvraag/ Demande de service www.stoves.nl / www.stoves.be zie banner 'service' homepagina voir la bannière 'service' sur notre page d'accueil
Germany/ Austria	ELESCO EUROPA GmbH Karl-Wiechert-Allee 74a D-30625 Hannover	Telefoon: +49-(0)511-5151 3360 Fax: +49 (0)511 5343 0910 info@elesco-europa.com www.vittoria5sterne.de
Poland	OPTIDATA Sp. z o. o., ul. Wielicka 50/5, 30-552 Kraków	+48 12 383 39 30 www.kuchniestoves.pl service.stoves@optidata.pl
Sweden	Lindström & Sondén AB Havsbadvägen 1 26263 Ängelholm	Tele: 010-1011656 Email: info@lsbolagen.se
Republic of Ireland	Glen Dimplex Ireland, Airport Road, Cloghran, Co. Dublin	Service Telephone No.' (01) 8428222 Service and Spare Parts. serviceireland@glendimplex.com
Other	Glen Dimplex Home Appliances, Stoney Lane, Prescott, Merseyside, L35 2XW	Tel: 0844 815 3740

S T O V E S

STOVES



**Stoves õhupuhasti pliidile
Kasutusjuhend**

Sisukord

Sissejuhatus	2
Ettevaatusabinõud	3
Paigaldamise juhised	4
Õhupuhasti kasutamine	6
Hooldus ja puhastamine	7
Tehnilised andmed	8
Stoves klienditeenindus	9

Sissejuhatus

Täname Teid, et olete ostnud Stoves kõrgekvaliteedilise õhupuhasti. Püüdleme alati pideva arengu ja paremate toodete suunas. Jooniste ja tehnilise kirjelduse üksikasjalik täpsus ei ole garanteeritud. Koostet ja materjale võib olla pärast avaldamist muudetud.

Enne toote esmakordset kasutamist tuleb eemaldada kogu pakend ja kaitsekile.

Kodumasin on mõeldud õhu ventileerimiseks (eemaldamiseks välitingimustesse) või filtreerimiseks (õhuringlus siseruumides).

Märkus: komplekti ei kuulu torude paigalduskomplekt ega süsinikfiltrid. Nende tellimise kohta leiate informatsiooni käsiraamatu tagumiselt küljelt.

Kuna kodumasin on keerukas ja raskekaaluline, soovitame paigaldamiseks kasutada spetsialistide abi.

Tootja ei vastuta vale paigaldamise tõttu tekkinud kahjude eest.

Lugege neid juhendeid hoolikalt ning hoidke need edaspidiseks kasutamiseks alles.

ETTEVAATUSABINÕUD

1. Olge ettevaatlik, kui kasutate õhupuhastit üheaegselt avatud tulekolde või põletiga, mis sõltub keskkonnas sisalduvast hapnikust. Õhupuhasti eemaldab ümbritsevast keskkonnast tulekolde või põleti jaoks tarvilikku hapnikku.

Keskkonna negatiivne rõhk ei tohi ületada 4Pa (4x10⁻⁵ bar). Õhupuhasti ohutuks kasutamiseks on oluline tagada piisav ventilatsioon. Järgige välisõhu eemaldamisel kohalikku seadusandlust.

Kontrollige enne mudeli elektrivõrgu ühendamist toote andmeplaati (asub siseküljel) ja veenduge, et nõutud pinge ja võimsus vastab Teie elektrisüsteemile. Kui te pole kindel, konsulteerige kvalifitseeritud elektrikuga. Kahjustatud toitekaabel tuleb alati asendada. Asenduskaabli saate tootjalt.

Seade tuleb ühendada pistikuga 3A kaitsmega elektrivõrku või ühendada otse 2-faasilise haruliiniga turvatud ja 3A kaitsmega võrku.

2. Ettevaatust!

Teatud oludes võivad elektrilised kodumasinad olla ohtlikud.

- a) Ärge kunagi kontrollige filtreid õhupuhasti töötamise ajal.
- b) Ärge puudutage valgusti lampe töö ajal, kohe töötamise järel või pärast pikaajalist kasutamist.
- c) Õhupuhasti all ei ole lubatud teha süüa lahtise leegiga (flambé).
- d) Vältige lahtise leegi kasutamist, see kahjustab filtreid ja on tuleohtlik.
- e) Ärge jätke praadivat toitu järelevalveta, üle kuumenev õli võib olla tuleohtlik.
- f) Eemaldage masin enne mistahes hooldustöid alati elektrivõrgust.
- g) Kodumasin ei ole mõeldud kasutamiseks järelevalveta laste või nõrga tervisega isikute poolt.
- h) Valvake lapsi ja hoolitsege selle eest, et nad kodumasinaga ei mängiks.
- i) Tagage alati õhupuhasti ja gaasi või muude kütete peale elektri kasutamisel ruumides piisav ventilatsioon.
- l) Seadme juhiste kohane puhastamata jätmine võib põhjustada tulekahju ohu.

Kodumasin vastab Euroopa direktiivile EÜ/2002/96 elektri- ja elektroonikaseadmete jäätmete kohta (WEEE).

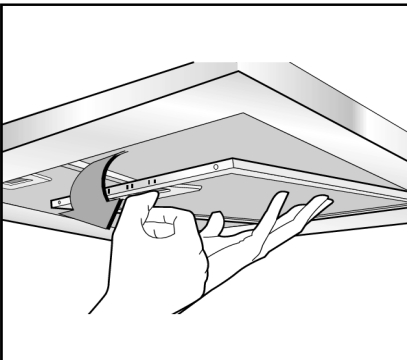
Tootel või dokumentides leiduv sümbol tähendab, et kodumasinast ei tohi vabaneda majapidamisjäätmete seas vaid tuleb viia asjakohasesse elektri- ja elektroonikajäätmete kogumispunkti.

Järgige jäätmetest vabanemisel kohalikke eeskirju.

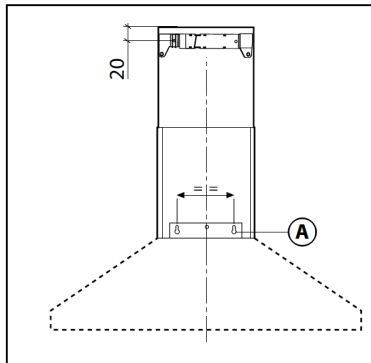
Täpsemat teavet toote käsitlemise, ümbertöötlemise ja jäätmelise vabanemise kohta saate kohalikest omavalitsusest, jäätmeteenuse pakkumisest või kodumasinaga müünud kauplusest.

PAIGALDAMISE JUHISED

- Kodumasina tohib kokku panna ja elektriühendusi teha vaid vastav spetsialist.
- Kandke paigaldamisel kaitsekindaid.
- Elektriühendus:
 - Tegemist on II klassi kodumasinaga, seega ei ole maanduskaabel vajalik. Toiteallikas peab ka pärast kodumasina paigaldamist lihtsasti juurdepääsetav olema. Kui kodumasina toide tuleb ilma pistikuga juhtmest, tuleb kodumasina ja elektrivarustuse vahele paigaldada vastav omnipolaarne lüliti, mille kontaktide vahel peab olema vähemalt 3 mm. Jälgige vastavust koormuse ja voolu kohta käivatele nõuetele.
 - Vooluvõrgu ühendused tuleb sooritada järgnevalt:
PRUUN = L juhe
SININE = N neutraalne
- Elektri- gaasi- või induktsoonpliidi kasutamisel peab pliidi ja õhupuhasti vahele jääma vähemalt 65 cm. Kaheosalise äravoolutoru kasutamisel tuleb ülemine osa asetada alumise osa ümber. Ärge ühendage õhupuhasti äravoolu koos kuuma õhu tsirkulatsiooniks või muude kodumasinate aurude eemaldamiseks kasutatavate äravooludega. Eemaldage rasvafiltrid (Joonis 1) enne kokkupanemisega alustamist. Üksust on sedasi lihtsam käsitleda.
 - Kui kasutate kodumasinat õhku eemaldava versioonina, valmistage eelnevalt ette õhu eemaldamiseks kasutatav ava.

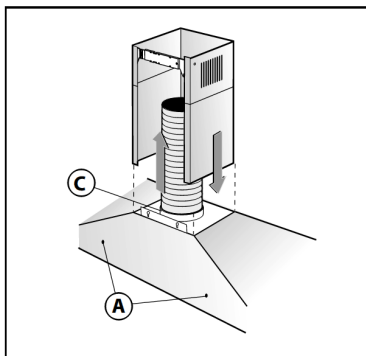


Joonis 1

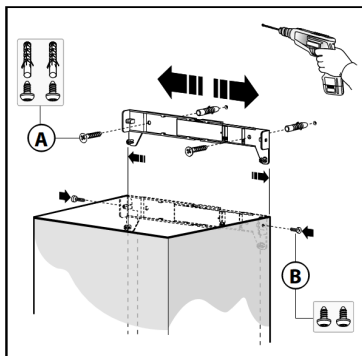


Joonis 2

- Soovitame kasutada äravoolutoru, mille diameeter vastab väljalaskesüsteemi otsale. Väiksema diameetriga toru kasutamisel võib toote tõhusus väheneda ja müratase kasvada.
- Kui teie kodumasin on mõeldud kasutamiseks keskse väljatõmbesüsteemiga hoonetes, teostage järgnevad sammud:
 - Ventili sulgemist ja avamist termoelektriliselt juhtiv lüliti. Kui lüliti on asendis SEES, avaneb minuti pärast ventiil ja pöörab 90°, võimaldades sedasi õhu eemaldamist. Kui lüliti on asendis VÄLJAS, suletakse lüliti 100 sekundi möödudes.
- Seinale kinnitamine:
Puurige augud A vastavalt näidatud vahemaadele (Joonis 2). Kinnitage kodumasin seinale ja joondage horisontaalselt sein üksustele. Kui kodumasin on paigas, kinnitage õhupuhasti lõplikult kruvidega A (Joonis 3). Kasutage sein tüübile (kips, betoon, jne.) vastavaid kruvisid ja seinankruvid.
Kui saite kruvid ja ankrud koos tootega veenduge, et need sobivad Teie sein tüübiga.



Joonis 3

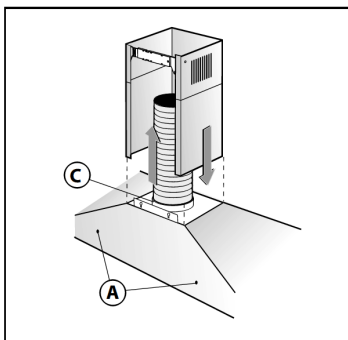


Joonis 4

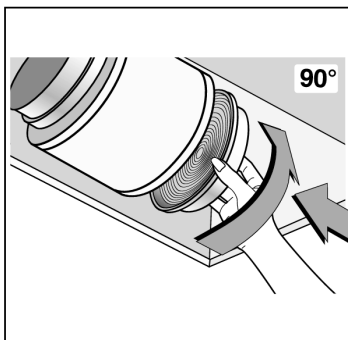
• Dekoratiivse teleskooplõõri kinnitamine:

Paigutage toiteallikas teleskooplõõri mõõtmetesse. Kui paigaldate kodumasina torudega versioonis või välise mootoriga versioonis, valmistage ette õhu äravooluava. Reguleerige ülemise lõõri tugikinnituse laiust (Joonis 4). Kinnitage see kruvidega A (Joonis 4) lakke sedasi, et see joonduks õhupuhastiga ja vastaks ettenähtud vahemikule laest (Joonis 2).

Ühendage äärik C õhu äravooluavaga (Joonis 5). Sisestage ülemine lõõr alumise lõõriga ja toetage raami kohale. Tõmmake ülemine lõõr kinnituse juurde ja kinnitage kruvidega B (Joonis 4). Õhupuhasti torudega versioonist filtreerivaks versiooniks muutmiseks paluge enda tarnijalt söefiltreid ja jälgige paigaldamise juhiseid.



Joonis 5



Joonis 6

• Filtreeriv versioon:

Paigaldage õhupuhasti ja kaks lõõri vastavalt torudega versiooni peatükis kirjeldatule. Filtreeriva lõõri paigaldamiseks jälgige komplekti kuuluvaid juhiseid. Kui Teil komplekti ei ole, tellige see lisaseadmena. Filtrid tuleb paigaldada lõõris asuvale õhu eemaldamise üksusele. Joonitage need keskele 90 kraadi pöörates kuni aktiveerite stopperi (Joonis 6).

ÕHUPUHASTI KASUTAMINE

Juhtelemendid



Lamp



– vajutage valgustuse sisse/välja lülitamiseks

Kiirus – valige vastavalt vajadusele



Madal – kerge praadimine/keetmine. Vajutage madala kiiruse valimiseks. Teine vajutus lülitab mootori välja.



Keskmine – praadimine/wokkimine/tugev keetmine. Vajutage keskmise kiiruse valimiseks. Teine vajutus lülitab mootori välja.



Kõrge – grillimine, intensiivne praadimine ja wokil küpsetamine. Vajutage kõrge kiiruse valimiseks. Teine vajutus lülitab mootori välja.



Eriti kõrge – vajutage kiireima kiiruse valimiseks. Teine vajutus lülitab mootori välja.

Eriti kõrge kiiruse kasutamine

Õhupuhastiga on võimalik kasutada ka eriti kõrget kiirust. Aktiveerimiseks vajutage töötaval õhupuhastil nupule B. Kiirust suurendatakse ajutiselt 8 minutiks.

Soovitame õhupuhasti käivitada mõned minutid enne toiduvalmistamisega alustamist ja jätta selle tööle ligikaudu 8 minutiks pärast lõpetamist.

Seadet ei tohi kasutada lapsed või vähenenud füüsilise, sensoorse või mentaalsete võimetega isikus, samuti isikud kellel puuduvad kogemused ja teadmised, välja arvatud juhul kui neid on selleks eelnevalt juhendatud või koolitatud.

ETTEVAATUST - k äga katsutavad osad v ävad toiduvalmistamisel kuumeneda. Õhupuhasti aluse toiduvalmistamise ala valgustamiseks lülitage valgustid asendisse SEES. Välja lülitamiseks vajutage nuppu uuesti, asendisse VÄLJAS.

Õhupuhasti kasutamiseks vajutage vastava kiiruse nupule: **1** madal, **2** keskmine või **3** kõrge. Neoontuluke tähistab töötavat õhupuhastit. Välja lülitamiseks vajutage nupule VÄLJA.

HOOLDUS JA PUHASTAMINE

Eemaldage kodumasin enne puhastamist või hooldust elektrivõrgust.

LED pirnide vahetamine

Kui kodumasin on varustatud LED-pirnidega, tuleb nende asendamiseks kasutada spetsialisti abi.

Väline korpus

Kõik õhupuhasti korpuse välised osad on puhastatavad kuumas seebivees niisutatud puhta rätiga.

Ärge kasutage söövitavaid pastasid, hõõruvaid puhastuspuudreid, traatharju, tugevaid tööriistu või mistahes kloriide sisaldavaid puhastusvahendeid.

Raskesti eemaldatavad plekid saate eemaldada roosteabast terasest puhastusvahendiga. Soovitame alati korraga puhastada terve roosteabala, sedasi säilitate ühtlase väljanägemise.

Teravad esemed võivad roosteabala pinda kahjustada aga jäljed muutuvad ajapikku vähem märgatavaks.

Roosteabala terase välimuse hoidmiseks või rasvaste jälgede eemaldamiseks võite roosteabala teraspinda puhastada beebiõli ja köögipaberiga.

Ärge kasutage küpsetusõli, see sisaldab roosteabast terasest pinda kahjustavaid soolasisi.

Eemaldage kodumasin enne puhastamist või hooldust elektrivõrgust.

Tuleohutuse säilitamiseks tuleb jälgida järgnevaid juhiseid:

Rasvafiltrid

Rasvafiltrid eemaldavad küpsetamisel erituvatest aurudest rasva ja tolmu, mis jääks muidu õhupuhasti sisse.

Rasvafiltreid tuleb regulaarselt puhastada - tavapärasel kasutamisel ligikaudu iga 2 kuu möödudes.

Kasutage puhastamiseks sooja seebivett või nõudepesumasinat. Rasvafiltrite värv võib pesu järel muutuda aga see ei mõjuta nende tööd.

Tähtis! Filtrite regulaarne pesemine ja rasva kogunemise ennetamine on oluline. Kogunev õli võib olla tuleohtlik!

1. Eemaldage filtrid õhupuhastist.

2. Peske filtreid ettevaatlikult kuuma seebiveega ja kuivatage puhta rätikuga.

3. Paigaldage puhtad filtrid tagasi.

Söefiltrid (kasutusel üksnes tsirkulatsiooniga versiooni puhul)

Süsinikfiltrid eemaldavad küpsetamisel tekkivad lõhnad ja vajavad vahetamist iga 6 kuu järel. Asendusfiltrid saate meie klienditeenindusest (kontaktandmed on kasutusjuhendi tagumisel küljel).

Aktiveeritud sütt kasutavate filtrite saturatsioon sõltub kasutamise sagedusest, köögi tüübist ja rasvafiltrite puhastamisest.

Söefiltrid ei ole pestavad - asendage need iga 6 kuu järel.

TEHNILISED ANDMED

Elektritoide

220 - 240V ~ 50Hz

Klassifikatsioon

klass I

Müratase (väline ventilatsioon)

Lame õhupuhasti

Eriti kiire	72 dBA
Asend 3	65 dBA
Asend 1	52 dBA

Korstnaga õhupuhasti

Eriti kiire	72 dBA
Asend 3	65 dBA
Asend 1	52 dBA

Valgusti pirnid

2 x 1.5W LED

Mootori võimsus

250W

Rasvafiltrid

3 alumiiniumpaneelil

Märkus: rasvafiltrite värv võib pesu järel muutuda aga see ei mõjuta nende tööd.

Sõefiltrid

2 - saadaval varuosadena

Eemaldatava õhu hulk (väline)

Lame õhupuhasti

Eriti kiire	805.8 m ³ /H
Asend 3	605.7 m ³ /H
Asend 1	280.0 m ³ /H

Korstnaga õhupuhasti

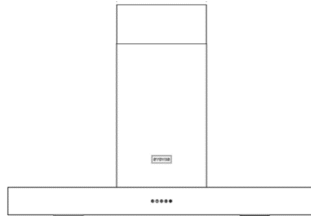
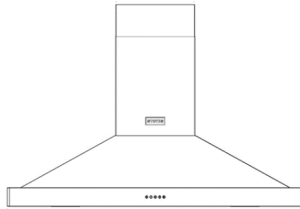
Eriti kiire	805.8 m ³ /H
Asend 3	605.7 m ³ /H
Asend 1	280.0 m ³ /H

STOVES KLIENDITEENINDUS

Country	Contact Address	Contact details
France	Glen Dimplex France ZI petite Montagne Sud 12 rue des Cévennes - Lisses 91017 EVRY cedex FRANCE	Service Number: 01 69 11 11 85 Tel: 00 33 (0)1 69 11 11 91 Fax: 00 33 (0)1 60 86 28 37 direction@glendimplex-france.fr www.glendimplex-france.fr
Holland/ Belgium	Glen Dimplex Benelux B.V. Nederland/Le Pays Bas Saturnus 8 8448 CC Heerenveen Tel: +31 (0) 513-656500 Fax: +31 (0) 513-656501 www.stoves.nl België/Belgique Burgemeester Maenhoutstraat 64 9820 Merelbeke Tel: +32 (0)92100210 Fax: +32 (0)92100212 www.stoves.be	Productregistratie/ Registration de produit www.gdbservice.com Serviceaanvraag/ Demande de service www.stoves.nl / www.stoves.be zie banner 'service' homepagina voir la bannière 'service' sur notre page d'accueil
Germany/ Austria	ELESCO EUROPA GmbH Karl-Wiechert-Allee 74a D-30625 Hannover	Telefon: +49-(0)511-5151 3360 Fax: +49 (0)511 5343 0910 info@elesco-europa.com www.vittoria5sterne.de
Poland	OPTIDATA Sp. z o. o., ul. Wielicka 50/5, 30-552 Kraków	+48 12 383 39 30 www.kuchniestoves.pl service.stoves@optidata.pl
Sweden	Lindström & Sondén AB Havsbadsvägen 1 26263 Ängelholm	Tele: 010-1011656 Email: info@lsbolagen.se
Republic of Ireland	Glen Dimplex Ireland, Airport Road, Cloghran, Co. Dublin	Service Telephone No.' (01) 8428222 Service and Spare Parts. serviceireland@glendimplex.com
Other	Glen Dimplex Home Appliances, Stoney Lane, Prescot, Merseyside, L35 2XW	Tel: 0844 815 3740

S T O V E S

STOVES



**Stoves Liesituuletin
Käyttöopas**

Sisältö

Johdanto	2
Turvaohjeet	3
Asennusohjeet	4
Liesituulettimen käyttö	6
Huolto ja puhdistus	7
Tekniset tiedot	8
Stoves Asiakaspalvelu	9

Johdanto

Kiitos että valitsit laadukkaan Stoves-liesituulettimen.

Olemme sitoutuneet kehittämään ja parantamaan tuotteitamme jatkuvasti. Huomaathan, että emme voi antaa takuuta näissä ohjeissa esitettyjen piirrosten ja tietojen paikkaansa pitävyydestä, sillä laitteen ominaisuuksia tai valmistusmateriaaleja on saatettu muuttaa tämän oppaan painamisajankohdan jälkeen.

Ennen kuin käytät laitetta ensimmäistä kertaa, poista kaikki laitteen pakkausmateriaalit ja laitteen ympärillä oleva polyeteenikalvo.

Tämä laite on suunniteltu käytettäväksi joko ilman ulosimemiseen (-tuulettamisen) tai sen puhdistamiseen sisätilassa (kierrättämiseen).

Huomautus: Laitteen mukana ei toimiteta putkia tai hiilisuolettimia. Löydät näiden osien tilaamista varten tarvittavat tiedot tämän oppaan lopusta.

Laitteen monimutkaisuudesta ja raskaasta painosta johtuen suosittelemme, että asentamisen suorittavat asianmukaisesti koulutetut henkilöt.

Laitteen valmistaja ei vastaa mistään vahingoista, jotka ovat aiheutuneet väärin suoritetuista asennustöistä. Lue tämä opas huolellisesti ja säilytä se myöhempää käyttöä varten.

TURVAOHJEET

1. Noudata varovaisuutta, mikäli kytket liesituulettimen päälle huoneessa, jossa poltetaan samanaikaisesti avotakkaa tai muuta huoneen ilmasta riippuvaista tulisijaa. Liesituuletin poistaa huoneesta samaa ilmaa, jota takassa tai muussa tulipesässä oleva tuli tarvitsee palaakseen.

Huoneen alipaine ei saa olla suurempi kuin 4Pa (4x10⁻⁵ bar). Jotta liesituulettinta voitaisiin käyttää turvallisesti, sinun on huolehdittava riittävästä tuloilmasta. Noudata sisäilman ulostuulettamista koskevia lakeja ja säädöksiä.

Ennen kuin kytket laitteen sähköverkkoon, varmista, että laitteen arvokilpeen (löytyy laitteen sisältä) merkityt jännite- ja tehoarvot vastaavat sähköverkon arvoja ja että laitteen virtapistoke sopii pistorasiaasi. Jos epäilet laitteen soveltuvuutta, tiedustele asiaa sähköalan ammattilaiselta.

Jos laitteen virtajohto on vaurioitunut, se tulee vaihtaa uuteen. Uusia virtajohtoja on saatavilla laitteen valmistajalta.

Laitteeseen kytketään sähköverkkoon joko 3A:n sulakkeella varustetun pistokkeen kautta tai kytkemällä laitteen johto kaksivaiheisen järjestelmän kahteen, 3A:n sulakkeella suojattuun johtoon.

2. Varoitus!

Joissakin olosuhteissa sähkölaitteista saattaa aiheutua vakava vaara.

A) Älä tarkista liesituulettimen suodattimia laitteen ollessa päällä.

B) Älä koske polttimoihin tai näitä ympäröiviin osiin valojen ollessa päällä tai heti pitkään jatkuneen päällä olon jälkeen.

C) Ruokaa ei saa liekittää liesituulettimen alla.

D) Vältä avotulen käyttöä, sillä se vahingoittaa laitteen suodattimia ja aiheuttaa palovaaran.

E) Älä poistu paikalta rasvassa paistamisen aikana, sillä rasvan ylikuumeneminen saattaa aiheuttaa palovaaran.

F) Irrota laitteen virtajohto ennen laitteen huoltamista.

G) Lapset tai sairaat henkilöt saavat käyttää laitetta vain valvonnan alaisuudessa.

H) Älä anna lasten leikkiä laitteella.

I) Mikäli laitetta käytetään huoneessa, jossa poltetaan kaasua tai muita polttoaineita, on varmistettava, että huoneen ilmanvaihto on riittävää.

L) Laitteeseen saattaa aiheuttaa tulipalovaaran, mikäli tässä oppaassa esitettyjä puhdistusohjeita ei noudateta.

Tämä laite ja laitteen merkinnät täyttävät sähkö- ja elektroniikkaromusta säädetyn Direktiivin 2002/96/EY (WEEE) vaatimukset.

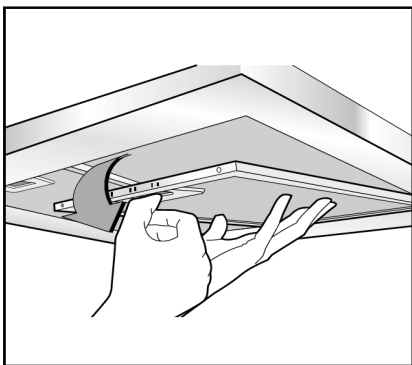
Laitteessa tai sen mukana toimitettavissa asiakirjoissa on merkintä, joka tarkoituksena on ilmoittaa, että laite ei sovellu hävitettäväksi tavanomaisen kotitalousjätteen tapaan, vaan tulee toimittaa asianmukaiseen sähkö- ja elektroniikkaromun kierrätyspisteeseen.

Noudata paikallisia jätteenkäsittelyvaatimuksia, kun toimitat jätteitä hävitettäväksi.

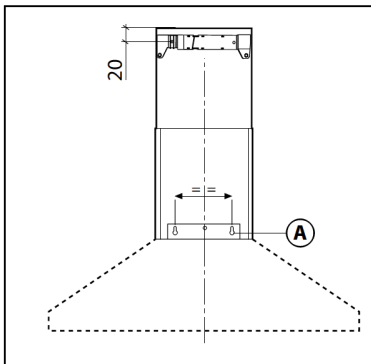
Jos haluat lisää tämän laitteen käsittelyä, uudelleenkäyttöä ja kierrätystä koskevaa tietoa, ota yhteyttä oman alueesi viranomaisiin, jätehuollosta vastaavaan tahoon tai siihen myymälään, josta olet laitteen hankkinut.

ASENNUSOHJEET

- Laitteen saa asentaa ja kytkeä vain asianmukaisen koulutuksen saanut henkilö.
- Laita käsiisi suojakäsineet ennen kuin aloitat asennuksen.
- Sähkökytkennät:
 - Laitte on valmistettu turvaluokituksen II edellyttämällä tavalla, joten maadoitusjohtoa ei tarvita. Laitteen virtayhteys tulee kytkeä siten, että kytkentäpisteeseen on helppo pääsy myös asennuksen jälkeen. Mikäli laitteeseen kytketään virta johdolla, jossa ei ole pistoketta, laitteen ja virtalähteen väliin tulee asentaa moninapainen, vähintään 3 mm kosketinvälillä varustettu kytkin. Kytkin tulee asentaa kuormaa ja virtaa koskevien säädösten edellyttämällä tavalla.
 - Laitteeseen kytketään virta seuraavan ohjeen mukaan:
RUSKEA = V virta
SININEN = N nolla
- Jos laite tulee sähkö-, kaasu-, tai induktiolieden päälle, liedien ja liesituulettimen alareunan väliin on jätävä vähintään 65 cm:n tila. Mikäli käytetään kaksiosaista liitinputkea, alemman putken on tultava ylemmän sisään. Älä kytke liesituulettimen ulostuloputkea lämmintä ilmaa kierrättävään kanavaan tai muista lähteistä tulevan savun/höyryn poistokanavaan, pois lukien sähköisten laitteiden poistoilmakanavat. Ennen kuin aloita laitteen kokoamisen ja asennuksen, poista laitteen rasvansuodatin/-suodattimet (kuva 1). Tämä helpottaa asennustyötä.
- Jos asennat ilmaa ulostuulettavan yksikön, tee/valmistele ilman ulostuloaukko.

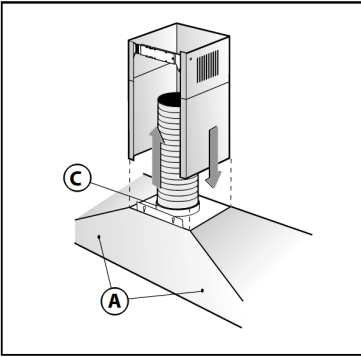


Kuva 1

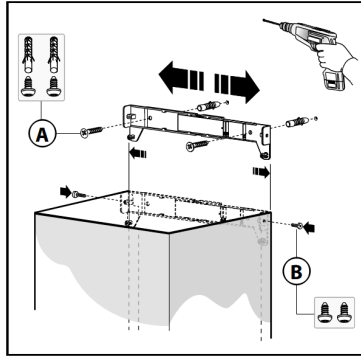


Kuva 2

- Suosittelemme asentamaan sellaisen ulostuloilmaputken, jonka halkaisija vastaa ulostuloilma-aukon halkaisijaa. Jos käytät putkea, jonka halkaisija on aukon halkaisijaa pienempi, tämä saattaa heikentää laitteen tehoa ja lisätä laitteesta kuuluvan äänen voimakkuutta.
- Jos asennat laitetta, joka on suunniteltu käytettäväksi rakennuksessa, jossa on koneellinen poistoilmamuri, toimi seuraavasti:
 - Laitteessa oleva kytkin säätää siinä olevaa venttiiliä kiinni ja auki erillisen lämpöön reagoivan laitteen avulla. Kun asetat kytkimen ON-asentoon, laite avaa venttiilin kääntämällä sitä 90 astetta, minkä myötä poistettava ilma siirtyy poistoilmakanavaan ja edelleen ulos. Kun asetat kytkimen OFF-asentoon, laite odottaa 100 sekuntia ja sulkee tämän jälkeen venttiilin.
- Seinään kiinnittäminen:
 - Poraa reiät A. Varmista, että reiät tulevat kuvan mukaiselle etäisyydelle toisistaan (kuva 2).
 - Aseta laite seinälle ja varmista, että se tulee vaakatasoon. Kun olet säätänyt laitteen oikeaan asentoon, kiinnitä se paikalleen ruuveilla A (kuva 4). Käytä kiinnittämiseen seinämateriaalille (esim. teräsbetoni, kipsilevy, tms.) sopivia ruuveja ja ruuviankkureita.
 - Mikäli laitepakkaukseen kuuluu ruuvit ja ruuviankkurit, varmista, että ne ovat seinämateriaalillesi sopivia.



Kuva 3

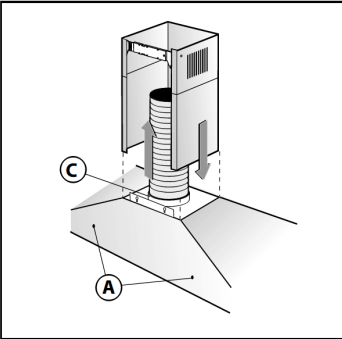


Kuva 4

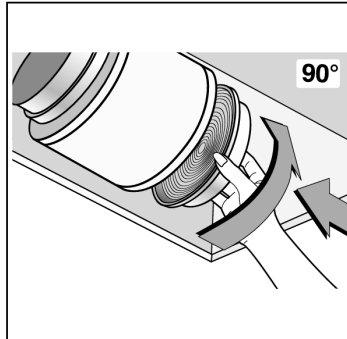
• Teleskooppimaisen koriste-/suojaputken asentaminen:

Aseta virtajohto koristeputken sisälle. Jos asennat laitetta, joka kytketään poistoilmakanavaan tai -putkeen, tee/valmisteile poistoilman aukko. Säädä putken yläosan kiinnittimet oikealle leveydelle (kuva 4). Kiinnitä putki tämän jälkeen seinään ruuveilla A (kuva 4) siten, että putki on samassa linjassa kuvun kanssa ja vähintään kuvassa 2 esitetyllä etäisyydellä huoneen katosta.

Kiinnitä laippa C poistoilma-aukosta tulevaan putkeen (kuva 5). Aseta putken yläosa alaosaan sisään ja aseta yhdistetty putki tämän jälkeen paikalleen kuvun päälle. Aseta putken yläosa seinäkiinnikkeisiin ja kiinnitä se paikalleen ruuveilla B (kuva 4). Jos haluat muuttaa laitteen ilmaa poistavasta ilmaa suodattavaksi, hanki laitteeseen aktiivihilisuodattimet omalta STOVES-jälleenmyyjältäsi ja noudata alla esitettyä ohjetta.



Kuva 5



Kuva 6

• Ilmaa suodattava malli:

Asenna kupu ja siihen kytkettävät putket ilmaa poistavaa mallia koskevien ohjeiden mukaan. Suodatusputken asennusohjeet on esitetty suodatinosien mukana toimitettavissa ohjeissa. Mikäli laitteesi mukana ei ole toimitettu suodatinosia, tilaa suodatinosat erikseen valtuutetulta STOVES-jälleenmyyjältäsi. Suodattimet on asennettava kuvun sisälle asennettavaan imuysikköön. Suodattimet asetetaan paikoilleen pyrittämällä niitä 90 astetta, kunnes lukitusmekanismi lukitsee ne paikoilleen putken sisään (kuva 6).

LIESITUULETTIMEN KÄYTTÖ

Painikkeet



Valo



– Kytkee valon päälle/pois

Teho – valitse ruoanlaittilanteeseen parhaiten sopiva tuuletusteho



1 Matala - Paistaminen/keittäminen matalassa lämpötilassa. Paina tätä painiketta kerran, kun haluat kytkeä laitteen toimimaan matalalla teholla ja toisen kerran, kun haluat sammuttaa laitteen moottorin.



2 Keskitaso - Paistaminen/wokkaaminen tai keittäminen kuumassa lämpötilassa. Paina tätä painiketta kerran, kun haluat kytkeä laitteen toimimaan keskitasoa olevalla teholla ja toisen kerran, kun haluat sammuttaa laitteen moottorin.



3 Korkea - Grillaus tai wokkaaminen/paistaminen erittäin kuumassa lämpötilassa. Paina tätä painiketta kerran, kun haluat kytkeä laitteen toimimaan kovalla teholla ja toisen kerran, kun haluat sammuttaa laitteen moottorin.



B Huipputeho- Paina tätä painiketta kerran, kun haluat kytkeä laitteen toimimaan kovimmalla mahdollisella teholla ja toisen kerran, kun haluat sammuttaa laitteen moottorin.

Huipputeho-toiminto

Tämä liesituuletin on varustettu erillisellä huipputeho-toiminnolla. Kytkeäksesi tämän toiminnon päälle käytön aikana, paina painiketta B. Tuuletin siirtyy tällöin toimimaan huipputeholla 8 minuutin ajaksi, minkä jälkeen teho palautuu jälleen aiemmalle tasolle.

Suosittelemme, että kytket liesituulettimen pois päältä muutamaksi minuutiksi ennen ruoanlaiton aloittamista ja että jätät sen päälle noin 8 minuutiksi ruoanlaiton jälkeen. Näin toimimalla varmistat, että kakki ruoanlaitossa syntyvät hajut häviävät mahdollisimman tehokkaasti keittotilasta.

Lapset ja henkilöt joiden fyysinen, henkinen tai aisteihin liittyvä suorituskyky on rajoittunut saavat käyttää laitetta vain, mikäli heitä on opastettu ja käyttöä valvotaan.

VAROITUS - Laitteen pinnat saattavat kuumentua ruoanlaiton aikana. Kytkeäksesi kuvun alle kohdistuvan valon päälle, paina laitteen valopainiketta. Sammuttaaksesi valon, paina valopainiketta uudelleen.

Liesituuletin kytketään päälle painamalla yhtä tuuletustehon painikkeista: **1** matala, **2** keskitaso tai **3** korkea. Laitteen neonvarinen merkkivalo syttyy tämän jälkeen sen merkiksi, että tuuletin on käynnissä.

Sammuttaaksesi laitteen, paina siinä olevaa "off" painiketta.

PUHDISTUS JA HUOLTO

Ennen laitteen puhdistamista tai huoltoa, irrota laitteen virtajohto / sammuta virtajohdon kytkin.

LED-valojen vaihtaminen

Mikäli laitteeseen kuuluu LED-valoja, niiden vaihtamisen saa suorittaa vain sähköalan ammattilainen.

Ulkopinnat

Kaikki laitteen ulkopinnat voi puhdistaa pyyhkimällä ne pesuaineinevedessä kostutetulla liinalla.

Älä puhdista laitteen ulkopintoja syövyttävillä tai hankaavilla aineilla, teräsvillalla, kovapintaisilla välineillä tai millään klooria sisältävillä aineilla, sillä nämä saattavat aiheuttaa pintoihin vaurioita.

Pinttyneiden tahrojen irrottamiseen tulee käyttää ruostumattoman teräksen puhdistusainetta. Suosittelemme,

että puhdistat samalla koko teräspinnan, jotta pinnan ulkonäkö pysyy yhdenmukaisena.

Terävät esineet jättävät teräspintaan jäljen, mutta nämä jäljet häviävät ajan myötä.

Parhaiten saat teräspinnat pysymään virheettöminä, kun pyyhit niitä kevyesti vauvaöljyyn (Bay Oil) kostutetulla talouspaperilla. Tämä on myös paras tapa rasvatahrojen poistamiseen.

Älä käytä pyyhkimiseen ruoanlaittoon tarkoitettuja öljyjä, sillä näissä saattaa olla teräspinnoille haitallista suolaa.

Ennen laitteen puhdistamista tai huoltoa, irrota laitteen virtajohto / sammuta virtajohdon kytkin.

Tulipalon välttämiseksi, noudata seuraavia puhdistusohjeita:

Rasvasuodattimet

Rasvasuodattimet imevät ruoanlaitossa syntyviä rasvoja ja pienhiukkasia. Suodattimet ovat tärkeitä, sillä pienhiukkaset ja rasvat voisivat vaurioittaa tuulettimen sisäosia.

Rasvasuodattimet tulee irrottaa ja puhdistaa säännöllisesti. Tavanomaisessa käytössä tämä on syytä tehdä 2 kuukauden välein.

Suodattimet tulee puhdistaa pesemällä ne saippuavedessä tai tiskikoneessa. Puhdistus saattaa muuttaa suodattimien väriä jonkin verran, mutta tällä ei ole vaikutusta niiden suodatustehoon.

Tärkeää: Rasvasuodattimet on ehdottomasti puhdistettava säännöllisesti, sillä rasvan kertyminen niihin saattaa aiheuttaa tulipalovaaran.

1. Irrota suodattimet liesituulettimesta.
2. Pese suodattimet varoen saippuavedellä ja kuivaa ne tämän jälkeen puhtaalla kangaspyyhkeellä.
3. Aseta suodattimet takaisin paikalleen.

Aktiivihiihisuodattimet (vain ilmaa kierrättävät mallit)

Aktiivihiihisuodattimet imevät ruoanlaitossa syntyviä hajuja ja tavanomaisessa käytössä ne tulee vaihtaa noin 6 kuukauden välein. Uudet aktiivihiihisuodattimet saat ottamalla yhteyden asiakaspalveluumme (ks. yhteystiedot tämän oppaan lopusta).

Se miten usein suodattimet tulee vaihtaa, riippuu siitä, miten usein liesituuletinta käytetään sekä valmistettavan ruoan laadusta ja siitä, miten usein rasvasuodattimia puhdistetaan.

Aktiivihiihisuodattimia ei ole mahdollista puhdistaa - vaihda ne 6 kuukauden välein.

TEKNISET TIEDOT

Tulovirta

220 - 240V ~ 50Hz

Lukitus

luokka I

Äänen taso (ulostuuletus)

Ilman kupua

Huipputeho 72 dBA

Teho 3 65 dBA

Teho 1 52 dBA

Kuvulla varustettuna

Huipputeho 72 dBA

Teho 3 65 dBA

Teho 1 52 dBA

Valojen polttimot

2 x 1,5W LED

Moottorin teho

250W

Rasvasuodattimet

3 kpl. irrotettavaa - alumiininen levy

Huomautus: Puhdistamisen myötä rasvasuodattimien väri saattaa muuttua - tämä ei kuitenkaan vaikuta niiden suodatustehoon.

Aktiivihilisuodattimet

2 kpl. irrotettavaa - myydään myös erikseen

Imuteho (ulkoinen)

Ilman kupua

Huipputeho 805.8 m3/h

Teho 3 605.7 m3/h

Teho 1 280.0 m3/h

Kuvulla varustettuna

Huipputeho 805.8 m3/h

Teho 3 605.7 m3/h

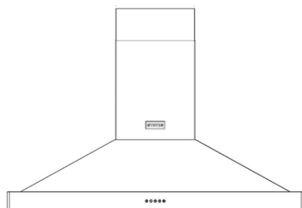
Teho 1 280.0 m3/h

STOVESIN ASIAKASPALVELU

Country	Contact Address	Contact details
France	Glen Dimplex France ZI petite Montagne Sud 12 rue des Cévennes - Lisses 91017 EVRY cedex FRANCE	Service Number: 01 69 11 11 85 Tel: 00 33 (0)1 69 11 11 91 Fax: 00 33 (0)1 60 86 28 37 direction@glendimplex-france.fr www.glendimplex-france.fr
Holland/ Belgium	Glen Dimplex Benelux B.V. Nederland/Le Pays Bas Saturnus 8 8448 CC Heerenveen Tel: +31 (0) 513-656500 Fax: +31 (0) 513-656501 www.stoves.nl België/Belgique Burgemeester Maenhautstraat 64 9820 Merelbeke Tel: +32 (0)92100210 Fax: +32 (0)92100212 www.stoves.be	Productregistratie/ Registration de produit www.gdbservice.com Serviceaanvraag/ Demande de service www.stoves.nl / www.stoves.be zie banner 'service' homepagina voir la bannière 'service' sur notre page d'accueil
Germany/ Austria	ELESCO EUROPA GmbH Karl-Wiechert-Allee 74a D-30625 Hannover	Telefon: +49-(0)511-5151 3360 Fax: +49 (0)511 5343 0910 info@elesco-europa.com www.vittoria5sterne.de
Poland	OPTIDATA Sp. z o. o., ul. Wielicka 50/5, 30-552 Kraków	+48 12 383 39 30 www.kuchniestoves.pl service.stoves@optidata.pl
Sweden	Lindström & Sondén AB Havsbadsvägen 1 26263 Ängelholm	Tele: 010-1011656 Email: info@lsbolagen.se
Republic of Ireland	Glen Dimplex Ireland, Airport Road, Cloghran, Co. Dublin	Service Telephone No.' (01) 8428222 Service and Spare Parts. serviceireland@glendimplex.com
Other	Glen Dimplex Home Appliances, Stoney Lane, Prescot, Merseyside, L35 2XW	Tel: 0844 815 3740

S T O V E S

STOVES



Hotte aspirante Stoves
Manuel d'utilisateur

Sommaire

Introduction	2
Mesures de précaution	3
Instructions d'installation	4
Utilisation de la hotte	6
Entretien et nettoyage	7
Données techniques	8
Service-client Stoves	9

Introduction

Merci d'avoir acheté cette hotte de haute qualité Stoves.

Notre politique est de fournir un développement et une amélioration constante. La stricte exactitude des illustrations et spécifications n'est pas garantie. La modification de la conception et des matériaux peut être nécessaire suite à une publication.

Avant d'utiliser l'appareil pour la première fois, retirez tous les emballages et le film de protection en polyéthylène.

Cet appareil a été conçu pour être utilisé comme une hotte d'aspiration (évacuation d'air vers l'extérieur) ou comme une hotte à filtration (recyclage air intérieur).

Remarque: Cet appareil n'est pas fourni d'un kit de canalisation, ou des filtres au charbon. Veuillez-vous à l'arrière du manuel pour plus de détails sur la commande de ces pièces.

En raison de la complexité et le poids de l'appareil, il est recommandé que l'installation soit effectuée par un personnel qualifié.

Le fabricant décline toute responsabilité pour les dommages causés par une mauvaise installation.

Veuillez lire attentivement ce manuel et le conserver pour une référence ultérieure.

MESURES DE PRECAUTION

1. Prenez garde lorsque la hotte fonctionne simultanément avec une cheminée ou un brûleur qui dépend de l'air de l'environnement. La hotte aspire l'air de l'environnement dont un brûleur ou une cheminée a besoin pour la combustion.

La pression négative dans l'environnement ne doit pas dépasser les 4 Pa (barre 4x10⁻⁵). Fournir une ventilation adéquate dans l'environnement pour une utilisation sécurisée de la hotte. Suivez les lois locales en vigueur pour l'évacuation de l'air extérieur.

Avant de raccorder l'appareil au réseau d'électricité, vérifiez les données de la plaque (positionné à l'intérieur de l'appareil), pour être certain que la tension et la puissance correspondent au réseau et que la prise est adaptée. En cas de doute, demandez à un électricien qualifié.

Si le câble d'alimentation est endommagé, il doit être remplacé. Ceci peut être obtenu directement au près du fabricant.

Cet appareil doit être connecté au réseau d'alimentation par le biais d'une fiche fusionnée 3A ou câblé à un éperon à 2 phases protégé par un fusible 3A.

2. Attention!

Dans certaines circonstances, les appareils électriques peuvent présenter un risque de danger.

- A) Ne pas vérifier l'état des filtres lorsque que la hotte est en marche.
- B) Ne touchez pas les ampoules ou les zones adjacentes, pendant ou juste après une utilisation prolongée de l'installation d'éclairage.
- C) La cuisson flambée est interdite sous la hotte.
- D) Éviter la flamme libre car il est nuisible pour les filtres et provoque un risque d'incendie.
- E) Ne laissez pas la friture des aliments sans surveillance car l'huile surchauffée provoque un risque d'incendie.
- F) Débranchez la connexion électrique avant tout entretien de l'appareil.
- G) Cet appareil n'est pas destiné à être utilisé par de jeunes enfants ou des personnes handicapées sans surveillance.
- H) Les jeunes enfants doivent être surveillés pour s'assurer qu'ils ne jouent pas avec l'appareil.
- I) Une ventilation adéquate de la pièce est nécessaire lorsque la hotte est utilisée en même temps que des appareils utilisant des combustibles gazeux ou d'autres combustibles, autre qu'électrique.
- L) Il y a un risque d'incendie si le nettoyage n'est pas effectué conformément aux instructions.

Cet appareil est conforme à la directive européenne CE / 2002/96, déchets d'équipements électriques et électroniques (DEEE).

Le symbole sur le produit ou sur les documents qui l'accompagnent indique que l'appareil ne doit pas être traité comme un déchet domestique, mais doit être remis à un point de collecte approprié de recyclage d'appareils électriques et électroniques.

Suivez les directives locales lors de l'élimination des déchets.

Pour plus d'informations sur le traitement, la réutilisation et le recyclage de ce produit, veuillez contacter les autorités locales, le service de collecte des ordures ménagères ou le vendeur de l'endroit où l'appareil a été acheté.

INSTRUCTIONS D'INSTALLATION

- L'assemblage et les connexions électriques doivent être effectués par un personnel qualifié.
- Porter des gants de protection avant de procéder à l'installation.
- Connexion électrique:
 - L'appareil a été fabriqué en classe II, donc aucun câble de terre n'est nécessaire. Le point d'alimentation doit être facilement accessible après l'installation de l'appareil. Si l'appareil est équipé d'un câble d'alimentation sans fiche, un interrupteur omnipolaire convenablement dimensionné, avec une ouverture minimale de 3 mm entre les contacts, doit être installé entre l'appareil et l'approvisionnement en électricité dans le respect de la charge et de la réglementation en vigueur.
 - La connexion au réseau se fait comme suit:
MARRON = L ligne
BLEU = N neutre.
- Si la table de cuisson est électrique, au gaz ou à induction, la distance minimale entre le même et la partie inférieure de la hotte doit être d'au moins 65 cm. Si un tuyau de connexion composé de deux parties est utilisé, la partie supérieure doit être placée en dehors de la partie inférieure. Ne branchez pas l'échappement de la hotte au même conducteur que celui utilisée pour faire circuler l'air chaud ou pour évacuer les fumées provenant des autres appareils alimentés par une source d'électricité. Avant de procéder aux opérations de montage, enlever le(s) filtre(s) anti-graisse (Fig.1) de telle sorte que l'unité soit plus facile à manipuler.
- Dans le cas de l'assemblage de l'appareil dans la version d'aspiration, préparer le trou pour l'évacuation de l'air.

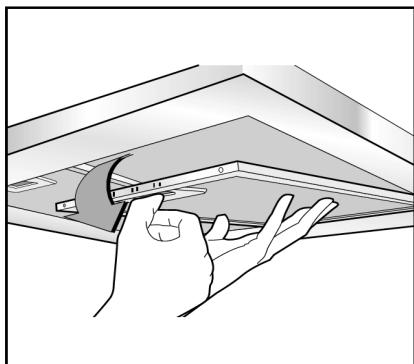


Fig.1

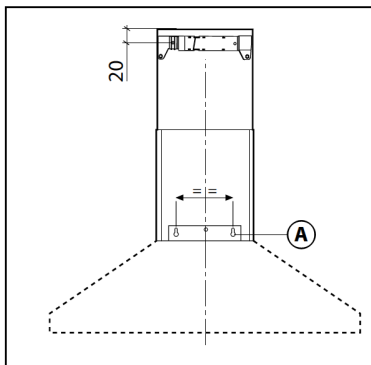


Fig.2

- Nous recommandons l'utilisation d'un tube d'évacuation d'air qui a le même diamètre que le trou de sortie d'échappement de l'air. Si un tuyau d'un diamètre plus petit est utilisé, l'efficacité du produit peut être réduite et son fonctionnement peut devenir plus bruyant.
- Si votre appareil a été conçu pour une utilisation dans les habitations, et qu'il est fourni avec un dispositif d'aspiration centralisée, effectuer les opérations suivantes:
 - L'interrupteur commande l'ouverture et la fermeture d'une soupape à l'aide d'un appareil électrique thermique. En plaçant l'interrupteur en position ACTIVE, après une minute, la soupape s'ouvre et pivote à 90 ° permettant l'aspiration de l'air vicié. En plaçant l'interrupteur en position DESACTIVE, la soupape se ferme au bout de 100 secondes.
- Fixation au mur:
Percez les trous A en respectant les distances indiquées (Fig.2).

Fixer l'appareil au mur et aligner le en position horizontale aux unités murales. Lorsque l'appareil a été ajusté, fixer définitivement la hotte avec les vis A (Fig.3). Pour les différentes installations, utiliser des vis et des attaches adaptées au type de mur (par exemple, en béton armé, plâtre, etc.). Si les vis et les attaches sont fournies avec le produit, vérifier qu'ils sont adaptés au type de mur sur lequel la hotte va être fixé.

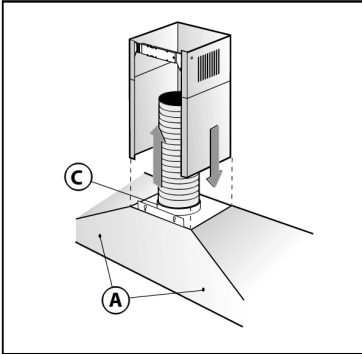


Fig.3

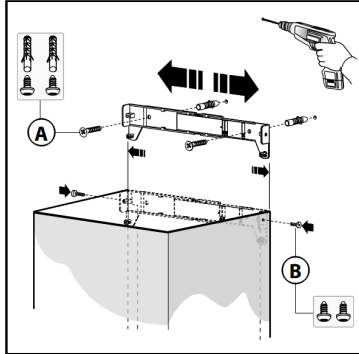


Fig.4

• **Fixation de la cheminée télescopique décorative:**

Disposer l'alimentation électrique dans les dimensions de la cheminée décorative. Si votre appareil doit être installé dans la version conduit d'évacuation ou dans la version avec moteur extérieur, préparer l'ouverture d'échappement d'air. Régler la largeur de la bride de fixation du tuyau supérieur (Fig.4). Puis fixez-le au plafond à l'aide de la vis A (Fig.4) de telle manière qu'il soit aligné avec votre hotte et en respectant la distance avec le plafond indiqué dans la Fig.2.

Connectez la bride C au trou d'évacuation à l'aide d'un tuyau de raccordement (Fig.5). Insérez le tuyau supérieur dans le tuyau inférieur et laissez au-dessus de la structure. Extraire le tuyau supérieur jusqu'au support et fixez-le avec la vis B (Fig.4). Pour passer la hotte de la version de conduit d'évacuation à la version de filtrage, demandez à votre vendeur des filtres à charbon et suivez les instructions d'installation.

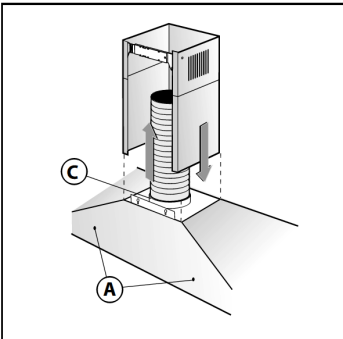


Fig.5

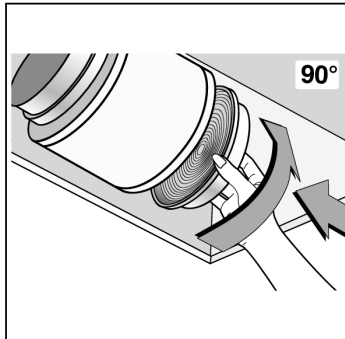


Fig.6

• **Version filtrage:**

Installer la hotte et les deux conduits comme décrit dans le paragraphe pour le montage de la hotte en version aspirante. Pour assembler le conduit de filtrage, veuillez-vous référer aux instructions contenues dans le kit. Si le kit n'est pas fourni, commandez-le comme accessoire auprès de votre vendeur. Les filtres doivent être appliqués à l'unité d'aspiration positionnée à l'intérieur de la hotte. Ils doivent être centrés en tournant à 90 degrés jusqu'à ce que le cliquet d'arrêt est déclenché (Fig.6).

UTILISATION DE LA HOTTE

Contrôles



Lampe



– Appuyer pour allumer/éteindre la lumière

Vitesse –sélectionner la vitesse en fonction des conditions de cuisson



Faible - Friture/ébullition léger. Appuyer sur ce bouton pour une vitesse faible et appuyer à nouveau pour éteindre le moteur.



Moyen - Friture/caisson au wok/forte ébullition. Appuyer sur ce bouton pour une vitesse moyenne et appuyer à nouveau pour éteindre le moteur.



Haute - Griller, forte friture et caisson au wok. Appuyer sur ce bouton pour une vitesse haute et appuyer à nouveau pour éteindre le moteur.



Booster - Appuyer sur ce bouton pour une vitesse maximale et appuyer à nouveau pour éteindre le moteur.

Fonction Booster

Cette hotte a également une fonction Booster. Pour activer le booster, appuyer sur le bouton B, lorsque la hotte est en cours d'utilisation et il va augmenter la vitesse pendant 8 minutes, avant de ralentir à nouveau. Nous vous recommandons d'allumer la hotte pendant quelques minutes avant de commencer la cuisson, puis de laisser fonctionner pendant environ 8 minutes pour vous assurer que toutes les odeurs sont extraites. L'appareil ne doit pas être utilisé par des enfants ou des personnes ayant une déficience physique, sensorielles ou mentales, ou le manque d'expérience et de connaissances, à moins qu'ils aient été supervisés ou instruits au préalable.

AVERTISSEMENT - Les parties accessibles peuvent devenir chaudes lorsqu'il est utilisé avec des appareils de cuisson. Pour éclairer la zone de cuisson sous la hotte, mettez le bouton de contrôle de la lumière dans la position "activé". Pour éteindre, appuyez à nouveau pour revenir à la position "désactivé".

Pour mettre en route la hotte, appuyez sur le bouton de la vitesse requise - sélectionnez: **1** faible, **2** moyen ou haute vitesse. Le voyant lumineux au néon s'allumera pour montrer que le ventilateur fonctionne. Pour éteindre, appuyez sur le bouton "éteindre"

ENTRETIEN ET NETTOYAGE

Avant le nettoyage ou l'entretien, éteignez l'alimentation électrique.

Remplacement des lumières LED

Si la version de l'appareil est avec des lampes LED, l'intervention d'un technicien spécialisé est nécessaire afin de les remplacer.

Revêtement extérieur

Toutes les parties externes du revêtement extérieur peuvent être nettoyés en toute sécurité avec un chiffon propre essorée dans de l'eau chaude savonneuse.

Ne pas utiliser de pâtes caustiques, de poudres de nettoyage abrasifs, de paille de fer, des instruments durs, ni aucun produit contenant des chlorures car ils peuvent endommager les surfaces de l'appareil.

Les taches tenaces peuvent être éliminées avec un nettoyant pour acier inoxydable. Nous vous recommandons de nettoyer l'ensemble de la zone de l'acier inoxydable pour maintenir un fini uniforme.

Les objets pointus peuvent marquer la surface de l'acier inoxydable, mais les marques deviendront moins apparentes avec le temps.

Pour maintenir la finition de l'acier inoxydable, ou pour enlever les taches de graisse, essuyez la surface en acier inoxydable avec le minimum d'huile pour bébé et du papier de cuisine.

Ne pas utiliser des huiles de cuisson, car ils peuvent contenir du sel, ce qui peut endommager la surface de l'acier inoxydable.

Avant le nettoyage ou l'entretien de l'appareil, coupez l'alimentation en électricité.

Pour éviter tout risque d'incendie, les instructions de nettoyage suivantes doivent être respectées:

Filtres à graisse

Les filtres à graisse absorbent la graisse et la poussière provenant des fumées de cuisson, qui pourraient endommager l'intérieur de la hotte.

Les filtres à graisse doivent être retirés et nettoyés régulièrement - avec une utilisation normale, c'est-à-dire tous les 2 mois.

Pour nettoyer, utilisez de l'eau chaude savonneuse, ou nettoyez-les dans un lave-vaisselle. Les filtres à graisse peuvent légèrement changer de couleur après lavage, mais cela n'a pas d'incidence sur leurs performances.

Important: Un lavage fréquent est indispensable pour éviter une accumulation de graisse dans les filtres qui pourraient provoquer un risque d'incendie.

1. Retirer les filtres de la hotte.
2. Lavez soigneusement les filtres à graisse dans de l'eau chaude savonneuse et sécher-les à l'aide d'une serviette propre.
3. Remettre en place les filtres propres.

Filtres à charbon (modèles installés pour uniquement une utilisation avec la méthode de recirculation)

Les filtres à charbon absorbent les odeurs de cuisson et doivent être renouvelés après environ 6 mois d'utilisation normale. Les filtres à charbon de remplacement peuvent être obtenus auprès de notre Service Clients (Plus de détails à l'arrière du manuel).

La saturation du charbon actif dans le filtre dépend de la fréquence à laquelle la hotte est utilisée, du type de cuisine et de la régularité du nettoyage du filtre à graisse.

Les filtres à charbon ne peuvent pas être lavés - renouveler tous les 6 mois.

DONNEES TECHNIQUES

Alimentation électrique

220 - 240V ~ 50Hz

Classification

Classe I

Niveau sonore (Evacuation externe)

Hotte

Booster	72 dBA
Position 3	65 dBA
Position 1	52 dBA

Hotte cheminée

Booster	72 dBA
Position 3	65 dBA
Position 1	52 dBA

Ampoules

2 x 1,5W LED

Puissance du moteur

250W

Filtres à graisse

3 Off – Panneau en aluminium

Note: Après le nettoyage, les filtres à graisse peuvent un peu perdre leur couleur - cela n'affecte pas leurs performances.

Filtres à charbon

2 Off – Disponible en pièces détachées

Taux d'extraction (Externe)

Hotte

Booster	805.8 m3/H
Position 3	605.7 m3/H
Position 1	280.0 m3/H

Hotte cheminée

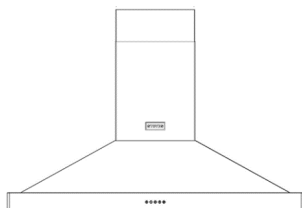
Booster	805.8 m3/H
Position 3	605.7 m3/H
Position 1	280.0 m3/H

SERVICE-CLIENT STOVES

Country	Contact Address	Contact details
France	Glen Dimplex France ZI petite Montagne Sud 12 rue des Cévennes - Lisses 91017 EVRY cedex FRANCE	Service Number: 01 69 11 11 85 Tel: 00 33 (0)1 69 11 11 91 Fax: 00 33 (0)1 60 86 28 37 direction@glendimplex-france.fr www.glendimplex-france.fr
Holland/ Belgium	Glen Dimplex Benelux B.V. Nederland/Le Pays Bas Saturnus 8 8448 CC Heerenveen Tel: +31 (0) 513-656500 Fax: +31 (0) 513-656501 www.stoves.nl België/Belgique Burgemeester Maenhoutstraat 64 9820 Merelbeke Tel: +32 (0)92100210 Fax: +32 (0)92100212 www.stoves.be	Productregistratie/ Registration de produit www.gdbservice.com Serviceaanvraag/ Demande de service www.stoves.nl / www.stoves.be zie banner 'service' homepagina voir la banniere 'service' sur notre page d'accueil
Germany/ Austria	ELESCO EUROPA GmbH Karl-Wiechert-Allee 74a D-30625 Hannover	Telefon: +49-(0)511-5151 3360 Fax: +49 (0)511 5343 0910 info@elesco-europa.com www.vittoria5sterne.de
Poland	OPTIDATA Sp. z o. o., ul. Wielicka 50/5, 30-552 Kraków	+48 12 383 39 30 www.kuchniestoves.pl service.stoves@optidata.pl
Sweden	Lindström & Sondén AB Havsbadsvägen 1 26263 Ängelholm	Tele: 010-1011656 Email: info@lsbolagen.se
Republic of Ireland	Glen Dimplex Ireland, Airport Road, Cloghran, Co. Dublin	Service Telephone No.' (01) 8428222 Service and Spare Parts. serviceireland@glendimplex.com
Other	Glen Dimplex Home Appliances, Stoney Lane, Prescott, Merseyside, L35 2XW	Tel: 0844 815 3740

S T O V E S

STOVES



**Stoves Dunstabzugshaube
Bedienungsanleitung**

Inhaltsverzeichnis

Einleitung	2
Sicherheitsvorkehrungen	3
Installationsanleitungen	4
Gebrauch der Abzugshaube	6
Reinigung und Wartung	7
Technische Daten	8
Kundendienst	9

Einleitung

Vielen Dank für den Kauf dieses hochwertigen Produkts von Stoves.
Kontinuierliche Entwicklung und Verbesserung sind unser Motto. Das Gerät kann daher von den Abbildungen und technischen Angaben abweichen. Design und Material unterliegen nach dem Druck dieser Bedienungsanleitung unangekündigten Änderungen.

Entfernen Sie vor dem erstmaligen Gebrauch des Geräts alle Verpackungen und die Schutzfolie.

Dieses Gerät wurde zum Abziehen (Luft nach außen befördern) oder Filtern (Luft im Inneren recyceln) entwickelt.

Hinweis: Im Lieferumfang dieses Geräts sind weder Rohre noch Kohlefilter enthalten. Auf der Rückseite der Bedienungsanleitung finden Sie nähere Information zum Kauf dieser Komponenten.

Aufgrund der Komplexität und des Gewichts dieses Geräts wird empfohlen, die Installation nur von einer Fachkraft durchführen zu lassen.

Der Hersteller haftet nicht für Schäden aufgrund unsachgemäßer Verwendung oder Installation.

Lesen Sie diese Bedienungsanleitung sorgfältig durch und bewahren Sie diese für ein zukünftiges Nachschlagen gut auf.

Das erste Garantiejahr

Um die Voraussetzungen der Garantie zu erfüllen, muss das Gerät ordnungsgemäß und anhand dieser Anleitungen installiert und verwendet werden; es ist nur für den normalen Heimgebrauch vorgesehen. Auf der Garantiekarte finden Sie detailliertere Informationen.

SICHERHEITSVORKEHRUNGEN

1. Sorgfalt ist geboten, wenn Sie die Abzugshaube gleichzeitig mit einer offenen Feuerstelle oder einem Brenner verwenden, die von der Luft in der Umgebung abhängig sind. Die Abzugshaube entfernt Luft aus der Umgebung, die ein Brenner oder eine Feuerstelle für die Brennung benötigen. Der negative Druck der Umgebung darf nicht 4Pa (4x10⁻⁵ bar) überschreiten. Sorgen Sie in der Umgebung für eine ausreichende Belüftung, um einen sicheren Betrieb der Abzugshaube zu gewährleisten. Beachten Sie örtlich geltende Gesetze für die externe Luftabführung. Vergewissern Sie sich vor dem Anschluss an die Stromversorgung, dass die Angaben auf dem Typenschild (im Inneren des Geräts) mit der Spannung und Leistung Ihrer örtlichen Stromversorgung und Steckdose übereinstimmen. Wenden Sie sich im Zweifelsfall an einen qualifizierten Elektriker. Ein beschädigtes Netzkabel muss ersetzt werden. Ersatzkabel erhalten Sie vom Hersteller. Dieses Gerät muss entweder über einen gesicherten 3A Stecker mit der Stromversorgung verbunden oder mit einem per 3A Sicherung geschützten 2-Phasen-Antrieb fest verdrahtet werden.

2. Warnung!

Unter bestimmten Bedingungen können elektrische Geräte Gefahren verursachen.

- A) Überprüfen Sie nicht den Filterstatus, während das Gerät in Betrieb ist.
- B) Berühren Sie nicht die Lampen oder angrenzende Flächen während oder unmittelbar nach einer längeren Nutzung der Beleuchtung.
- C) Flammkuchen dürfen nicht unter der Abzugshaube zubereitet werden.
- D) Vermeiden Sie offenes Feuer, da diese die Filter beschädigen können und Brandgefahren darstellen.
- E) Lassen Sie Speisen während des Bratens nicht unbeaufsichtigt; das Öl kann überhitzen und stellt somit eine Brandgefahr dar.
- F) Trennen Sie die Stromversorgung, bevor Sie Wartungsarbeiten durchführen.
- G) Dieses Gerät ist nicht geeignet für den Gebrauch durch Kinder oder gebrechliche Personen, sofern diese unbeaufsichtigt sind.
- H) Kleinkinder müssen beaufsichtigt werden, damit sie nicht mit dem Gerät spielen.
- I) Der Raum muss ausreichend belüftet sein, wenn die Abzugshaube gleichzeitig mit Geräten verwendet wird, die Gas oder andere Kraftstoffe (nicht elektrisch) verbrennen.
- L) Falls die Anleitungen für die Reinigung nicht eingehalten werden, besteht Brandgefahr.

Dieses Gerät entspricht der Europäischen Richtlinie EC/2002/96 für die Entsorgung elektrischer und elektronischer Altgeräte (WEEE).

Das Symbol auf dem Produkt bzw. in der Begleitliteratur weist darauf hin, dass das Gerät nicht über den normalen Hausmüll entsorgt werden darf, sondern an einer entsprechenden Sammelstelle für das Recycling elektrischer und elektronischer Geräte abzugeben ist.

Entsorgen Sie Müll gemäß örtlich geltenden Vorschriften.

Falls Sie weitere Informationen über die Weiterverarbeitung, Wiederverwertung und das Recycling dieses Produkts erfahren möchten, wenden Sie sich bitte an Ihre Behörde vor Ort, an Ihr Entsorgungsunternehmen oder den Händler, bei dem Sie das Gerät erworben haben.

INSTALLATIONSANLEITUNGEN

- Die Installation und die elektrischen Anschlüsse müssen von einer Fachkraft durchgeführt werden.
- Tragen Sie während der Installation Schutzhandschuhe.
- Elektrische Anschlüsse:
 - Dieses Gerät ist ein Gerät der Schutzklasse II; ein Erdungskabel ist daher nicht erforderlich. Die Schnittstelle für die Stromversorgung muss nach der Installation des Geräts leicht zugänglich sein. Falls das Netzkabel des Geräts nicht über einen Stecker verfügt, muss ein entsprechend großer, allpoliger Schalter mit einem Kontaktabstand von mindestens 3 mm gemäß geltenden Last- und Stromvorschriften zwischen dem Gerät und der Stromversorgung installiert werden.
 - Verbinden Sie die Stromversorgung wie folgt:
BRAUN = stromführender Leiter (L)
BLAU = neutraler Leiter (N).
- Falls Sie einen E-Herd, Gasherd oder Induktionsherd verwenden, muss der Abstand zwischen dem gleichen und unteren Teil der Abzugshaube mindestens 65 cm betragen. Falls Sie ein zweiteiliges Verbindungsrohr verwenden, muss der obere Teil außerhalb des unteren Teils positioniert werden. Schließen Sie die Abzugshaube nicht an die gleiche Leitung an, die für die Zirkulation heißer Luft oder den Abzug von Dämpfen anderer Geräte (keine elektrische Quelle) verwendet werden. Bevor Sie mit der Installation fortfahren, entfernen Sie den/die Fettschutzfilter (Abb. 1) für eine einfachere Handhabung des Geräts.
- Falls Sie die Abzugsversion des Geräts installieren, bereiten Sie zunächst die Öffnung für die Abführung der Luft vor.

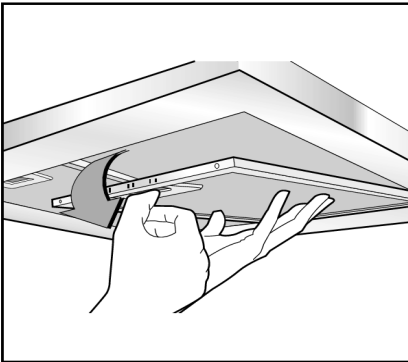


Abb. 1

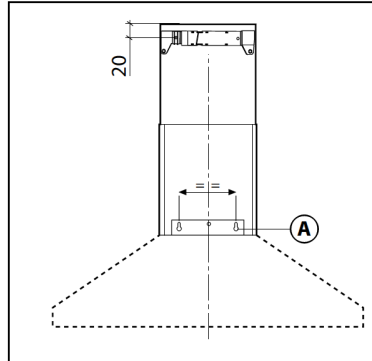


Abb. 2

- Wir empfehlen die Verwendung einer Luftabzugsleitung mit dem gleichen Durchmesser wie der Auslass für den Luftabzug. Falls Sie eine Leitung mit kleinerem Durchmesser verwenden, wird möglicherweise die Effizienz des Produkts beeinträchtigt und während des Betriebs kann Lärm entstehen.
- Falls Sie das Gerät in Wohnungen installieren möchten, die über ein zentrales Abzugssystem verfügen, gehen Sie wie folgt vor:
 - Der Schalter steuert das Öffnen und Verschließen eines Ventils, das über eine elektrische Thermovorrichtung verfügt. Wenn Sie den Schalter auf die EIN-Position stellen, wird das Ventil nach einer Minute um 90° geöffnet und ermöglicht somit den Abzug schlechter Luft. Wenn Sie den Schalter auf die AUS-Position stellen, schließt sich das Ventil nach 100 Sekunden.

- Wandmontage:

Bohren Sie die Löcher A unter Berücksichtigung der angegebenen Abstände (Abb. 2).

Befestigen Sie das Gerät an der Wand und richten Sie es horizontal mit anderen Wandschränken aus. Sichern Sie das Gerät nach der Ausrichtung mit den Schrauben A (Abb. 3). Verwenden Sie je nach Installation und Wandtyp (Beton, Gips, usw.) entsprechende Schrauben und Dübel, die im Lieferumfang enthalten sind. Überprüfen Sie, ob die mitgelieferten Schrauben und Dübel für die Wand, an der Sie das Gerät befestigen wollen, geeignet sind.

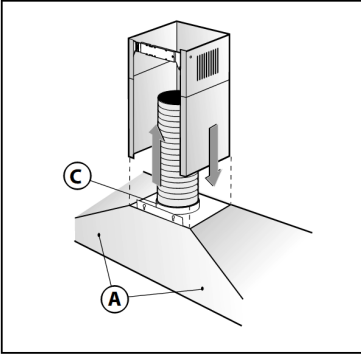


Abb. 3

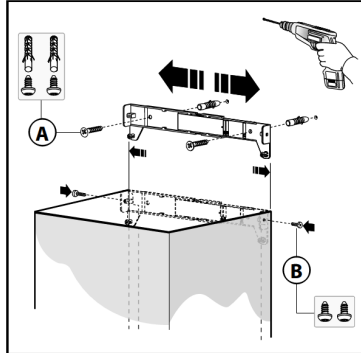


Abb. 4

- Befestigung des dekorativen Abzugsrohrs:

Arrangieren Sie die Stromversorgung innerhalb der Abmessungen des dekorativen Rohrs. Falls Sie Ihr Gerät als Abzugsversion oder mit einem externen Antrieb installieren, bereiten Sie die Öffnung für den Luftabzug vor. Passen Sie die Breite des Haltebügels für das obere Abzugsrohr an (Abb. 4). Befestigen Sie es dann mit den Schrauben A (Abb. 4) so an der Decke, dass es auf einer Linie mit der Abzugshaube ist und dabei die in Abb. 2 vorgegebenen Abstände zur Decke einhält.

Verbinden Sie Flansch C mit der Öffnung des Luftabzugs; verwenden Sie dafür ein Verbindungsrohr (Abb. 5). Stecken Sie das obere Abzugsrohr in das untere Abzugsrohr; stützen Sie es oberhalb des Gestells ab. Ziehen Sie das obere Abzugsrohr bis zur Halterung aus und sichern Sie es mit den Schrauben B (Abb. 4). Um das Gerät von der Abzugsversion in eine Filterversion umzuwandeln, kontaktieren Sie Ihren Händler für die Kohlefilter und folgen Sie den Installationsanleitungen.

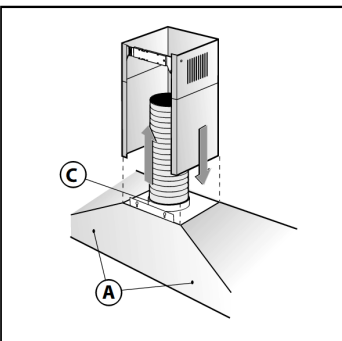


Abb. 5

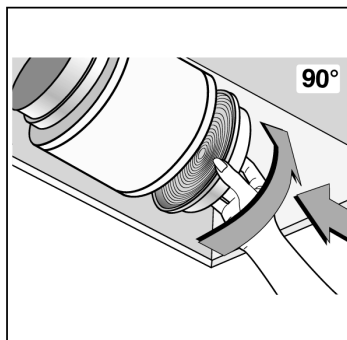


Abb. 6

- Filterversion:

Installieren Sie die Abzugshaube und die zwei Abzugsrohre, wie im Abschnitt zur Installation der Abzugsversion beschrieben. Beziehen Sie sich für die Installation des Filterrohrs auf die Angaben im Montagebausatz. Falls kein Bausatz mitgeliefert wurde, können Sie diesen bei Ihrem Händler als Zubehör bestellen. Die Filter müssen an der Abzugseinheit im Inneren der Abzugshaube befestigt werden. Zentrieren Sie die Filter, indem Sie diese um 90 Grad drehen, bis die Arretierung ausgelöst wird (Abb. 6).

GEBRAUCH DER ABZUGSHAUBE

Bedienfeld



Lampe



– Drücken, um die Lampe ein-/auszuschalten

Leistung – Leistung je nach Kochbedingungen einstellen



Niedrig - Leichtes Braten/Kochen. Drücken Sie diese Taste einmal, um die niedrige Leistung einzuschalten, und ein zweites Mal, um den Motor auszuschalten.



Mittel - Braten/ im Wok kochen/ starkes Kochen. Drücken Sie diese Taste einmal, um die mittlere Leistung einzuschalten, und ein zweites Mal, um den Motor auszuschalten.



Hoch - Grillen, intensives Braten und Kochen im Wok. Drücken Sie diese Taste einmal, um die hohe Leistung einzuschalten, und ein zweites Mal, um den Motor auszuschalten.



Booster - Drücken Sie diese Taste einmal, um die höchste Leistung einzuschalten, und ein zweites Mal, um den Motor auszuschalten.

Booster-Funktion

Diese Abzugshaube verfügt über eine Booster-Funktion. Um diese Funktion einzuschalten, drücken Sie die Taste B während des Betriebs. Die Leistung wird 8 Minuten lang erhöht und anschließend wieder reduziert. Wir empfehlen, die Abzugshaube zunächst einige Minuten vor dem Kochen einzuschalten und im Nachhinein weitere 8 Minuten laufen zu lassen, um sicherzustellen, dass alle Gerüche entfernt werden.

Dieses Gerät ist nicht geeignet für den Gebrauch durch Kinder oder Personen mit eingeschränkten körperlichen, sensorischen oder geistigen Fähigkeiten, oder ohne Erfahrung und Wissen, es sei denn sie werden beaufsichtigt oder angeleitet.

WARNUNG – Zugängliche Teile können während des Gebrauchs mit Kochgeräten heiß werden. Drücken Sie den Lichtschalter bis zur Position „Ein“, um den Bereich unterhalb der Haube zu beleuchten. Schalten Sie die Lampe aus, indem Sie den Schalter auf die Position „Aus“ stellen.

Drücken Sie zum Einschalten des Geräts die entsprechende Leistungstaste: **1** niedrige, **2** mittlere oder **3** hohe Leistung. Die Anzeigelampe leuchtet auf und weist auf den Betrieb des Gebläses hin. Drücken Sie die Taste „Aus“, um das Gerät auszuschalten.

REINIGUNG & WARTUNG

Schalten Sie das Gerät vor der Reinigung oder Wartung aus.

LED-Lampen ersetzen

Falls Ihr Modell über LED-Lampen verfügt, dürfen diese nur von einer speziellen Fachkraft ersetzt werden.

Äußeres Gehäuse

Alle externen Teile des äußeren Gehäuses können mit einem sauberen, mit heißem Spülwasser angefeuchteten Lappen gereinigt werden.

Verwenden Sie keine ätzenden Lotionen, Scheuermittel, Drahtwolle, harte Werkzeuge oder chlorhaltige Produkte, da diese die Oberfläche beschädigen könnten.

Hartnäckige Verschmutzungen können Sie mit einem Edelstahlreiniger entfernen. Reinigen Sie die gesamte Edelstahlfläche, um eine gleichmäßige Oberflächenverarbeitung beizubehalten.

Spitze Gegenstände können die Edelstahloberfläche beschädigen; solche Beschädigungen verblassen jedoch mit der Zeit.

Um die Edelstahloberfläche in gutem Zustand zu halten, oder um Fettrückstände zu beseitigen, reiben Sie die Edelstahloberfläche mit einer kleinen Menge Babyöl und einem Küchenpapier ein.

Verwenden Sie kein Speiseöl, da dieses Salz enthalten und dadurch die Oberfläche beschädigen kann.

Schalten Sie das Gerät vor der Reinigung oder Wartung aus.

Um Brandgefahren zu vermeiden, befolgen Sie die nachfolgenden Reinigungsvorschriften:

Fettfilter

Die Fettfilter absorbieren Fett und Staub, die in den Kochdämpfen enthalten sind und anderenfalls die Abzugshaube beschädigen würden.

Die Fettfilter müssen regelmäßig entfernt und gereinigt werden – bei normalem Gebrauch alle 2 Monate.

Reinigen Sie die Filter im warmen Spülwasser oder im Geschirrspüler. Nach dem Reinigen können die Filter leicht verfärben; deren Leistung wird davon jedoch nicht beeinträchtigt.

Wichtig: Eine regelmäßige Reinigung ist erforderlich, um zu vermeiden, dass sich Fettrückstände in den Filtern ansammeln; solche Rückstände stellen eine Brandgefahr dar.

1. Nehmen Sie die Filter aus der Abzugshaube.

2. Reinigen Sie die Filter vorsichtig im heißen Spülwasser und trocknen Sie diese dann mit einem sauberen Handtuch ab.

3. Installieren Sie dann wieder die Filter.

Kohlefilter (nur Modelle mit interner Luftaufbereitung)

Die Kohlefilter absorbieren Gerüche und müssen nach 6 Monaten des normalen Gebrauchs ersetzt werden. Ersatzkohlefilter erhalten Sie von unserem Kundendienst (siehe Rückseite der Bedienungsanleitung).

Die Sättigung der im Filter aktivierten Kohle hängt davon ab, wie oft und in welcher Art von Küche Sie die Abzugshaube verwenden und wie oft Sie den Fettfilter reinigen.

Die Kohlefilter können nicht gereinigt werden – ersetzen Sie diese alle 6 Monate.

TECHNISCHE DATEN

Stromversorgung

220 - 240V ~ 50Hz

Schutzklasse

Klasse I

Lärmpegel (externer Abzug)

Flache Haube

Booster	72 dBA
Position 3	65 dBA
Position 1	52 dBA

Rauchfang

Booster	72 dBA
Position 3	65 dBA
Position 1	52 dBA

Glühbirnen

2 x 1,5W LED

Nennleistung Motor

250W

Fettfilter

3 Aus - Aluminiumabdeckung

Hinweis: Nach der Reinigung können die Fettfilter leicht verfärben – dies beeinträchtigt jedoch nicht die Leistung der Filter.

Kohlefilter

2 Aus – Ersatzfilter verfügbar

Abzugsrate (extern)

Flache Haube

Booster	805.8 m ³ /H
Position 3	605.7 m ³ /H
Position 1	280.0 m ³ /H

Rauchfang

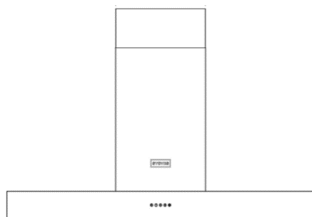
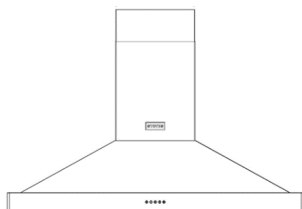
Booster	805.8 m ³ /H
Position 3	605.7 m ³ /H
Position 1	280.0 m ³ /H

STOVES KUNDENDIENST

Country	Contact Address	Contact details
France	Glen Dimplex France ZI petite Montagne Sud 12 rue des Cévennes - Lisses 91017 EVRY cedex FRANCE	Service Number: 01 69 11 11 85 Tel: 00 33 (0)1 69 11 11 91 Fax: 00 33 (0)1 60 86 28 37 direction@glendimplex-france.fr www.glendimplex-france.fr
Holland/ Belgium	Glen Dimplex Benelux B.V. Nederland/Le Pays Bas Saturnus 8 8448 CC Heerenveen Tel: +31 (0) 513-656500 Fax: +31 (0) 513-656501 www.stoves.nl België/Belgique Burgemeester Maenhoutstraat 64 9820 Merelbeke Tel: +32 (0)92100210 Fax: +32 (0)92100212 www.stoves.be	Productregistratie/ Registration de produit www.gdbservice.com Serviceaanvraag/ Demande de service www.stoves.nl / www.stoves.be zie banner 'service' homepagina voir la banniere 'service' sur notre page d'accueil
Germany/ Austria	ELESCO EUROPA GmbH Karl-Wiechert-Allee 74a D-30625 Hannover	Telefon: +49-(0)511-5151 3360 Fax: +49 (0)511 5343 0910 info@elesco-europa.com www.vittoria5sterne.de
Poland	OPTIDATA Sp. z o. o., ul. Wielicka 50/5, 30-552 Kraków	+48 12 383 39 30 www.kuchniestoves.pl service.stoves@optidata.pl
Sweden	Lindström & Sondén AB Havsbadsvägen 1 26263 Ängelholm	Tele: 010-1011656 Email: info@lsbolagen.se
Republic of Ireland	Glen Dimplex Ireland, Airport Road, Cloghran, Co. Dublin	Service Telephone No.' (01) 8428222 Service and Spare Parts. serviceireland@glendimplex.com
Other	Glen Dimplex Home Appliances, Stoney Lane, Prescot, Merseyside, L35 2XW	Tel: 0844 815 3740

S T O V E S

STOVES



**Stoves Páraelszívó
Használati útmutató**

Tartalomjegyzék

Bevezetés	2
Biztonsági óvintézkedések	3
Telepítési útmutató	4
A páraelszívó használata	6
Ápolás és tisztítás	7
Műszaki adatok	8
Stoves Ügyfélszolgálat	9

Bevezetés

Köszönjük, hogy megvásárolta a Stoves eme kiváló minőségű páraelszívóját.

Üzletpolitikánk alapja a folyamatos fejlesztés és fejlődés. Az ábrák és a leírások szigorú pontosságát nem garantáljuk. A kivitelt és az anyagokat érintő módosítások a kiadást követően szükségesek lehetnek.

Mielőtt első alkalommal használja a berendezést, távolítsa el valamennyi csomagolóanyagot és a polietilén védőfóliát.

A berendezést elszívó (levegő kültérbe ürítése) vagy szűrő (belső levegőcsere) funkció ellátására tervezték. Megjegyzés: Elszívó vezetékét és szénzsűrőt nem szállítunk a berendezéssel. Emre alkatrészek rendelésével kapcsolatos részleteket a kézikönyv végén talál.

A berendezés összetettségére és súlyára tekintettel ajánljuk, hogy a telepítést szakértő személyzet végezze.

A gyártó a nem megfelelő telepítésből eredő károkért nem vállal felelősséget.

Kérjük, olvassa figyelmesen a kézikönyvet és őrizze meg jövőbeli kérdések esetére.

BIZTONSÁGI ÓVINTÉZKEDÉSEK

1. Legyen körültekintő, ha a páraelszívó olyan nyitott tűzhellyel vagy főzőlappal egyszerre működik, amelyek működése a környezetben lévő levegőtől függ. A páraelszívó eltávolítja azt a levegőt a közegből, amelyre a főzőlapnak vagy a tűzhelynek szükséges van az égéshez.

A negatív környezeti nyomás nem haladhatja meg a 4Pa (4x10⁻⁵ bar) értéket. Biztosítson megfelelő szellőzést a páraelszívó biztonságos működtetéséhez. A levegő kivezetésére vonatkozóan kövesse az adott helyszínen érvényes törvényi előírásokat.

Mielőtt az eszközt áramforráshoz csatlakoztatná, tekintse át az adatlécet (a berendezés belsejében), és győződjön meg róla, hogy a feszültség és az teljesítmény megfelel a hálózati értékeknek, és a konnektor is megfelelő. Amennyiben kétségei merülnek fel, kérdezzen meg egy szakértő villanyszerelőt.

Amennyiben a tápkábel sérült, ki kell cserélni. Ezt közvetlenül beszerezheti a gyártótól.

Az eszközt A3 biztosítókkal rendelkező csatlakozón keresztül vagy A3 biztosítókkal védett 2 fázisú lábon keresztül kell a táphálózathoz csatlakoztatni.

2. Figyelem!

Bizonyos körülmények esetén az elektromos készülékek veszélyt jelenthetnek.

A) Ne ellenőrizze a szűrők állapotát, amíg a páraelszívó működik.

B) Ne érintse meg az izzókat és környéküket a használat során vagy közvetlenül a hosszabb használatot követően.

C) A páraelszívó alatt tilos flambirozni.

D) Kerülje a nyílt lángot, ez ugyanis károsítja a szűrőket és tűzveszélyes.

E) Ne hagyjon sült ételt felügyelet nélkül, a forró olaj ugyanis tűzveszély forrása lehet.

F) Karbantartás előtt csatlakoztassa le az áramforrásról.

G) A berendezést kisgyermek és mentálisan sérült személyek felügyelet nélkül ne használják.

H) A kisgyermekeket tartsa figyelemmel, hogy a berendezéssel ne játsszanak.

I) Amennyiben a páraelszívót gázt vagy más üzemananyagot égető (nem elektromos) berendezésekkel egyidőben használja, megfelelő szellőzés biztosítása szükséges.

L) Amennyiben a tisztítást nem jelen útmutatások szerint végzi, tűzveszély kockázata állhat fenn.

A berendezés megfelel az 2002/96/EK európai irányelvnek: WEEE - Az elektromos és elektronikus berendezések hulladékaira vonatkozó irányelv.

A terméken vagy a mellékelt papírokon szereplő jel azt mutatja, hogy a készülék nem kezelhető háztartási hulladékként, hanem kijelölt elektromos és elektronikai estközőket újrahasznosító pontra szállítandó.

A hulladék ártalmatlanításával/elhelyezésével kapcsolatban kövesse a helyi előírásokat.

A termék kezelésére, újbóli használatára vagy újrahasznosítására vonatkozó bővebb információért vegye fel a kapcsolatot a helyi hatósággal, a háztartási hulladék-gyűjtő szolgáltatóval vagy a kereskedővel, ahol a berendezést vásárolta.

TELEPÍTÉSI ÚTMUTATÓ

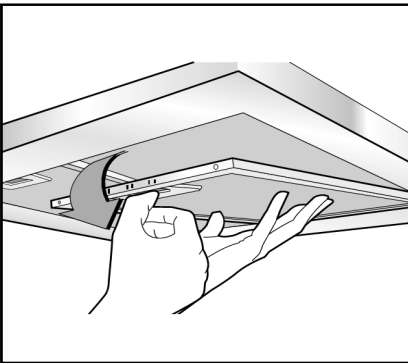
- Az összeszerelést és az elektromos csatlakoztatást szakértő személyzet végezze.
- Mielőtt a telepítéshez kezd, viseljen védőkesztyűt.
- Elektromos csatlakoztatás:
 - A berendezést II. osztályúként gyártották, így nincs szükség földelő kábelre. A csatlakozási pont a berendezés telepítését követően maradjon könnyen hozzáférhető. Amennyiben a berendezést csatlakozó nélküli tápkábellel szerelték fel, a berendezés és az áramforrás között minimum 3 mm nyílással rendelkező megfelelő méretű omnipoláris kapcsoló elhelyezése szükséges, a terhelés és az aktuális szabályozások szerint.
 - A hálózati csatlakoztatás a következőképpen történik:
BARNA = L vezeték
KÉK = N semleges

• Amennyiben a főzőlap elektromos, gáz vagy indukciós, a főzőlap és páraelszívó legalsóbb része közötti távolság legalább 65 cm legyen. Amennyiben két részből álló csatlakozócsövet használ, a felső részt az alsó részen kívül kell elhelyezni.

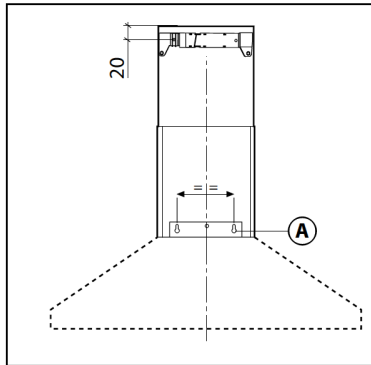
A kürtő kivezetőcsövét ne csatlakoztassa ugyanahhoz a vezetékhez, ami a forró levegőt keringteti, vagy más, nem elektromos forrású berendezések gőzét vezet ki.

Az összeszerelés megkezdése előtt távolítsa el a zsírszűrőt (1. ábra), hogy az eszközt könnyebben kezelje.

- Amennyiben elszívó verzióban szereli össze a berendezést, készítse elő a levegő kivezetéséhez szükséges nyílást.



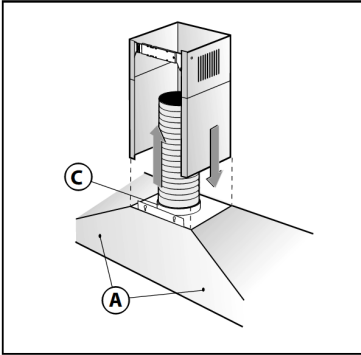
1.ábra



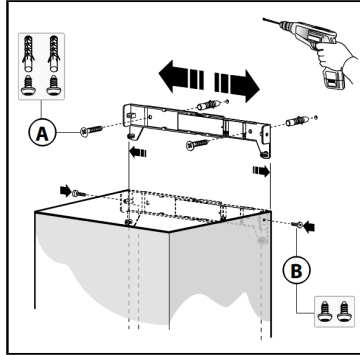
2.ábra

- Olyan elszívócső használatát javasoljuk, amelyik átmérője megegyezik a kivezető nyílás átmérőjével. Amennyiben kisebb átmérőjű csövet használ, a termék teljesítményének hatékonysága csökkenhet és működése zajosabbá válhat.
- Amennyiben a berendezést olyan lakásokba tervezték, amelyekben központi elszívó berendezés működik, a következőképpen járjon el:
 - A kapcsoló egy termo-elektromos eszközt használó szelep kinyílását és záródását irányítja. Amennyiben a kapcsolót ON/BE állásba állítja, egy perccel később a szelep 90° forgással kinyílik, ezzel biztosítva a használt levegő elszívását. A kapcsoló OFF/KI állásba állításával a szelep 100 másodperc elteltével bezárul.
- Falra szerelés:
 - Fúrja ki az A lyukakat, ügyelve a megadott távolságokra (2. ábra).
 - Rögzítse a berendezést a falhoz, és igazítsa vízszintes helyzetben a fali egységekhez. Amikor a készüléket beállította, az A csavarok használatával rögzítse véglegesen a páraelszívót (3. ábra). Különböző szerelési módok esetén használjon a faltípusnak (pl. vasbeton, gipszkarton, stb.) megfelelő csavarokat és tipliket.
 - Amennyiben a termékhez mellékeltek csavarokat és tipliket, ellenőrizze, hogy azok alkalmasak-e ahhoz a

faltípushoz, amelyre a páraelszívót rögzíteni kívánja.



3. ábra

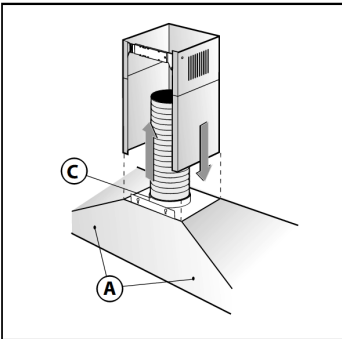


4. ábra

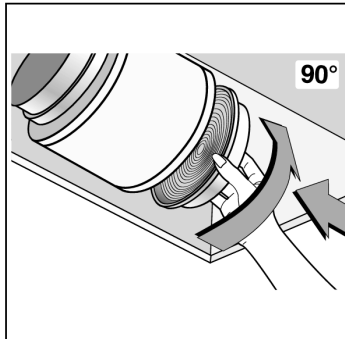
• A dekoratív teleszkópos kürtő rögzítése:

Az elektromos tápforrást helyezze el a dekoratív kürtőn belül. Amennyiben a berendezést elszívó vagy külső motorral rendelkező verzióban szereli fel, készítse elő az elszívó nyílást. Állítsa be a felső kürtő tartókeretének szélességét (4. ábra). Ezt követően rögzítse a mennyezethez az A csavarok segítségével (4. ábra), oly módon, hogy egy vonalban legyen a páraelszívóval, és a 2. ábrán meghatározott mennyezettől való távolság is megmaradjon.

Csatlakozósó segítségével csatlakoztassa a C peremet az elszívó nyíláshoz (5. ábra). Helyezze a felső kürtőt az alsó kürtőbe, a maradék részt a keret fölé. Emelje ki a felső kürtőt a keretig és rögzítse a B csavarokkal (4. ábra). Amennyiben a páraelszívót elszívó helyett szűrő módúra kívánja állítani, vásároljon szénműtrőket és kövesse a telepítési útmutatót.



5. ábra



6. ábra

• Szűrő verzió:

Szerelje fel a páraelszívót és a két kürtőt az elszívó módú telepítésről szóló fejezetben foglaltak szerint. A szűrőkémény összeszerelését illetően kövesse a készletben lévő útmutatót. Amennyiben ez nem áll rendelkezésre, rendelje meg kiegészítőként a forgalmazójától. A szűrőket a kürtőben elhelyezett elszívó egységhez kell csatlakoztatni. Helyezze középre, majd ütközésig forgassa el 90 fokkal (6. ábra).

A PÁRAELSZÍVÓ HASZNÁLATA

Vezérlés



Világítás



– Nyomja meg a világítás fel/lekapcsolásához

Sebesség – válassza ki az adott főzéshez megfelelő sebességet



Alacsony - Lassú sütés/főzés. Nyomja meg a gombot az alacsony sebességre váltáshoz, majd még egyszer, a motor kikapcsolásához.



Közepes - Olajban sütés/wokban sütés/erős forralás. Nyomja meg a gombot a közepes sebességre váltáshoz, majd még egyszer, a motor kikapcsolásához.



Nagy - Grillezés, intenzív olajban sütés és wokban sütés/főzés. Nyomja meg a gombot a nagy sebességre váltáshoz, majd még egyszer, a motor kikapcsolásához.



Extra - Nyomja meg a gombot a legnagyobb sebességre váltáshoz, majd még egyszer, a (Booster) motor kikapcsolásához.

Extra funkció

A páraelszívó extra funkcióval is rendelkezik. Az extra funkció aktiválásához nyomja meg a B gombot miközben a páraelszívó működik, így a sebesség 8 percre még inkább megnő, mielőtt újra lelassulna.

Javasoljuk, hogy főzés előtt néhány perccel már kapcsolja be a páraelszívót, majd a főzést követően hagyja bekapcsolva körülbelül 8 percig, hogy minden szag távozhasson.

A berendezést gyermekek és csökkent fizikai, érzékszervi vagy szellemi képességű személyek, illetve tapasztalattal és kellő tudással nem rendelkező személyek felügyelet vagy utasítás/útmutatás nélkül ne használják.

FIGYELMEZTETÉS - Főzőeszközökkel történő használat esetén a hozzáférhető részek forróak lehetnek. A kürtő alatti főzőterület megvilágításához állítsa a lámpa gombját "ON/BE" állásba. Kikapcsoláshoz nyomja meg újra, az "OFF/KI" állásba történő visszaállításhoz.

A páraelszívó működtetéséhez nyomja meg a kívánt sebességhez tartozó gombot. **1** alacsony, **2** közepes, vagy **3** nagy sebesség. A neon jelzőfény kigyullad, jelezve, hogy az elszívó működik. Kikapcsoláshoz nyomja meg a "KI" gombot.

ÁPOLÁS ÉS TISZTÍTÁS

Tisztítás vagy karbantartás előtt kapcsolja ki az áramellátást.

A LED izzók cseréje

Amennyiben a modell LED izzókkal felszerelt, cseréjükhöz szakértő beavatkozása szükséges.

Külső borítás

A külső borítás valamennyi része/eleme biztonságosan tisztítható meleg szappanos vízzel átitatott tiszta ruhával. Ne használjon maró pasztákat, karcoló súrolóporokat, dörzsszivacsot, kemény eszközöket vagy más, klór tartalmú szereket, ezek ugyanis károsítják/sértik a felületeket.

A makacs szennyeződések rozsdamentes acél tisztítására alkalmas tisztítószerrel távolíthatók el. Ajánljuk, hogy a teljes rozsdamentes acél felületet tisztítsa le, ezzel biztosítva a felület egységességét.

Az éles tárgyak nyomot hagyhatnak a rozsdamentes acél felületen, ezek azonban idővel kevésbé észrevehetővé válnak.

A rozsdamentes acél felület csillogását megőrzendő, illetve a zsírpettyek eltávolításához törölje át a felületet egy kevés babaolajjal átitatott konyhai törlőpapírral.

Ne használjon főzőolajokat, ezek ugyanis sót tartalmazhatnak, és károsíthatják a rozsdamentes acél felületet.

Tisztítás vagy karbantartás előtt kapcsolja ki az áramellátást.

Tűzveszély elkerülése érdekében tartsa be a tisztításra vonatkozó alábbi utasításokat:

Zsírszűrők

A zsírszűrők felszívják a főzés során keletkező párában lévő zsírt és port, amelyek ellenkező esetben tönkretennék a páraelszívó belsejét.

A zsírszűrőket rendszeresen ki kell venni és kitisztítani - normál használat mellett ez kéthavonta esedékes.

A tisztításhoz használjon meleg szappanos vizet vagy mossa el mosogatógépben. A mosást követően a szűrők színe kissé megváltozhat, ez azonban nem befolyásolja a teljesítményüket.

Fontos: A gyakori mosás elengedhetetlenül fontos a zsír szűrőkön való lerakódásának megelőzéséhez, ami tűzveszélyt okozhat.

1. Vegye ki a szűrőket a páraelszívóból.
2. Alaposan mossa el a szűrőket meleg szappanos vízzel, és törölje át tiszta ruhával.
3. Helyezze vissza a tiszta szűrőket.

Szénszűrők (csak recirkulációs módú használatra telepített modellek)

A szénszűrők magukba szívják a főzőeszköz keletkező szagokat, normál használat mellett 6 hónap után cserélni kell őket. A szénszűrők cseréje Vevőszolgálatunktól kérhető (részletek a kézikönyv hátoldalán).

A szűrőben lévő aktív szén telítődése a páraelszívó használatának gyakoriságától, a konyha típusától és a zsírszűrő tisztításának rendszerességétől függ.

A szénszűrők nem moshatók - 6 havonta cserélje őket.

MŰSZAKI ADATOK

Áramellátás

220 - 240V ~ 50Hz

Besorolás

I osztály

Zajszint (külső szellőzés)

Hagyományos, lapos páraelszívó

Extra funkció 72 dBA

3. pozíció 65 dBA

1. pozíció 52 dBA

Kürtös páraelszívó

Extra funkció 72 dBA

3. pozíció 65 dBA

1. pozíció 52 dBA

Égők

2 x 1,5W LED

Motor

250W

Zsírszűrők

3 Ki - Alumínium lemez

Megjegyzés: Tisztítást követően a zsírszűrők kissé kifakulhatnak - ez nem befolyásolja teljesítményüket.

Szénszűrők

2 Ki - Tartalékként rendelkezésre áll

Elszívó teljesítmény (Külső)

Hagyományos, lapos páraelszívó

Extra funkció 805.8 m³/H

3. pozíció 605.7 m³/H

1. pozíció 280.0 m³/H

Kürtös páraelszívó

Extra funkció 805.8 m³/H

3. pozíció 605.7 m³/H

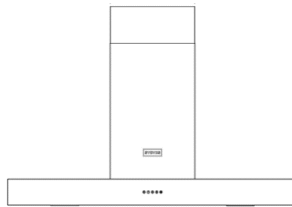
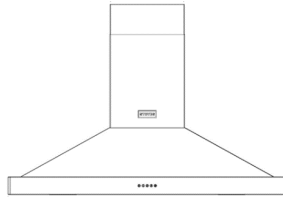
1. pozíció 280.0 m³/H

STOVES ÜGYFÉLSZOLGÁLAT

Country	Contact Address	Contact details
France	Glen Dimplex France Z1 petite Montagne Sud 12 rue des Cévennes - Lisses 91017 EVRY cedex FRANCE	Service Number: 01 69 11 11 85 Tel: 00 33 (0)1 69 11 11 91 Fax: 00 33 (0)1 60 86 28 37 direction@glendimplex-france.fr www.glendimplex-france.fr
Holland/ Belgium	Glen Dimplex Benelux B.V. Nederland/Le Pays Bas Saturnus 8 8448 CC Heerenveen Tel: +31 (0) 513-656500 Fax: +31 (0) 513-656501 www.stoves.nl België/Belgique Burgemeester Maenhautstraat 64 9820 Merelbeke Tel: +32 (0)92100210 Fax: +32 (0)92100212 www.stoves.be	Productregistratie/ Registration de produit www.gdbservice.com Serviceaanvraag/ Demande de service www.stoves.nl / www.stoves.be zie banner 'service' homepagina voir la banniere 'service' sur notre page d'accueil
Germany/ Austria	ELESCO EUROPA GmbH Karl-Wiechert-Allee 74a D-30625 Hannover	Telefon: +49-(0)511-5151 3360 Fax: +49 (0)511 5343 0910 info@elesco-europa.com www.vittoria5sterne.de
Poland	OPTIDATA Sp. z o. o., ul. Wielicka 50/5, 30-552 Kraków	+48 12 383 39 30 www.kuchniestoves.pl service.stoves@optidata.pl
Sweden	Lindström & Sondén AB Havsbadsvägen 1 26263 Ängelholm	Tele: 010-1011656 Email: info@lsbolagen.se
Republic of Ireland	Glen Dimplex Ireland, Airport Road, Cloghran, Co. Dublin	Service Telephone No.' (01) 8428222 Service and Spare Parts. serviceireland@glendimplex.com
Other	Glen Dimplex Home Appliances, Stoney Lane, Prescot, Merseyside, L35 2XW	Tel: 0844 815 3740

S T O V E S

STOVES



**Cappa Aspirante Stoves
Manuale D'Uso**

Indice

Introduzione	2
Precauzioni di Sicurezza.	3
Istruzioni per l'Installazione.	4
Utilizzo della Cappa.	6
Cura e Pulizia.	7
Dati Tecnici.	8
Servizio Clienti Stoves.	9

Introduzione

Stoves Vi ringrazia per aver acquistato la nostra cappa aspirante di alta qualità.

La nostra politica è di costante sviluppo e miglioramento. Non è garantita la precisione rigorosa di illustrazioni e caratteristiche tecniche. Potrà essere necessario l'aggiornamento a design e materiali successivamente alla pubblicazione.

Rimuovere tutti gli imballaggi e la pellicola protettiva in polietene, prima di utilizzare l'apparecchio per la prima volta.

Questo apparecchio è stato progettato per essere utilizzato come una cappa estenuante (evacuazione aria verso l'esterno) o filtrante (riciclo dell'aria interna).

Nota: Questo apparecchio non è fornito di un kit di canalizzazione o filtri a carbone. Per l'ordinazione di queste parti consultare i dettagli sul retro del manuale.

A causa della complessità e il peso dell'apparecchio, si consiglia che l'installazione avvenga da parte di personale specializzato.

Il costruttore declina ogni responsabilità per danni causati da un uso improprio o dall'installazione.

Si prega di leggere attentamente questo manuale e conservarlo per riferimenti futuri.

PRECAUZIONI DI SICUREZZA

1. Si prega di fare attenzione nel caso in cui la cappa è in funzione in contemporanea con un camino a fiamma viva o bruciatore che dipende dall'aria nell'ambiente. La cappa aspirante rimuove l'aria dall'ambiente che un bruciatore o un focolare necessita per la combustione.

La pressione negativa nell'ambiente non deve superare i PA (4×10^{-5} bar). Fornire una ventilazione adeguata nell'ambiente per un funzionamento sicuro della cappa. Seguire le leggi locali applicabili per l'evacuazione dell'aria esterna.

Prima di collegare il modello alla rete elettrica è necessario rivedere la targa dati (posizionata all'interno dell'apparecchio) per confermare che la tensione e la potenza corrispondano alla rete e la presa sia idonea. In caso di dubbi, consultare un elettricista qualificato.

Se il cavo di alimentazione è danneggiato deve essere sostituito, che può essere ottenuto direttamente dal produttore.

Questo dispositivo deve essere collegato alla rete di alimentazione attraverso una spina fusa 3A o un cablato da uno sperone di fase 2 protetto da fusibile 3A.

2. **Attenzione!**

In determinate circostanze gli apparecchi elettrici possono essere un pericolo.

- A) Non controllare lo stato dei filtri mentre la cappa è in funzione.
- B) Non toccare lampadine o zone adiacenti durante o subito dopo l'uso prolungato dell'impianto d'illuminazione.
- C) E' vietato cuocere alla Flamb è sotto la cappa.
- D) Evitare la fiamma viva in quanto è dannosa per i filtri e un può essere causa di incendio.
- E) Non lasciare la frittura di cibo incustodita in quanto l'olio surriscaldato può diventare causa di incendio.
- F) Disconnettere il collegamento elettrico prima di effettuare qualsiasi azione di manutenzione.
- G) Questo apparecchio non è destinato all'uso da bambini o da persone inferme senza supervisione.
- H) I bambini devono essere sorvegliati per assicurarsi che non giochino con l'apparecchio.
- I) Assicurarsi che ci sia un'adeguata ventilazione della stanza quando la cappa è in uso in contemporanea con apparecchi a gas o altri combustibili che non siano elettrici.
- L) Se la pulizia non viene effettuata secondo le istruzioni, potrebbe esserci un rischio di incendio

Questo apparecchio è conforme alla Direttiva Europea CE/2002/96, Rifiuti Elettrici e Apparecchiature Elettroniche (WEEE).

Il simbolo sul prodotto o sulla documentazione di accompagnamento indica che l'apparecchio non deve essere trattato come rifiuto domestico, ma deve essere consegnato presso un idoneo punto di raccolta di riciclaggio di apparecchiature elettriche ed elettroniche.

Seguire le linee guida locali per lo smaltimento dei rifiuti.

Per ulteriori informazioni sul trattamento, riutilizzo e riciclaggio di questo prodotto, si prega di contattare le autorità locali, il servizio di raccolta dei rifiuti domestici o il rivenditore dove è stato acquistato l'apparecchio.

ISTRUZIONI PER L'INSTALLAZIONE

- Il montaggio e i collegamenti elettrici devono essere effettuati da personale specializzato.
- Indossare guanti protettivi prima di procedere con l'installazione.
- Collegamento elettrico:
 - L'apparecchio è stato costruito in classe II, pertanto non è necessario nessun cavo di terra. Il punto di alimentazione deve essere facilmente accessibile dopo l'installazione dell'apparecchio. Se l'apparecchio è dotato di cavo di alimentazione senza spina, deve essere montato un interruttore onnipolare opportunamente dimensionato con un'apertura minima di 3 mm tra i contatti, tra l'apparecchio e la fornitura di energia elettrica in conformità con il carico e la normativa vigente.
 - Il collegamento alla rete elettrica è effettuato come segue:
MARRONE = L linea
BLU = N neutro.
- Se il piano di cottura è elettrico, a gas o a induzione, la distanza minima tra lo stesso e la parte inferiore della cappa deve essere di almeno 65 cm. Se viene utilizzato un tubo di connessione composto di due parti, la parte superiore deve essere posizionata al di fuori della parte inferiore.
Non collegare lo scarico della cappa allo stesso conduttore usato per far circolare aria calda o per l'evacuazione di fumi da altri apparecchi generati da una sorgente che non sia elettrica.
Prima di procedere alle operazioni di montaggio, è necessario rimuovere il/i filtro/i antigrasso (Fig. 1) in modo che l'unità sia più facile da gestire.
- In caso di montaggio dell'apparecchio in versione aspirante predisporre il foro per l'evacuazione dell'aria.

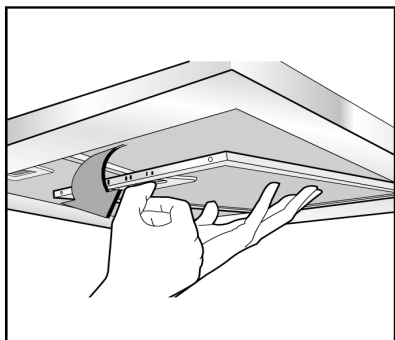


Fig.1

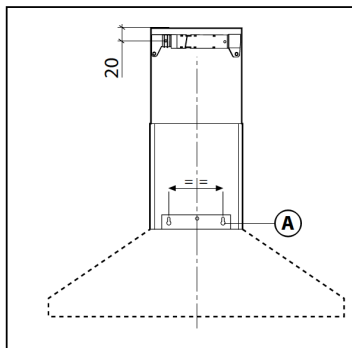


Fig.2

- Si consiglia l'uso di un tubo di scarico dell'aria dello stesso diametro del foro di presa di scarico dell'aria. Se viene utilizzato un tubo con un diametro più piccolo, l'efficienza del prodotto potrebbe essere ridotta e il suo funzionamento potrebbe diventare più rumoroso.
- Se l'apparecchio è stato progettato per l'uso in abitazioni fornito di un dispositivo di aspirazione centralizzato eseguire le operazioni seguenti:
 - L'interruttore controlla l'apertura e la chiusura di una valvola, utilizzando un dispositivo termoelettrico. Posizionando l'interruttore in posizione ON, dopo un minuto, la valvola si apre ruotando di 90° permettendo l'aspirazione dell'aria viziata. Posizionando l'interruttore in posizione OFF, la valvola si chiude dopo 100 secondi.

• Fissaggio a parete:

Praticare i fori A rispettando le distanze indicate (Fig. 2).

Fissare l'apparecchio alla parete e allinearne in posizione orizzontale per i pensili. Una volta che l'apparecchio è stato regolato, fissare definitivamente la cappa utilizzando le viti A (Fig. 3). Per i vari montaggi utilizzare viti e tasselli adatti al tipo di muro (es. cemento armato, cartongesso, ecc.). Se le viti e i tasselli vengono forniti con il prodotto, verificare che siano adatti per il tipo di parete su cui è fissata la cappa.

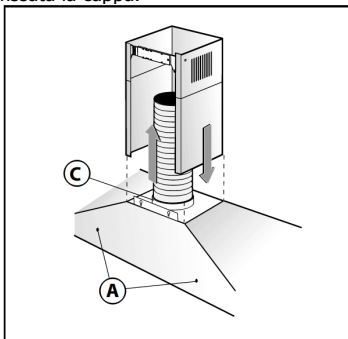


Fig.3

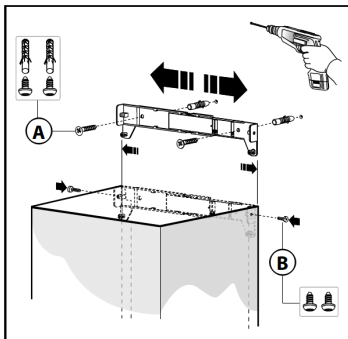


Fig.4

• Fissaggio dei condotti telescopici decorativi:

Organizzare l'alimentazione elettrica entro l'ingombro del condotto decorativo. Se il vostro apparecchio deve essere installato in versione aspirante o in versione con motore esterno, preparare l'apertura dello scarico dell'aria. Regolare la larghezza della staffa di supporto del condotto superiore (Fig. 4).

Successivamente fissarla al soffitto utilizzando le viti A (Fig. 4) in modo tale che sia in linea con la cappa e che rispetti la distanza dal soffitto indicata in Fig. 2.

Collegare la flangia C al foro di scarico dell'aria mediante un tubo connettivo (Fig. 5). Inserire il condotto superiore in quello inferiore e il resto al di sopra della struttura. Sfilare il condotto superiore fino alla staffa e fissarlo con le viti B (Fig. 4). Per trasformare la cappa da una versione aspirante ad una versione filtrante, chiedere al Vostro rivenditore i filtri al carbone attivo e seguire le istruzioni di installazione.

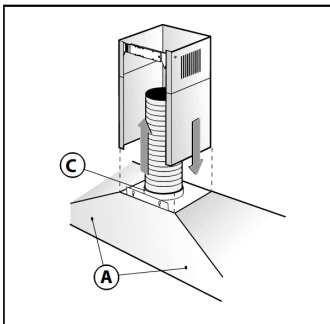


Fig.5

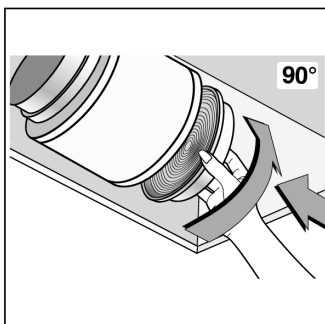


Fig.6

• Versione filtrante:

Installare la cappa e i due condotti come descritto nel paragrafo riguardante il montaggio della cappa in versione aspirante. Per assemblare i condotti filtranti consultare le istruzioni contenute nel kit. Se Vi è stato fornito il kit, è possibile ordinarlo presso il Vostro rivenditore come accessorio. I filtri devono essere applicati all'aspiratore posizionato all'interno della cappa. Essi devono essere centrati ruotandoli di 90 gradi fino a quando scatta il fermo di arresto (Fig. 6).

USO DELLA CAPPA

Comandi



Luce



– Premere per accendere/spegnere la luce

Velocità – selezionare la velocità per soddisfare le condizioni di cottura



Bassa - Friggitura leggera/bollitura. Premere questo pulsante per utilizzare una velocità bassa e per poi spegnere il motore.



Media - Friggitura/cottura con wok/bollitura intensiva. Premere questo pulsante per utilizzare una velocità media e per poi spegnere il motore



Alta - Cottura a griglia, friggitura intensiva e cottura con wok. Premere questo pulsante per utilizzare una velocità alta e per poi spegnere il motore



Booster - Premere questo pulsante per utilizzare la massima velocità e per poi spegnere il motore.

Funzione Booster

Questa cappa ha anche una funzione booster. Per attivare il booster, premere il pulsante B mentre la cappa è in uso e la velocità verrà aumentata per 8 minuti, prima di rallentare nuovamente.

Si consiglia di accendere la cappa per pochi minuti prima di iniziare a cucinare e poi lasciarlo in esecuzione per circa 8 minuti una volta finito, per garantire che tutti gli odori vengono estratti.

L'apparecchio non deve essere utilizzato da bambini o da persone con ridotte capacità fisiche, sensoriali o mentali, o con mancanza di esperienza e conoscenza, a meno che non siano soggetti a supervisione o non siano dati loro istruzioni.

ATTENZIONE – le parti accessibili potrebbero scaldarsi quando utilizzate con apparecchi di cottura. Per illuminare la zona di cottura sotto la cappa, premere il pulsante di controllo della luce in posizione "on". Per spegnere, premere nuovamente per tornare in posizione "off".

Per far funzionare la cappa, premere il pulsante della velocità desiderata - selezionare: **1** bassa, **2** media o **3** alta velocità. La spia al neon si accenderà per mostrare quando il ventilatore è in funzione. Per spegnere, premere il pulsante "off".

CURA E PULIZIA

Disinserire l'alimentazione elettrica prima della pulizia o manutenzione.

Sostituzione delle luci a LED

Se la versione dell'apparecchio è con luci a LED, sar  necessario l'intervento di un tecnico specializzato.

Involucro esterno

Tutte le parti esterne dell'involucro esterno possono essere lavate tranquillamente con un panno pulito strizzato in acqua calda saponata.

Non utilizzare paste caustiche, polveri detergenti abrasive, fili di lana, attrezzi duri o i prodotti contenenti cloruri, poich  potrebbero danneggiare le superfici.

Le macchie ostinate possono essere rimosse utilizzando un pulitore in acciaio inossidabile. Si consiglia di pulire l'intera zona in acciaio inox per mantenere una finitura uniforme.

Oggetti appuntiti potrebbero rovinare la superficie di acciaio inossidabile, ma i segni diventeranno meno evidenti con il tempo.

Per mantenere la finitura dell'acciaio inossidabile o per rimuovere eventuali macchie d'unto, pulire la superficie in acciaio inox con parsimonia con una quantit  minima di Baby Oil e carta da cucina.

Non utilizzare oli da cucina, in quanto questi potrebbero contenere sale, che pu  danneggiare la superficie in acciaio inox.

Disinserire l'alimentazione elettrica prima della pulizia o manutenzione.

Per evitare qualsiasi rischio di incendio, seguire le seguenti istruzioni di pulizia:

Filtri antigrasso

I filtri antigrasso assorbono grasso e polvere provenienti dai fumi di cottura, che danneggerebbero altrimenti l'interno della cappa.

I filtri antigrasso devono essere rimossi e lavati regolarmente - con un uso normale, questo dovrebbe avvenire ogni 2 mesi.

Pulire con acqua calda e sapone, o lavare in lavastoviglie. I filtri antigrasso potrebbero cambiare leggermente colore dopo il lavaggio, tuttavia ci  non influisce sulle loro prestazioni.

Importante: E' indispensabile il lavaggio frequente per evitare un accumulo di grasso nei filtri che potrebbe diventare un pericolo di incendio.

1. Rimuovere i filtri dalla cappa.
2. Lavare i filtri antigrasso in acqua calda e sapone e asciugare con un asciugamano pulito.
3. Rimontare i filtri puliti.

Filtri di carbonio (modelli installati per il solo utilizzo con il metodo di ricircolo)

I filtri di carbonio assorbono gli odori di cottura ed   necessario rinnovarli dopo circa 6 mesi di uso normale. E' possibile trovare i filtri di carbonio di ricambio presso il nostro Servizio Clienti (trovare i dettagli sul retro del manuale).

La saturazione del carbone attivo nel filtro dipender  da quanto spesso la cappa viene utilizzata, dal tipo di cucina e dalla regolarit  della pulizia del filtro antigrasso.

I filtri di carbonio non possono essere lavati - rinnovare ogni 6 mesi.

DATI TECNICI

Fornitura di energia elettrica

220 - 240V ~ 50Hz

Classificazione

classe I

Livello di rumore (ventilazione esterna)

Cappa piatta

Booster 72 dBA

Posizione 3 65 dBA

Posizione 1 52 dBA

Cappa a Parete

Booster 72 dBA

Posizione 3 65 dBA

Posizione 1 52 dBA

Lampadine

2 x 1,5W LED

Potenza motore

250W

Filtri Antigrasso

3 Off - Pannello in alluminio

Nota: Dopo la pulizia, i filtri antigrasso potrebbero cambiare leggermente colore - questo non influisce sulle loro prestazioni.

Filtri in Carbonio

2 Off - Disponibili come Pezzi di Ricambio

Tasso di Estrazione (Esterno)

Cappa Piatta

Booster 805,8 m3/H

Posizione 3 605,7 m3/H

Posizione 1 280,0 m3/H

Cappa a Parete

Booster 805,8 m3/H

Posizione 3 605,7 m3/H

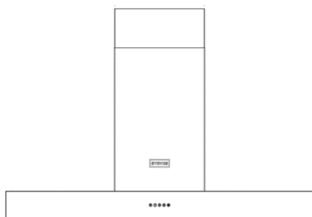
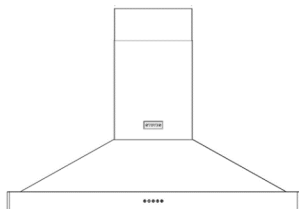
Posizione 1 280,0 m3/H

SERVIZIO CLIENTI STOVES

Country	Contact Address	Contact details
France	Glen Dimplex France ZI petite Montagne Sud 12 rue des Cévennes - Lisses 91017 EVRY cedex FRANCE	Service Number: 01 69 11 11 85 Tel: 00 33 (0)1 69 11 11 91 Fax: 00 33 (0)1 60 86 28 37 direction@glendimplex-france.fr www.glendimplex-france.fr
Holland/ Belgium	Glen Dimplex Benelux B.V. Nederland/Le Pays Bas Saturnus 8 8448 CC Heerenveen Tel: +31 (0) 513-656500 Fax: +31 (0) 513-656501 www.stoves.nl België/Belgique Burgemeester Maenhautstraat 64 9820 Merelbeke Tel: +32 (0)92100210 Fax: +32 (0)92100212 www.stoves.be	Productregistratie/ Registration de produit www.gdbservice.com Serviceaanvraag/ Demande de service www.stoves.nl / www.stoves.be zie banner 'service' homepagina voir la banniere 'service' sur notre page d'accueil
Germany/ Austria	ELESCO EUROPA GmbH Karl-Wiechert-Allee 74a D-30625 Hannover	Teleofon: +49-(0)511-5151 3360 Fax: +49 (0)511 5343 0910 info@elesco-europa.com www.vittoria5sterne.de
Poland	OPTIDATA Sp. z o. o., ul. Wielicka 50/5, 30-552 Kraków	+48 12 383 39 30 www.kuchniestoves.pl service.stoves@optidata.pl
Sweden	Lindström & Sondén AB Havsbadsvägen 1 26263 Ängelholm	Tele: 010-1011656 Email: info@lsbolagen.se
Republic of Ireland	Glen Dimplex Ireland, Airport Road, Cloghran, Co. Dublin	Service Telephone No.' (01) 8428222 Service and Spare Parts. serviceireland@glendimplex.com
Other	Glen Dimplex Home Appliances, Stoney Lane, Prescot, Merseyside, L35 2XW	Tel: 0844 815 3740

S T O V E S

STOVES



Stoves tvaika nosūcējs
Lietotāja rokasgrāmata

Saturs

Ievads	2
Drošības norādījumi	3
Uzstādīšanas instrukcijas	4
Nosūcēja lietošana	6
Apkope un tīrīšana	7
Tehniskie dati.	8
Stoves klientu apkalpošanas dienests.	9

Ievads

Paldies, ka iegādājāties šo Stoves augstas kvalitātes nosūcēju.

Mūsu politika ir viena no pastāvīgas attīstības un uzlabošanas politikām. Netiek garantēta ilustrāciju un specifiskāciju stingra precizitāte. Pēc publicēšanas var būt nepieciešamas dizaina un materiālu modifikācijas.

Pirms ierīces lietošanas pirmo reizi noņemiet visu iepakojumu un aizsargājošo polietilēna plēvi.

Šī ierīce ir paredzēta izmantošanai kā izplūdes (gaisa izvadišana telpas ārpusē) vai filtrēšanas (iekštelpu gaisa atjaunošana) nosūcējs.

Piezīme: šī ierīce netiek piegādāta ar cauruļvadu komplektu, vai ogles filtriem. Sīkāka informācija par šo daļu pasūtīšanu atrodama šīs rokasgrāmatas otrā pusē.

Sakarā ar iekārtas sarežģītību un svaru, uzstādīšanu ir ieteicams veikt speciālistiem.

Ražotājs atsakās no visas atbildības par bojājumiem, kurus ir izraisījusi nepareiza iekārtas uzstādīšana.

Lūdzu, izlasiet uzmanīgi šo rokasgrāmatu un saglabājiet to turpmākai izmantošanai.

DROŠĪBAS NORĀDĪJUMI

Nr.: 1. Uzmanieties, ja tvaika nosūcējs darbojas vienlaicīgi ar atvērtu kamīnu vai degli, kas ir atkarīgi no gaisa vidē. Tvaika nosūcējs nosūc gaisu vidē, kas deglim vai kamīnam ir nepieciešams dedzināšanai.

Negatīvais spiediens vidē nedrīkst pārsniegt 4Pa (4x10⁻⁵ bārus). Tvaika nosūcēja drošai darbībai nodrošiniet vidē atbilstošu ventilāciju. Ievērojiet vietējos likumus, kas piemērojami ārējai gaisa izvadīšanai.

Pirms modeļa pievienošanas elektriskajam tīklam pārskatiet datu plāksnīti (piestiprināta ierīces iekšpusē), lai apstiprinātu, vai spriegums un jauda atbilst tīklam un, vai ir pieejama piemērota kontaktligzda. Ja jums rodas šaubas, sazinieties ar kvalificētu elektriķi.

Ja strāvas padeves vads ir bojāts, tas jānomaina. To var iegādāties tieši pie ražotāja.

Šī ierīce ir jāsavieno ar apgādes tīklu, izmantojot vai nu spraudni ar drošinātāju 3A, vai pastāvīgu savienojumu ar 2 fāžu aizsargātu 3A drošinātāju.

Nr.: 2. **Brīdinājums!**

Noteiktos apstākļos elektroierīces var radīt bīstamu apdraudējumu.

A) Nepārbaudiet filtru stāvokli, ja tvaika nosūcējs darbojas.

B) Nepieskarieties spuldzēm vai blakus esošai zonai apgaismojuma darbības laikā vai uzreiz pēc tā ilgstošas lietošanas.

C) Zem tvaika nosūcēja ir aizliegts veikt flambēšanu.

D) Izvairieties no atklātas liesmas, jo tā sabojā filtrus un var izraisīt ugunsgrēku.

E) Neatstājiet bez uzraudzības ēdienu, tam cepoties, jo pārkarsusi eļļa var izraisīt ugunsgrēka risku.

F) Pirms jebkādu tehniskās apkopes darbu veikšanas atvienojiet elektrisko pieslēgumu.

G) Šī ierīce nav paredzēta lietošanai maziem bērniem vai nespējīgām personām bez uzraudzības.

H) Mazi bērni ir jāuzrauga, lai nodrošinātu, lai tie nerotātos ar ierīci.

I) Telpā ir jābūt atbilstošai ventilācijai, ja nosūcējs tiek izmantots tajā pašā laikā kā ierīces, kuras nav elektriskas, un kurās tiek izmantota gāze vai cits kurināmais materiāls.

L) Ja tīrīšana netiek veikta saskaņā ar instrukcijām, pastāv ugunsgrēka risks.

Šī ierīce atbilst Eiropas Direktīvai EK/2002/96, par elektrisko un elektronisko iekārtu atkritumiem (EEIA).

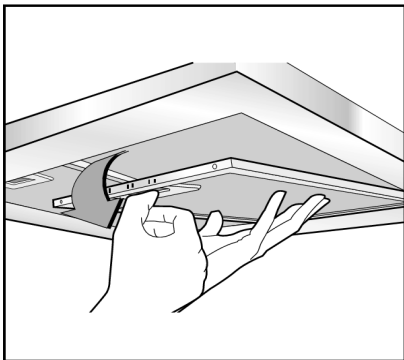
Šis simbols uz izstrādājuma vai pievienotajā dokumentācijā norāda, ka ierīci nedrīkst uzskatīt par sadzīves atkritumiem, bet tā ir jānogādā piemērotā elektrisko un elektronisko iekārtu savākšanas punktā.

Vecot utilizāciju, ievērojiet vietējās pamatnostādnes.

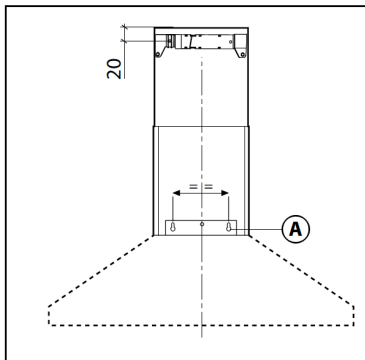
Lai saņemtu pilnu informāciju par šī izstrādājuma apstrādi, atkārtotu izmantošanu un pārstrādi, lūdz, sazinieties ar savu vietējo iestādi, sadzīves atkritumu savākšanas dienestu vai mazumtirgotāju, kur iekārta tika iegādāta.

UZSTĀDĪŠANAS INSTRUKCIJAS

- Montāža un elektriskie savienojumi jāveic specializētam personālam.
- Pirms turpināt uzstādīšanu, izmantojiet aizsargcimdus.
- Elektriskais pieslēgums:
 - Ierīce ir izgatavota kā II kategorijas, līdz ar to nav nepieciešams zemējuma kabelis. Pēc iekārtas uzstādīšanas jaudas punktam jābūt viegli pieejamam. Ja ierīce ir aprīkota ar strāvas vadu bez spraudņa, starp ierīci un elektroenerģijas piegādi atbilstoši slodzei un spēkā esošajiem tiesību aktiem jāuzstād atbilstošu izmēru omnipolārs slēdzis ar 3 mm minimālo atvērumu starp kontaktiem.
 - Pievienojums elektrotīklam tiek veikts šādi:
BRŪNA = L līnija
ZILA = N neitrāls.
- Ja sildvirsmā ir elektriskā, gāzes, vai indukcijas, minimālajam attālumam starp to un nosūcēja apakšējo daļu jābūt vismaz 65 cm. Ja tiek izmantota savienojuma caurule, kas sastāv no divām daļām, augšējā daļa ir jānovieto ārpus apakšējās daļas. Nepievienojiet tvaika nosūcēja izplūdi tam pašam cauruļvadam, kas tiek izmantots karstā gaisa cirkulēšanai vai izgarojumu izvadišanai no ierīcēm, kuru rada cits, nekā elektrības avots. Pirms turpināt ar montāžas darbībām, noņemiet prettauku filtru (-s) (1.att), lai varētu vieglāk apieties ar ierīci. - Ja ierīce ir paredzēta uzstādīšanai iesūkšanas versijā, sagatavojiet caurumu gaisa izvadišanai.

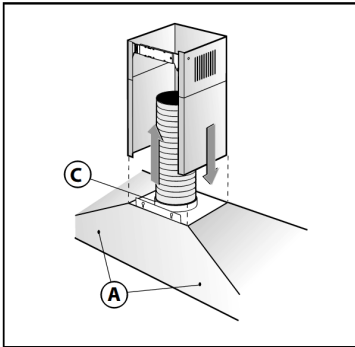


1. att.

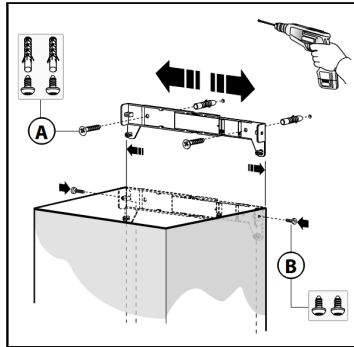


2. att.

- Mēs iesakām izmantot gaisa izplūdes cauruli, kurai ir tāds pats diametrs kā gaisa izplūdes atveres caurumam. Ja tiek izmantota caurule ar mazāku diametru, var tikt samazināta izstrādājuma efektivitāte un ierīce var kļūt skaļāka
- Ja jūsu ierīce, kura ir paredzēta izmantošanai mājokļos, tiek piegādāta ar centralizētu sūkšanas ierīci, jārikojas šādi:
 - Slēdzis kontrolē atvēršanas un slēgšanas vārstu, izmantojot termoelektrisko ierīci. Novietojot slēdzi stāvoklī ON (IESL.), pēc minūtes vārsts atveras, pagriežoties par 90°, ļaujot nosūkt sastāvējušos gaisu. Novietojot slēdzi stāvoklī OFF (IZSL.), vārsts aizveras pēc 100 sekundēm.
- Piestiprināšana pie sienas:
 - Urbiet caurumus, ievērojot norādītos (2. att.) attālumus.
 - Piestipriniet ierīci pie sienas un nolīmejojiet to horizontālā stāvoklī ar ierīcēm pie sienas. Kad ierīce ir noregulēta, nostipriniet nosūcēju pilnībā, izmantojot skrūves A (3.att.). Dažādām iekārtām izmantojiet skrūves un skrūvju enkurus, kuri ir piemēroti sienas veidam (piemēram, dzelzsbetons, reģipsis, u.c.).
 - Ja skrūves un skrūvju enkuri tiek iekļauti izstrādājuma komplektācijā, pārbaudiet, vai tie ir piemēroti sienas veidam, pie kuras nosūcējs tiek piestiprināts.



3. att.

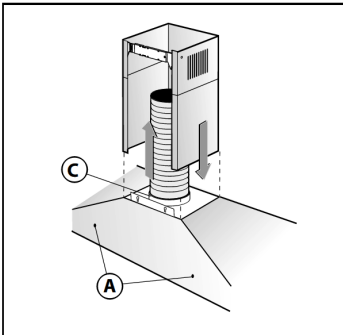


4. att.

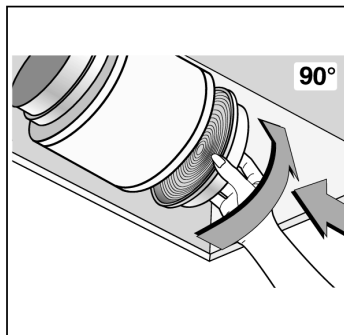
• Dekoratīvā teleskopiskā dūmvada nostiprināšana:

Piemērojiet elektroapgādi atbilstoši dekoratīvā dūmvada izmēriem. Ja jūsu ierīce ir jāuzstāda versijā ar cauruļvadiem vai versijā ar ārējo motoru, sagatavojiet gaisa izplūdes atveri. Pielāgojiet atbalsta kronšteina platumu augšējam dūmvadam (4.att.). Pēc tam piestipriniet to pie griestiem, izmantojot skrūves A (4.att.) tādā veidā, lai tas būtu vienā līnijā ar nosūcēju, un ievērojiet attālumu no griestiem, kā norādīts 2.att.

Pievienojiet atloku C pie gaisa izplūdes atveres, izmantojot pieslēguma cauruli (5.att.). Ievietojiet augšējo dūmvadu apakšējā dūmvadā un atbalstiet virs rāmja. Izvelciet augšējo dūmvadu līdz kronšteinam un nostipriniet to ar skrūvēm B (4.att.). Lai pārveidotu nosūcēju no cauruļvadu versijas filtrēšanas versijā, iegādājieties pie sava dīlera ogles filtrus un izpildiet uzstādīšanas instrukcijas.



5. att.



6.att.

• Filtrēšanas versija:

Uzstādiet nosūcēju un abus dūmvadus, kas aprakstīti punktā „Nosūcēja ar cauruļvadiem uzstādīšana”. Lai uzstādītu filtrēšanas dūmvadu, skatiet instrukcijas, kas ir iekļautas komplektā. Ja komplekts netiek piegādāts, pasūtiet to pie sava dīlera kā piederumu. Šie filtri ir jāpiemēro nosūcšanas ierīcei, kas novietota nosūcēja iekšpusē. Tiem jābūt centrētiem, pavēršot tos par 90 grādiem, līdz tiek sasniegta atdure (6.att.).

NOSŪCĒJA IZMANTOŠANA

Vadības ierīces



Indikators



– Nospiediet, lai ieslēgtu/izslēgtu gaismu

Ātrums - atlasiet ātrumu atbilstoši gatavošanas apstākļiem



Zems - Viegla cepšana/vārīšana. Nospiediet šo pogu, lai būtu zems ātrums, un nospiediet to vēlreiz, lai izslēgtu motoru.



Vidējs - Cepšana/Wok gatavošana/stipra vārīšana. Nospiediet šo pogu, lai būtu vidējs ātrums, un nospiediet to vēlreiz, lai izslēgtu motoru



Liels - Grilēšana, intensīva cepšana un wok gatavošana. Nospiediet šo pogu, lai būtu liels ātrums, un nospiediet to vēlreiz, lai izslēgtu motoru



Būsters - Nospiediet šo pogu, lai būtu vislielākais ātrums, un nospiediet to vēlreiz, lai izslēgtu motoru.

Būstera funkcija

Šim nosūcējam ir arī būstera funkcija. Lai aktivizētu būsteri, nospiediet pogu B, kamēr nosūcējs tiek izmantots, un tas palielina ātrumu 8 minūtes, pirms tas no jauna tiek palēnināts.

Pirms sākat gatavošanu, mēs iesakām ieslēgt nosūcēju uz pāris minūtēm, un ļaujiet tam darboties aptuveni 8 minūtes, lai nodrošinātu, ka visas smakas ir nosūktas.

Šo ierīci nedrīkst izmantot bērni vai personas ar fiziskiem, maņu vai garīgiem traucējumiem, vai ar nepietiekamu pieredzi un zināšanām, ja vien tie netiek atbilstoši uzraudzīti vai instruēti.

BRĪDINĀJUMS – Piekļuvei pakļautās daļas var sakarst, ja tās izmanto ar virtuves iekārtām. Lai apgaismotu gatavošanas zonu zem nosūcēja, nospiediet gaismas vadības pogu stāvoklī "on" ("iesl."). Lai izslēgtu, nospiediet to no jauna, lai atgrieztos stāvoklī "off" ("izsl.").

Lai nosūcēju darbinātu, nospiediet pogu vajadzīgajam ātrumam - atlasiet: **1** zems, **2** vidējs, vai **3** liels ātrums. Neona indikators iedegas, lai parādītu, ka ventilators darbojas. Lai izslēgtu, nospiediet pogu "off" ("izsl.").

APKOPE UN TĪRĪŠANA

Pirms tīrīšanas vai apkopes darbu veikšanas izslēdziet elektroapgādi.

LED lampiņu nomainīšana

Ja ierīces versija ir ar LED lampiņām, lai tās nomainītu, ir nepieciešama specializēta tehnika palīdzība.

Ārējais apvalks

Visas ārējā apvalka ārējās daļas var droši tīrīt ar tīru lupatiņu, kas tiek samitrināta karstā ziepjūdenī un izgriezta. Nelietojiet kodīgas pastas, abrazīvus tīrīšanas pulverus, stieplu kasikli, cietus darbarīkus, vai jebkādu produktus, kas satur hlorīdus, jo tie var sabojāt virsmas.

Grūti iztīrāmas atliekas var noņemt, izmantojot nerūsējošā tērauda tīrītāju. Lai saglabātu vienotu apdari, mēs iesakām iztīrīt visu nerūsējošā tērauda zonu.

Asi priekšmeti var saskrāpēt nerūsējošā tērauda virsmu, bet zīmes kļūst mazāk pamanāmas ar laiku.

Lai saglabātu nerūsējošā tērauda apdari, vai arī, lai noņemtu jebkādas taukainas zīmes, noslaukiet nerūsējošā tērauda virsmu saudzīgi ar minimālu bērnu eļļas daudzumu un virtuves papīru.

Nelietojiet cepamās eļļas, jo tās var saturēt sāli, kas var bojāt nerūsējošā tērauda virsmu.

Pirms tīrīšanas vai apkopes darbu veikšanas izslēdziet elektroapgādi.

Lai izvairītos no ugunsgrēka riska, ir jāievēro šādas tīrīšanas instrukcijas:

Tauku filtri

Tauku filtri absorbē taukus un putekļus no virtuves dūmvada, kas pretējā gadījumā bojā nosūcēja iekšpusi.

Tauku filtri jānomaina regulāri jātīra - normālos lietošanas apstākļos ik pēc 2 mēnešiem.

Lai tos tīrītu, izmantojiet siltu ziepjūdeni, vai mazgājiet tos trauku mazgājamā mašīnā. Tauku filtri var nedaudz mainīt krāsu pēc mazgāšanas, tomēr tas neietekmē to sniegumu.

Svarīgi: bieža mazgāšana ir būtiska, lai novērstu tauku uzkrāšanos filtros, kas varētu kļūt par ugunsgrēka apdraudējumu.

Nr.: 1. Izņemiet filtru no nosūcēja.

Nr.: 2. Rūpīgi mazgājiet tauku filtru ar karstu ziepjūdeni un nosusiniet to ar tīru dvieli.

Nr.: 3. Uztādiet no jauna tīros filtrus.

Ogles filtri (tikai modeļos, kuri ir uzstādīti lietošanai ar recirkulācijas metodi)

Ogles filtri absorbē gatavošanas smakas, un tos ir nepieciešams nomainīt aptuveni pēc 6 mēnešiem normālas lietošanas apstākļos. Rezerves ogles filtrus var iegādāties mūsu Klientu apkalpošanas dienestā (informācija rokasgrāmatas otrā pusē).

Aktivētās ogles piesātinājums filtrā ir atkarīgs no tā, cik bieži nosūcējs tiek lietots, virtuves veida un tauku filtra tīrīšanas regularitātes.

Ogles filtrus nevar mazgāt – nomainiet tos ik pēc 6 mēnešiem.

TEHNISKIE DATI

Elektroenerģijas piegāde

220 - 240V ~ 50Hz

Klasifikācija

I. klase

Trokšņu līmenis (ārējā atgaisošana)

Horizontāls nosūcējs

Būsters	72 dBA
Pozīcija 3	65 dBA
Pozīcija 1	52 dBA

Dūmvada nosūcējs

Būsters	72 dBA
Pozīcija 3	65 dBA
Pozīcija 1	52 dBA

Gaismas lampiņas

2 x 1,5W LED

Motora jauda

250W

Tauku filtri

3 Off (Izsl.) – alumīnija panelis

Piezīme: pēc tīrīšanas, tauku filtri var zaudēt nedaudz savu krāsu - tas neietekmē to sniegumu.

Ogles filtri

2 Off (Izsl.) - pieejams kā rezerves

Ekstrakcijas likme (ārējā)

Horizontāls nosūcējs

Būsters	805,8 m3/H
Pozīcija 3	605,7 m3/H
Pozīcija 1	280,0 m3/H

Dūmvada nosūcējs

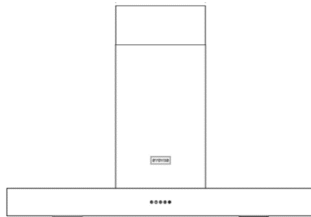
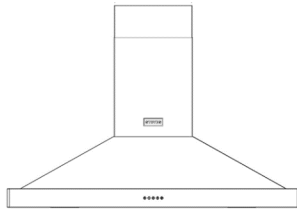
Būsters	805,8 m3/H
Pozīcija 3	605,7 m3/H
Pozīcija 1	280,0 m3/H

STOVES KLIENTU APKALPOŠANAS DIENESTS

Country	Contact Address	Contact details
France	Glen Dimplex France ZI petite Montagne Sud 12 rue des Cévennes - Lisses 91017 EVRY cedex FRANCE	Service Number: 01 69 11 11 85 Tel: 00 33 (0)1 69 11 11 91 Fax: 00 33 (0)1 60 86 28 37 direction@glendimplex-france.fr www.glendimplex-france.fr
Holland/ Belgium	Glen Dimplex Benelux B.V. Nederland/Le Pays Bas Saturnus 8 8448 CC Heerenveen Tel: +31 (0) 513-656500 Fax: +31 (0) 513-656501 www.stoves.nl België/Belgique Burgemeester Maenhoutstraat 64 9820 Merelbeke Tel: +32 (0)92100210 Fax: +32 (0)92100212 www.stoves.be	Productregistratie/ Registration de produit www.gdbservice.com Serviceaanvraag/ Demande de service www.stoves.nl / www.stoves.be zie banner 'service' homepagina voir la banniere 'service' sur notre page d'accueil
Germany/ Austria	ELESCO EUROPA GmbH Karl-Wiechert-Allee 74a D-30625 Hannover	Telefoon: +49-(0)511-5151 3360 Fax: +49 (0)511 5343 0910 info@elesco-europa.com www.vittoria5sterne.de
Poland	OPTIDATA Sp. z o. o., ul. Wielicka 50/5, 30-552 Kraków	+48 12 383 39 30 www.kuchniestoves.pl service.stoves@optidata.pl
Sweden	Lindström & Sondén AB Havsbadsvägen 1 26263 Ängelholm	Tele: 010-1011656 Email: info@lsbolagen.se
Republic of Ireland	Glen Dimplex Ireland, Airport Road, Cloghran, Co. Dublin	Service Telephone No.' (01) 8428222 Service and Spare Parts. serviceireland@glendimplex.com
Other	Glen Dimplex Home Appliances, Stoney Lane, Prescot, Merseyside, L35 2XW	Tel: 0844 815 3740

S T O V E S

STOVES



Stoves Viryklės gartraukis
Naudotojo vadovas

Turinys

Ižanga	2
Saugos įspėjimai	3
Surinkimo instrukcijos	4
Kaip naudotis gartraukiu	6
Priežiūra ir valymas	7
Techninė informacija	8
„Stoves“ klientų aptarnavimas	9

IŽANGA

Dėkojame, kad pirkote šį geros kokybės gartraukį iš „Stoves“.

Mūsų politika nuolat atnaujinama ir gerinama. Negarantuojame tikslių paveikslėlių ir specifikacijų. Publikavus gali reikėti modifikuoti dizainą ir medžiagas.

Prieš pradėdami naudotis prietaisu pirmą kartą, nuimkite pakuotę ir apsauginę polietileno plėvelę.

Šis prietaisas pagamintas taip, kad būtų galima naudotis ištraukiant orą (oro ištraukimas į išorę) arba filtruojant jį (vidinis oro perdirbimas).

Pastaba: šis įrenginys pateikiamas be ortakių rinkinio arba anglies filtrų. Išsami informacija, kaip užsakyti šias dalis, pateikta vadovo galinėje dalyje.

Dėl įrenginio kompleksškumo ir svorio rekomenduojama, kad prietaisą surinktų specialistas.

Gamintojas neprisiima atsakomybės už žalą, padarytą netinkamu naudojimu ar surenkant prietaisą.

Prašome atidžiai perskaityti šį vadovą ir turėti jį ateičiai.

SAUGOS ĮSPĖJIMAI

1. Būkite atidūs, kai gartraukis veikia šalia atviro židinio arba degiklių, kurie priklauso nuo oro aplinkoje.

Gartraukis ištraukia orą, kurio reikia degikliui arba židiniui.

Neigiamas spaudimas aplinkoje negali viršyti 4Pa (4 x 10 - 5 barų). Užtikrinkite tinkamą patalpos ventiliavimą, kad gartraukis galėtų veikti saugiai. Užtikrinkite, kad oro ištraukimas veikia taip, kaip nurodyta vietos teisės aktuose.

Prieš įjungdami aparatą į maitinimo lizdą, pažiūrėkite duomenų plokštelę (ji yra prietaiso viduje) ir užtikrinkite, kad elektros lizdo įtampa yra tinkama šiam prietaisui. Jei abejojate, pasikonsultuokite su kvalifikuotu elektriку.

Jei maitinimo kabelis pažeistas, jį privaloma pakeisti. Jį galima gauti tiesiai iš gamintojo. Prietaisas turi būti įjungtas į maitinimo lizdą 3A lydymo kištuku arba 2 fazės kabeliu, apsaugotu 3A saugikliu.

2. Įspėjimas!

Tam tikromis aplinkybėmis elektros prietaisai gali būti pavojingi.

A) Netikrinkite filtrų būklės, kai gartraukis veikia.

B) Nelieskite lempučių arba gretimų vietų, kol lemputės šviečia arba jas išjungus po ilgesnio naudojimo.

C) Draudžiama po gartraukiu maistą apipilti spiritu ir kepti uždegus jį.

D) Venkite atviros ugnies, nes ji gali pažeisti gartraukio dangtį.

E) Nepalikite neprižiūrimo gaminamo maisto, nes perkaitęs aliejus gali sukelti gaisrą.

F) Prieš atlikdami priežiūros darbus išjunkite iš elektro lizdo.

G) Šio prietaiso be priežiūros negali naudoti vaikai arba ligoti asmenys.

H) Reikia prižiūrėti mažus vaikus, kad jie nepradėtų žaisti su įrenginiu.

I) Kai gartraukis naudojamas tuo pačiu metu, kaip ir dujų ar kito kuro deginimo prietaisais ar kt. nei elektra, reikia užtikrinti tinkamą kambario ventiliaciją.

L) Jei įrenginys nevalomas, kaip nurodyta instrukcijose, atsiranda užsidedimo rizika.

Šis prietaisas atitinka Europos direktyvą EC/2002/96 „Dėl elektros ir elektroninės įrangos atliekų (WEEE).

Ant produkto arba jam priklausančių dokumentų esantis simbolis rodo, kad įrenginio negalima išmesti, kaip buitinių atliekų, jį reikia pristatyti į atitinkamą elektros ir elektronikos prietaisų perdirbimo ir surinkimo punktą.

Išmesdami įrenginį laikykitės vietos teisės aktų.

Norėdami gauti daugiau informacijos apie eksploatavimą, pakartotinį panaudojimą ir produkto perdirbimą, susisiekite su vietos valdžios institucijomis, buitinių atliekų surinkimo paslaugos teikėju arba pardavėju, pas kurį pirkote įrenginį.

SURINKIMO INSTRUKCIJOS

- Surinkimu ir elektros sujungimais turi pasirūpinti specializuotas personalas.

- Prieš pradėdami surinkti užsidėkite apsaugines pirštines.

- Elektros jungtis:

- Prietaisas turi būti pagamintas II klasės, todėl įžeminimo kabelis nereikalingas. Surinkus įrenginį turi būti lengvai pasiekiamas maitinimo lizdas. Jei prietaisas turi laidą be kištuko, reikia pritaikyti tinkamai parinktą polių jungiklį su mažiausiai 3 mm atsivėrimu tarp kontaktų, tarp įrenginio ir maitinimo lizdo, sutinkamai su įkrovos ir esamais reguliavimais.

- Jungiklis prie maitinimo turi būti prijungtas taip:

RUDA = L linija

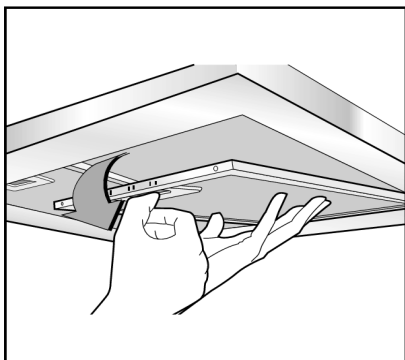
MĒLYNA = N neutrali.

- Jei viryklė elektrinė, dujinė arba indukcinė, minimali distancija tarp įrenginio apatinės dalies ir viryklės turi būti mažiausiai 65 cm. Jei jungiamasis vamzdis yra iš dviejų dalių, viršutinė turi būti dedama vidinės dalies išorėje.

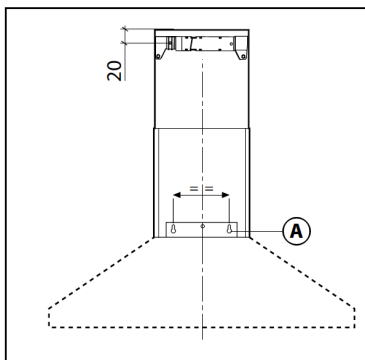
- Gartraukio ištraukimo vamzdžio nejunkite į tą patį laidininką, kuris naudojamas cirkuliuoti karštą orą arba išsiurbti dūmus iš kitų, ne elektrinių įrenginių.

Prieš pradėdami surinkti nuimkite filtrą (-us) nuo riebalų (1 pav.), kad būtų lengviau atlikti darbus.

- Prieš surinkdami prietaisą, kad jis gerai trauktų orą, paruoškite išsiurbimui skirtą skylę.



1 pav.



2 pav.

- Rekomenduojame naudoti oro išsiurbimo vamzdį tokio paties diametro, kaip ir oro išsiurbimo skylė. Jei naudojamas mažesnio diametro vamzdis, produktas gali veikti silpniau ir garsiau.

- Jei jūsų įrenginys skirtas naudoti patalpose, kuriose yra centrinio siurbimo įrenginys, atlikite toliau nurodytus veiksmus:

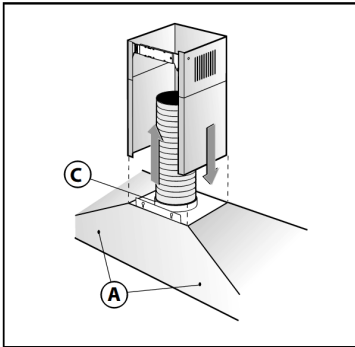
- Jungtis kontroliuoja vožtuvo atidarymą ir uždarymą, naudojant termoelektrinį įrenginį. Jei jungtis yra pozicijoje ON, po minutės vožtuvas atsidaro, pasisukdamas 90° kampu, leisdamas siurbti tvankų orą. Jungtį nustatčius OFF pozicijoje vožtuvas užsidarys po 100 sekundžių.

- Montavimas prie sienos:

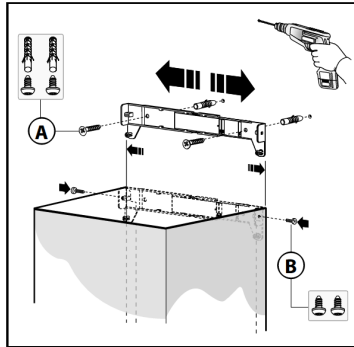
Išgręžkite skylės A, įvertindami nurodytas distancijas (2 pav.).

Užfiksuokite įrenginį ant sienos ir sulyginkite horizontaliai sienai. Kai įrenginys pritaikytas, būtinai užfiksuokite jį varžtais A (3 pav.). Priklausomai nuo sienos tipo (pvz., gelžbetonis, gipso kartonas ir t. t.), naudokite atitinkamus varžtus ir sraigtus.

Jei varžtai ir sraigtai pateikiami su produktu, patikrinkite, ar jie tinkama sienos, ant kurios bus fiksuojamas įrenginys, tipui.



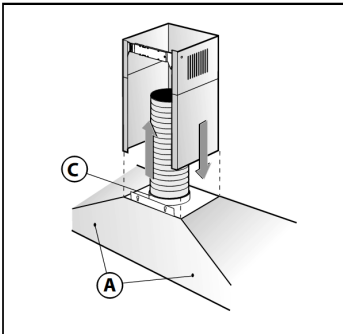
3 pav.



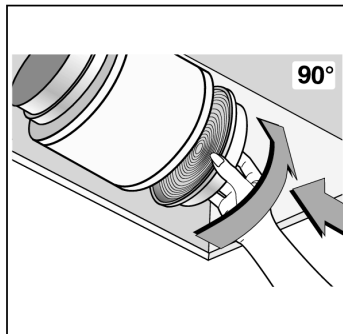
4 pav.

• Dekoratyvinio teleskopinio kamino fiksavimas:

Elektros maitinimo lizdas turi būti prie dekoratyvinio kamino. Jei jūsų įrenginys turi būti kanalinis arba su išoriniu varikliu, atidarykite oro trauką. Pritaikykite viršutinio kamino atraminio laikiklio plotį (4 pav.). Tuomet varžtais prisukite prie lubų A (4 pav.) taip, kad būtų vienoje linijoje su dangčiu ir atitinkama distancija nuo lubų, kaip nurodyta 2 pav. Prijunkite C jungę prieš oro išsiurbimo skylės, naudodamiesi jungimo vamzdžiu (5 pav.). Viršutinį kaminą įdėkite į apatinį virš rėmo. Ištraukite viršutinį kaminą iki kronšteino ir užfiksuokite su B varžtais (4 pav.). Norėdami pakeisti dangtį iš kanalo versijos į filtro versiją, kreipkitės į pardavėją dėl anglies filtrų ir laikykitės surinkimo instrukcijų.



5 pav.



6 pav.

• Filtravimo versija:

Uždėkite gartraukį ir du kaminus, kaip nurodyta kanalo versijos dangčio surinkimo paragrafe. Norėdami surinkti filtravimo kaminą, žiūrėkite rinkinyje esančias instrukcijas. Jei rinkinys nepateiktas, užsisakykite iš priedų pardavėjo. Filtrai turi būti dedami į siurbimo skyrių, esantį dangčio viduje. Jie turi būti centruoti, pasukus 90 laipsnių, kol užsikisuoja (6 pav.).

GARTRAUKIO NAUDOJIMAS

Valdymas



Lempa



– Depress to turn on/off light

Greitis – pasirinkite greitį, kuris atitiktų virimo intensyvumą



1 Silpnas - Lengvas kepimas ar virimas. Šį mygtuką spauskite, kai norite įjungti silpną trauką ir paspauskite jį, norėdami išjungti.



2 Vidutinis - Kepimas, WOK, virimas, kai verda aktyviai. Spauskite šį mygtuką, jei norite vidutinės traukos ir dar kartą paspauskite, norėdami išjungti.



3 Stiprus - Grilis, intensyvus kepimas, WOK virimas. Paspauskite šį mygtuką, kai norite didelės traukos ir spauskite dar kartą, norėdami išjungti.



B Stiprintuvas- Paspauskite mygtuką, norėdami įjungti didžiausią trauką ir vėl išjungti variklį.

Stiprintuvo funkcija

Šis gartraukis turi ir stiprintuvo funkciją. Norėdami jį aktyvuoti, paspauskite mygtuką B, kai veikia gartraukis. Trauka padidės 8 minutėms, tuomet vėl sumažės.

Gartraukį rekomenduojame įjungti kelios minutės prieš pradėdami virti, kai baigiate virti palikite dar 8 minutėms, kad visi kvapai būtų ištraukti.

Įrenginio negali naudoti vaikai, psichinę negalią turintys asmenys, taip pat psichiškai ir fiziškai jautrūs asmenys, patirties ar žinių neturintys asmenys, nebent jie prižiūrimi ar apmokomi.

ISPĖJIMAS - Prieinamos dalys gali būti karštos, kai naudojami virimo prietaisai. Norėdami apšviesti virimo vietą, esančią po gartraukių, paspauskite šviesos valdymo mygtuką į poziciją „On“. Norėdami išjungti, dar kartą paspauskite mygtuką į poziciją „Off“.

- Norėdami naudotis gartraukių, paspauskite reikiamos traukos mygtuką, pasirinkite: **1** silpnas, **2** vidutinis arba **3** stiprus. Užsidegs neonas šviesos lemputė, parodanti, kad prietaisas veikia. Norėdami išjungti, paspauskite mygtuką „Off“.

PRIEŽIŪRA IR VALYMAS

Prieš valydami įrenginį išjunkite jį iš maitinimo lizdo.

LED šviesų pakeitimas

Jei prietaisas turi LED lemputes, jas pakeisti gali tik specializuotas technikas.

Išorinis korpusas

Visos išorinio korpuso dalys gali būti saugiai valomos švaria šluose, pamirkyta karštame, muiluotame vandenyje. Nenaudokite kaustinių pastų, abrazyvinių valymo pudrų, vielinio valiklio, kietų priemonių arba kitų produktų, kuriuose yra chloro, nes tai pažeis paviršių.

Ženkliukus galima nuimti, naudojant valiklį, skirtą nerūdijančiam plieniui. Rekomenduojama valyti visą nerūdijančio plieno paviršių, kad valymas būtų baigtinis.

Aštrūs objektai gali pažeisti nerūdijančio plieno paviršių, tačiau einant laikui žymės gali būti mažiau pastebimos. Norėdami gerai prižiūrėti nerūdijantį plieną, pašalinti purvo žymas, paviršių valykite šluoste, ant kurios mažas kiekis vaikiško aliejaus, arba virtuviniu popieriu.

Nenaudokite aliejaus, skirto kepimui, nes jame gali būti druskos, kuri gali pažeisti nerūdijančio plieno paviršių. Prieš valydami ar prižiūradami išjunkite prietaisą iš maitinimo lizdo.

Norėdami išvengti gaisro rizikos, turite laikytis toliau nurodytą valymo instrukcijų:

Riebalų filtrai

Riebalų filtrai sugeria riebalus ir dulkes, kylančias su dūmais, kurios be filtrų galėtų pažeisti gartraukio vidų. Riebalų filtrai gali būti reguliariai nuimami ir valomi – įprastai naudojant įrenginį valyti reikėtų kas du mėnesius. Valykite šiltu, muiluotu vandeniu arba plaukite indaplovėje. Išplovus riebalų filtrai gali šiek tiek pakeisti spalvą, tačiau tai nepaveiks jų veikimo.

Svarbu: reikia dažnai plauti, kad būtų išvengta riebalų kaupimosi filtruose, kitu atveju kyla gaisro grėsmė.

1. Iš gartraukio išimkite filtrus.
2. Atsargiai išplaukite riebalų filtrus karštame, muiluotame vandenyje ir nusauskite švari rankšluosčiu.
3. Uždėkite švarius filtrus.

Anglies filtrai (tik modeliuose, skirtuose naudoti oro percirculiacijos metodu)

Anglies filtrai sugeria virimo kvapus, juos reikia atnaujinti maždaug po 6 mėnesių naudojimo. Naujus anglies filtrus galima nusipirkti iš mūsų Klientų priežiūros centro (išsami informacija gartraukio galinėje dalyje).

Aktyviosios anglies prisisotinimas filtre priklauso nuo to, kaip dažnai naudojamas gartraukis, virtuvės tipo ir filtro valymo reguliarumo.

Anglies filtrų negalima plauti, juos reikia keisti kas 6 mėnesius.

TECHNINĖ INFORMACIJA

Elektros tiekimas

220 – 240 V ~ 50 Hz

Klasifikacija

I klasė

Garso lygis (išorinis ventiliavimas)

Plokščias gartraukis

Stiprintuvas 72 dBA

3 pozicija 65 dBA

1 pozicija 52 dBA

Kamino tipo gartraukis

Stiprintuvas 72 dBA

3 pozicija 65 dBA

1 pozicija 52 dBA

Šviesos lemputės

2 x 1.5 W LED

Variklio vertinimas

250 W

Riebalų filtrai

3 išjungtas – aliuminio panelė

Pastaba: išvalius riebalų filtrai gali šiek tiek pakeisti spalvą, tai nekeičia jų veikimo.

Anglies filtrai

2 išjungtas – keičiami

Traukos reitingas (išorinis)

Plokščias gartraukis

Stiprintuvas 805.8 m³/H

3 pozicija 605.7 m³/H

1 pozicija 280.0 m³/H

Kamino tipo gartraukis

Stiprintuvas 805.8 m³/H

3 pozicija 605.7 m³/H

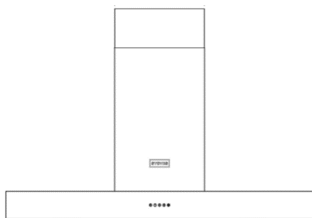
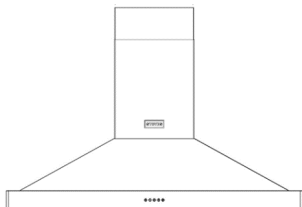
1 pozicija 280.0 m³/H

„STOVES“ KLIENTŲ APTARNAVIMAS

Country	Contact Address	Contact details
France	Glen Dimplex France Zl petite Montagne Sud 12 rue des Cévennes - Lisses 91017 EVRY cedex FRANCE	Service Number: 01 69 11 11 85 Tel: 00 33 (0)1 69 11 11 91 Fax: 00 33 (0)1 60 86 28 37 direction@glendimplex-france.fr www.glendimplex-france.fr
Holland/ Belgium	Glen Dimplex Benelux B.V. Nederland/Le Pays Bas Saturnus 8 8448 CC Heerenveen Tel: +31 (0) 513-656500 Fax: +31 (0) 513-656501 www.stoves.nl België/Belgique Burgemeester Maenhautstraat 64 9820 Merelbeke Tel: +32 (0)92100210 Fax: +32 (0)92100212 www.stoves.be	Productregistratie/ Registration de produit www.gdbservice.com Serviceaanvraag/ Demande de service www.stoves.nl / www.stoves.be zie banner 'service' homepagina voir la banniere 'service' sur notre page d'accueil
Germany/ Austria	ELESCO EUROPA GmbH Karl-Wiechert-Allee 74a D-30625 Hannover	Telefon: +49-(0)511-5151 3360 Fax: +49 (0)511 5343 0910 info@elesco-europa.com www.vittoria5sterne.de
Poland	OPTIDATA Sp. z o. o., ul. Wielicka 50/5, 30-552 Kraków	+48 12 383 39 30 www.kuchniestoves.pl service.stoves@optidata.pl
Sweden	Lindström & Sondén AB Havsbadvägen 1 26263 Ängelholm	Tele: 010-1011656 Email: info@lsbolagen.se
Republic of Ireland	Glen Dimplex Ireland, Airport Road, Cloghran, Co. Dublin	Service Telephone No.' (01) 8428222 Service and Spare Parts. serviceireland@glendimplex.com
Other	Glen Dimplex Home Appliances, Stoney Lane, Prescot, Merseyside, L35 2XW	Tel: 0844 815 3740

S T O V E S

STOVES



Stoves kjøkkenvifte
Bruksanvisning

Innhold

Innledning	2
Sikkerhetsanvisninger	3
Monteringsanvisninger	4
Bruk av kjøkkenviften	6
Rengjøring og vedlikehold	7
Tekniske spesifikasjoner	8
Stoves kundeservice	9

Innledning

Takk for at du valgte denne høykvalitets kjøkkenviften fra Stoves.

Vi har som mål å utvikle og forbedre produktene våre på konstant basis. Illustrasjoner og spesifikasjoner kan avvike noe fra ditt produkt. Det kan være nødvendig med modifikasjoner av design og materialer etter publisering av bruksanvisningen.

Før du bruker apparatet for første gang, må all emballasje og beskyttende polyetenfolie fjernes.

Dette apparatet er beregnet for bruk for avtrekk (luftavtrekk til utsiden) eller filtrering (luften resirkuleres).

Merk: Dette apparatet leveres ikke med luftkanal eller kullfilter. Informasjon for bestilling av dette finnes på baksiden av håndboken.

På grunn av kompleksiteten og vekten av apparatet, anbefales det at den monteres av fagfolk.

Produsenten fraskriver seg ethvert ansvar for skader som er forårsaket av feil montering.

Les nøye gjennom denne bruksanvisningen før bruk, og ta vare på den for fremtidig referanse.

SIKKERHETSANVISNINGER

1. Vær forsiktig når kjøkkenviften brukes der det finnes åpen ild eller brukes brennere som er avhengig av omgivelsesluften. Kjøkkenviften fjerner luft fra omgivelsene som brennere eller andre kilder til ild trenger for å brenne.

Det negative trykket i omgivelsene må ikke overstige 4Pa (4x10⁻⁵ bar). Sørg for tilstrekkelig ventilasjon i rommet for en sikker bruk av kjøkkenviften. Overhold alle gjeldende lokale forskrifter som omfatter utvendig avtrekk.

Før kjøkkenviften kobles til strømnettet, må du sjekke typeskiltet (plassert innvendig i kjøkkenviften) for å sjekke at spenning og frekvens samsvarer med strømnettet. Du må også sjekke at støpselet passer i stikkkontakten. Kontakt elektriker dersom du er i tvil.

Hvis strømledningen er skadet, må den skiftes. Denne kan bestilles direkte fra produsenten.

Kjøkkenviften må kobles til strømnettet via en stikkontakt på en 3A kurs, eller fastkablet til en tofaset forgrening med en sikring på 3A.

2. Advarsel!

Under gitt forhold kan elektriske apparater utgjøre en fare.

- A) Ikke sjekk filtrene mens kjøkkenviften er i gang.
- B) Ikke berør pærer eller tilstøtende områder under eller rett etter lengre bruk av belysningen.
- C) Flambering er forbudt å gjøre under ventilatoren.
- D) Unngå åpne flammer, da dette kan skade filtrene og være direkte brannfarlig.
- E) Ikke la maten stå til steking uten tilsyn, da overopphetet olje kan ta fyr.
- F) Trekk ut stikkkontakten før det utføres vedlikehold.
- G) Dette apparatet må ikke brukes av barn eller uføre uten tilsyn.
- H) Barn må føres tilsyn med for å sikre at de ikke leker med apparatet.
- I) Det må sørges for tilstrekkelig ventilasjon i rommet når kjøkkenviften brukes samtidig som apparater som brenner gass eller andre former for brensel.
- L) Dersom apparatet ikke rengjøres i samsvar med bruksanvisningen, kan det være fare for brann.

Dette apparatet samsvarer med EU-direktiv EF/2002/96 om kasserte elektriske og elektroniske produkter (WEEE).

Symbolet på produktet eller på medfølgende dokumentasjon indikerer at apparatet ikke må behandles som husholdningsavfall, men skal leveres til et innsamlingspunkt for elektrisk og elektronisk avfall.

Følg lokale forskrifter for avhending av avfall.

For mer informasjon om behandling, gjenvinning og resirkulering av dette produktet, ta kontakt med lokale myndigheter, avfallsstasjoner, eller forhandleren der apparatet ble kjøpt.

MONTERING

- Montering og kobling må gjøres av fagfolk.

- Bruk arbeidshansker ved montering.

- Elektrisk tilkobling:

- Apparatet er produsert i henhold til klasse II, og således er jordkabel ikke nødvendig. Det elektriske uttaket må være lett tilgjengelig etter at apparatet er montert. Hvis strømledningen på apparatet ikke er utstyrt med støpsel, må det kobles en egnet dimensjonert omnipolar bryter med en minsteavstand på 3 mm mellom bryterkontaktene, mellom apparatet og det elektriske uttaket i samsvar med lasten og gjeldende forskrifter.

- Tilkoblingen til strømmettet er som følger:

BRUN = L faseleder

BLÅ = N nøytralleder

- Hvis komfyren er elektrisk, gassdrevet, eller induksjon, må avstanden mellom komfyren og den nedre delen av kjøkkenviften være minst 65 cm. Hvis det skal brukes to kanaler som skal skjøtes, må den øvre delen monteres utenpå den nedre delen.

Avtrekket på kjøkkenviften må ikke kobles til den samme kanalen som brukes til å sirkulere varm luft, eller som brukes til avtrekk for røyk fra andre apparater.

Før monteringen må fettfilteret tas ut (figur 1) slik at kjøkkenviften er lettere å håndtere.

- Ved montering av kjøkkenvifte med utvendig avtrekk, må åpningen for avtrekket gjøres klart.

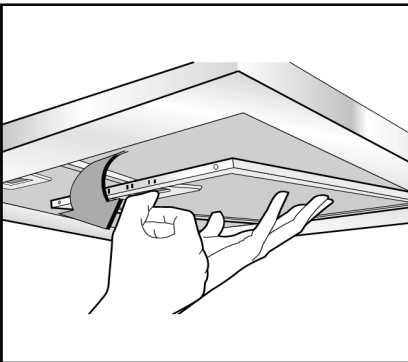


Fig. 1

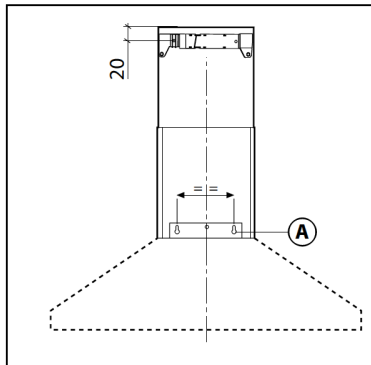


Fig. 2

- Vi anbefaler å bruke en luftkanal med samme diameter som åpningen for avtrekket. Dersom det brukes kanal med mindre diameter kan det gå utover ytelsen til kjøkkenviften, og den kan avgi mer støy enn normalt.

- Hvis kjøkkenviften er laget for bruk i hus med sentralavtrekk, gjør følgende:

- En bryter styrer åpning og stenging av en ventil ved hjelp av en termo-elektrisk anordning. Ved å sette bryteren til ON, åpnes ventilen etter 1 minutt ved å rotere 90°, slik at det kan suges ut dårlig luft. Ved å sette bryteren til OFF, stenges ventilen etter 100 sekunder.

- Montering på vegg:

Bor ut hullene som vist i figur 2, A med riktig avstand.

Monter kjøkkenviften på vegg og innrett den horisontalt i henhold til kjøkkenskapene. Når kjøkkenviften står i ønsket posisjon, kan den festes til vegg med skruene (A, fig.3). Bruk skruer og veggplugg i henhold til typen vegg kjøkkenviften monteres på (f.eks. armert betong, gips, etc.).

Hvis skruer og plugg leveres sammen med produktet, sjekk at de er egnet for den typen vegg kjøkkenviften skal monteres på.

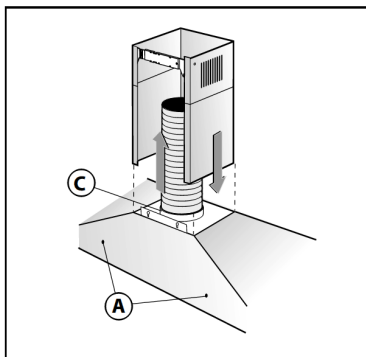


Fig. 3

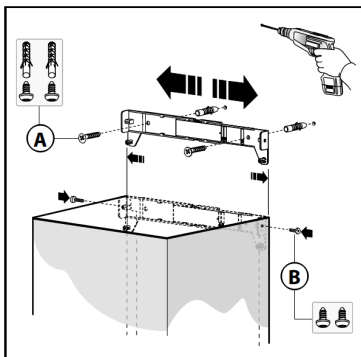


Fig. 4

• Montering av teleskopisk deksel på avtrekkskanal:

Stikkontakten bør være innenfor dekselet. Hvis kjøkkenviften skal monteres med utvendig avtrekk eller med sentralavtrekk, må åpningen for avtrekket gjøres klar. Juster bredden på braketten for det øvre dekselet (fig. 4). Fest deretter braketten med skruene (A, fig.4) slik at den er på linje med kjøkkenviften. Ta hensyn til avstanden fra taket som vist i fig. 2.

Sett flensen C på avtrekket og deretter kanalen (fig. 5). Sett det øvre dekselet på det nedre dekselet. Trekk det øvre dekselet opp til braketten og fest det med skruene (B, fig. 4). For å gjøre kjøkkenviften om fra bruk av avtrekk til bruk av filter, må du kjøpe et kullfilter hos forhandleren og følge monteringsanvisningene.

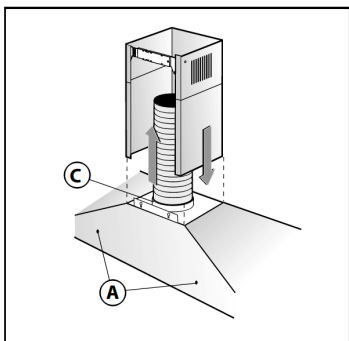


Fig. 5

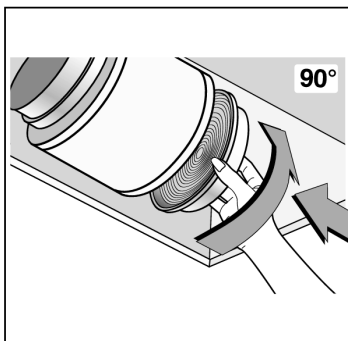


Fig. 6

• Versjon med filter:

Monter kjøkkenviften og de to dekslene som beskrevet under montering av versjon med avtrekk. For montering av filteret, se anvisningene som følger med. Hvis settet ikke følger med, kan det bestilles fra forhandler som ekstrautstyr. Filtrene må settes inn innvendig i kjøkkenviften. Filtrene festes ved å dreie dem 90 grader til slik at de klikker på plass i haken (fig. 6).

BRUK AV KJØKKENVIFTEN

Knapper



Lampe



– Trykk for å slå på/av lyset

Hastighet –valg hastighet på viften



1 Lav - For lett steking/koking. Trykk på knappen for å la viften gå ved lav hastighet. Trykk en gang til for å slå av viften.



2 Middels - Steking/wokking/kraftig koking. Trykk på knappen for å la viften gå ved middels hastighet. Trykk en gang til for å slå av viften.



3 Høy - Grilling, intensiv steking og wokking. Trykk på knappen for å la viften gå ved høy hastighet. Trykk en gang til for å slå av viften.



B Booster - Trykk på knappen for å la viften gå ved høyeste hastighet. Trykk en gang til for å slå av viften.

Booster-funksjon

Denne kjøkkenviften har en booster-funksjon. For å starte booster-funksjonen, trykk på B-knappen når viften er i gang. Hastigheten vil økes i 8 minutter, og deretter gå ned igjen.

Vi anbefaler at kjøkkenviften startes noen minutter før du begynner med matlagingen, og deretter lar den gå ca. 8 minutter etter matlagingen er ferdig. Dette er for å sikre at all lukt fjernes fra systemet.

Apparatet er ikke beregnet for bruk av barn eller personer med redusert fysisk eller psykisk helse, eller som mangler erfaring eller kunnskaper om bruken, dersom de ikke er gitt innføring eller instruksjoner om hvordan apparatet skal brukes.

ADVARSEL - Enkelte deler kan bli varme når de brukes sammen med kokeapparater. For belysning av komfyren, trykk på knappen med lampesymbolet. Trykk den igjen for å slå av lyset.

For å starte viften, trykk knappen for ønsket hastighet: **1** lav, **2** middels, eller **3** høy hastighet. Neonlyset vil lyse for å indikere at viften er i gang. Trykk på knappen igjen for å slå den av.

RENGJØRING OG VEDLIKEHOLD

Før rengjøring eller vedlikehold, må støpselet kobles fra stikkontakten.

Skifte LED-pærer

Hvis kjøkkenviften er utstyrt med LED-lamper, må LED-pærer skiftes av en tekniker.

Ytre deler

Alle de ytre delene kan trygt rengjøres med en ren klut vridd opp i varmt såpevann.

Ikke bruk etsende midler, skurepulver, stålull, harde redskaper, eller produkter som inneholder klorider, da dette vil skade overflaten på kjøkkenviften.

Vanskelige flekker kan fjernes med et rengjøringsmiddel for rustfritt stål. Vi anbefaler at du rengjør alle flater i rustfritt stål samtidig, for å opprettholde en jevn finish.

Skarpe gjenstander kan lage merker på overflater i rustfritt stål, men slike merker blir mindre synlige med tiden. For å opprettholde finishen på rustfritt stål, eller for å fjerne fettmerker, tørk av overflaten med litt babyolje og kjøkkenpapir.

Ikke bruk matolje, da disse kan inneholde salt som kan skade overflater i rustfritt stål.

Før rengjøring eller vedlikehold, må støpselet kobles fra stikkontakten.

For å unngå brannfare, må følgende rengjøringsanvisninger følges:

Fettfiltre

Fettfiltrene absorberer fett og partikler fra stekeosen, som ellers ville kunne skade kjøkkenviften innvendig.

Fettfiltrene bør tas ut og rengjøres regelmessig - med normal bruk bør det gjøres annenhver måned.

Bruk varmt såpevann eller vask filtrene i oppvaskmaskin. Fargen på fettfiltrene kan endres noe etter rengjøring, men dette påvirker ikke filtreringsevnen.

Viktig: Hyppig rengjøring av fettfiltrene er avgjørende for å hindre at det samler seg opp fett i dem, og dermed komme til å utgjøre en brannfare.

1. Ta filtrene ut av kjøkkenviften.
2. Rengjør fettfiltrene i varmt såpevann og tørk av med et rent håndkle.
3. Sett på plass de rene filtrene.

Kullfiltre (kun for modeller med resirkulering av luft)

Kullfiltrene absorberer matlukt og må skiftes etter ca. 6 måneder med normal bruk. Nye kullfiltre kan bestilles via vår kundeservice (informasjon på baksiden av håndboken).

Metningen av det aktive kullet i filteret vil avhenge av hvor ofte kjøkkenviften brukes, type kjøkken og hvor ofte fettfilteret rengjøres.

Kullfiltre kan ikke vaskes, de må skiftes hver 6. måned.

TEKNISKE SPESIFIKASJONER

Elektrisk tilkobling

220 - 240V ~ 50Hz

Klassifisering

Klasse I

Støynivå (utvendig avtrekk)

Flat kjøkkenvifte

Booster	72 dBA
Posisjon 3	65 dBA
Posisjon 1	52 dBA

Kjøkkenvifte med avtrekkskanal

Booster	72 dBA
Posisjon 3	65 dBA
Posisjon 1	52 dBA

Lyspærer

2 x 1,5W LED

Motoreffekt

250W

Fettfiltre

3 - aluminiumspanel

Merk: Etter rengjøring kan fettfiltrene endres noe i fargen - dette vil imidlertid ikke påvirke filtreringsevnen.

Kullfiltre

2 - tilgjengelig som ekstrautstyr

Avtrekkseffekt (ekstern)

Flat kjøkkenvifte

Booster	805,8 m3/H
Posisjon 3	605,7 m3/H
Posisjon 1	280,0 m3/H

Kjøkkenvifte med avtrekkskanal

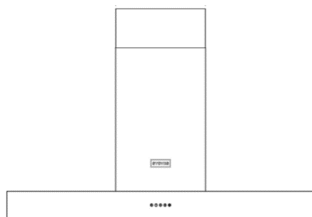
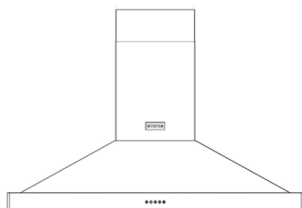
Booster	805,8 m3/H
Posisjon 3	605,7 m3/H
Posisjon 1	280,0 m3/H

STOVES KUNDESERVICE

Country	Contact Address	Contact details
France	Glen Dimplex France ZI petite Montagne Sud 12 rue des Cévennes - Lisses 91017 EVRY cedex FRANCE	Service Number: 01 69 11 11 85 Tel: 00 33 (0)1 69 11 11 91 Fax: 00 33 (0)1 60 86 28 37 direction@glendimplex-france.fr www.glendimplex-france.fr
Holland/ Belgium	Glen Dimplex Benelux B.V. Nederland/Le Pays Bas Saturnus 8 8448 CC Heerenveen Tel: +31 (0) 513-656500 Fax: +31 (0) 513-656501 www.stoves.nl België/Belgique Burgemeester Maenhautstraat 64 9820 Merelbeke Tel: +32 (0)92100210 Fax: +32 (0)92100212 www.stoves.be	Productregistratie/ Registration de produit www.gdbservice.com Serviceaanvraag/ Demande de service www.stoves.nl / www.stoves.be zie banner 'service' homepagina voir la bannière 'service' sur notre page d'accueil
Germany/ Austria	ELESCO EUROPA GmbH Karl-Wiechert-Allee 74a D-30625 Hannover	Telefon: +49-(0)511-5151 3360 Fax: +49 (0)511 5343 0910 info@elesco-europa.com www.vittoria5sterne.de
Poland	OPTIDATA Sp. z o. o., ul. Wielicka 50/5, 30-552 Kraków	+48 12 383 39 30 www.kuchniestoves.pl service.stoves@optidata.pl
Sweden	Lindström & Sondén AB Havsbadsvägen 1 26263 Ängelholm	Tele: 010-1011656 Email: info@lsbolagen.se
Republic of Ireland	Glen Dimplex Ireland, Airport Road, Cloghran, Co. Dublin	Service Telephone No.' (01) 8428222 Service and Spare Parts. serviceireland@glendimplex.com
Other	Glen Dimplex Home Appliances, Stoney Lane, Prescott, Merseyside, L35 2XW	Tel: 0844 815 3740

S T O V E S

STOVES



Okap kuchenny Stoves
Instrukcja użytkownika

Spis treści

Wstęp	2
Środki ostrożności	3
Instrukcja montażu	4
Obsługa okapu	6
Pielęgnacja i czyszczenie	7
Dane techniczne	8
Centrum Obsługi Klienta Stoves	9

Wstęp

Dziękujemy za zakup wysokiej jakości okapu firmy Stoves.

Jednym z elementów naszej polityki jest stały rozwój i ulepszanie jakości naszych sprzętów. Nie możemy zatem zagwarantować ścisłej zgodności ilustracji oraz specyfikacji z faktycznym stanem urządzenia ze względu na stale wprowadzane modyfikacje wprowadzone po publikacji niniejszej instrukcji.

Przed pierwszym użyciem urządzenia należy usunąć wszystkie elementy opakowania oraz zabezpieczającą folię polietylenową.

Niniejsze urządzenie zostało zaprojektowane do użytku jako okap (odprowadzanie powietrza na zewnątrz) lub pochłaniacz (wewnętrzna recykulacja powietrza).

Uwaga: Do urządzenia nie jest dostarczany zestawem rur odprowadzających lub filtrówwęglowych. Szczegóły dotyczące zamawiania tych części znajdują się na końcu tego podręcznika.

Ze względu na złożoność i wagę urządzenia, zalecane jest wykonywanie montażu przez specjalistyczny personel.

Producent nie ponosi żadnej odpowiedzialności za uszkodzenia powstałe wskutek niewłaściwego montażu. Należy dokładnie zapoznać się z niniejszą instrukcją i zachować ją do późniejszego wglądu.

ŚRODKI OSTROŻNOŚCI

1. Należy zachować ostrożność podczas używania okapu jednocześnie z otwartym kominkiem lub palnikami, których działanie jest uzależnione od powietrza w pomieszczeniu. Okap odprowadza z pomieszczenia powietrze, które palnik lub kominek potrzebują do przeprowadzania spalania.

Podciśnienie w pomieszczeniu nie może przekroczyć 4 Pa (4x10⁻⁵ bar). Należy zapewnić odpowiednią wentylację pomieszczenia umożliwiającą bezpieczną pracę okapu. Należy postępować zgodnie z lokalnym prawem dotyczącym odprowadzania powietrza na zewnątrz.

Przed podłączeniem danego modelu do sieci elektrycznej należy zapoznać się z tabliczką znamionową (umieszczoną w urządzeniu), aby upewnić się, że napięcie i moc są zgodne z charakterystyką sieci, a gniazdko jest odpowiednie. W razie wątpliwości, należy skontaktować się z wykwalifikowanym elektrykiem.

Jeśli kabel zasilający jest uszkodzony, należy go wymienić. Można go uzyskać bezpośrednio od producenta.

Urządzenie musi być podłączone do sieci zasilającej przez wtyk z bezpiecznikiem 3 A lub bezpośrednio do linii 2-przewodowej z bezpiecznikiem 3 A.

2. Ostrzeżenie!

W określonych okolicznościach urządzenie może stwarzać zagrożenie.

A) Należy nie sprawdzać stanu filtrów podczas pracy okapu.

B) Nie należy dotykać żarówek oraz otaczających je części elementów podczas używania oświetlenia lub bezpośrednio po jego dłuższym działaniu.

C) Flambirowanie pod okapem jest zabronione.

D) Należy unikać wolnego ognia, ponieważ uszkadza on filtry i powoduje zagrożenie pożarowe.

E) Należy stale kontrolować przygotowywane potrawy, ponieważ przegrzany olej może spowodować pożar.

F) Należy odłączyć urządzenie od zasilania elektrycznego przed rozpoczęciem konserwacji.

G) Urządzenie nie jest przeznaczone do używania bez nadzoru przez dzieci lub osoby niedołążne.

H) Należy nadzorować dzieci, aby nie bawiły się urządzeniem.

I) Należy zapewnić odpowiednią wentylację pomieszczenia, gdy okap używany jest jednocześnie z urządzeniami spalającymi gaz lub inne paliwa.

L) Istnieje ryzyko pożaru, jeśli czyszczenie nie jest wykonywane zgodnie z instrukcjami.

Niniejsze urządzenie spełnia wymogi europejskiej dyrektywy 2002/96/WE oraz dyrektywy w sprawie zużytego sprzętu elektrycznego i elektronicznego (WEEE).

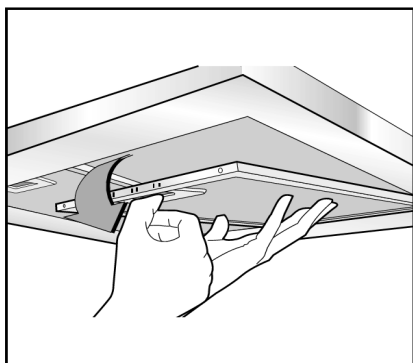
Symbol umieszczony na produkcie lub na jego dokumentacji wskazuje, że urządzenie nie powinno być traktowane jako odpad komunalny, lecz powinien być przekazany do odpowiedniego punktu zbiórki i recyklingu urządzeń elektrycznych i elektronicznych.

Postępować zgodnie z lokalnymi wytycznymi dotyczącymi usuwania odpadów.

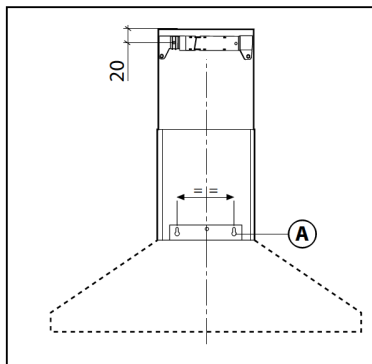
Dla uzyskania dodatkowych informacji na temat przetwarzania, ponownego użycia i recyklingu tego produktu, należy skontaktować się z władzami lokalnymi, firmą zbierającą odpady komunalne lub ze sklepem, w którym produkt został zakupiony.

INSTRUKCJA MONTAŻU

- Montaż i podłączenia elektryczne muszą być wykonywane przez wyspecjalizowany personel.
- Przed rozpoczęciem montażu należy założyć rękawice ochronne.
- Podłączenie elektryczne:
 - Urządzenie skonstruowano zgodnie z klasą II, zatem nie jest konieczny kabel uziemiający. Punkt podłączenia do zasilania musi być łatwo dostępny po montażu urządzenia. Jeżeli urządzenie jest wyposażone w przewód zasilający bez wtyku, między urządzeniem a siecią należy umieścić wyłącznik wielobiegunowy ze stykami w odległości przynajmniej 3 mm, przystosowany do obciążenia i zgodny z obowiązującymi normami.
 - Podłączenie do sieci zasilającej powinno być przeprowadzone następująco:
BRAZOWY = przewód fazowy (L)
NIEBIESKI = przewód neutralny (N).
- W przypadku stosowania płyty elektrycznej, gazowej lub indukcyjnej, minimalna odległość pomiędzy płytą a dolną częścią okapu musi wynosić co najmniej 65 cm. Przy zastosowaniu rury łączącej składającej się z dwóch części, część górna musi być umieszczona na zewnątrz części dolnej.
Nie należy podłączać rury wyciągowej okapu do rury używanej do cyrkulacji ciepłego powietrza lub odprowadzania oparów z innych urządzeń nielektrycznych.
Przed rozpoczęciem montażu należy usunąć filtry przeciwłuszczowe (Rys. 1), aby ułatwić manipulowanie urządzeniem.
- W przypadku montażu urządzenia w wersji ssącej, przygotować otwór odprowadzenia powietrza.



Rys. 1



Rys. 2

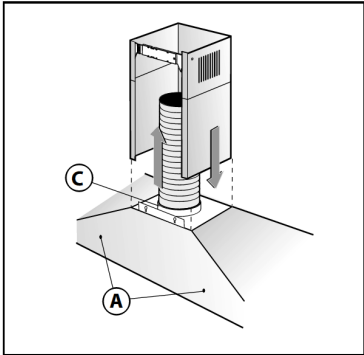
- Zalecamy używanie rury odprowadzania powietrza o tej samej średnicy co otwór wylotowy. W przypadku użycia rury o mniejszej średnicy, wydajność produktu może być ograniczona, a jego działanie może być głośniejsze.
- Jeśli urządzenie zostało zaprojektowane do użytku w budynkach z centralnym systemem odciągowym, należy wykonać poniższe czynności:
 - Przelącznik steruje otwieraniem i zamykaniem zaworu poprzez urządzenie termoelektryczne. Ustawiając przelącznik w pozycji ON (wł.), po upływie jednej minuty, zawór się otworzy obracając się o 90° umożliwiając w ten sposób zasysanie zanieczyszczonego powietrza. Ustawiając przelącznik w pozycji OFF (wył.), zawór zamyka się po 100 sekundach.

- **Mocowanie do ściany:**

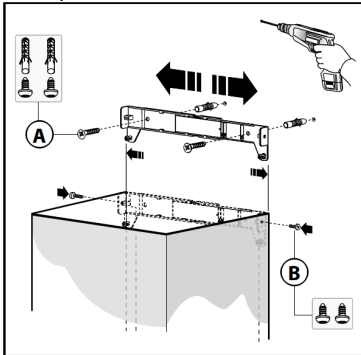
Wywiercić otwory A zgodnie z odległościami wskazanymi na rysunku (Rys. 2).

Przymocować urządzenie do ściany i wyrównać je w poziomie względem szafek meblowych. Po zakończeniu regulacji ostatecznie przymocować okap za pomocą śrub A (Rys. 4). Użyć śrub i kołków rozporowych odpowiednich do typu ściany (np. wzmacniany beton, płyty kartonowo-gipsowe itd.)

Jeśli śruby i kołki rozporowe zostały dostarczone z produktem, należy sprawdzić, czy są one odpowiednie do typu ściany, na której okap ma zostać zamontowany.



Rys. 3

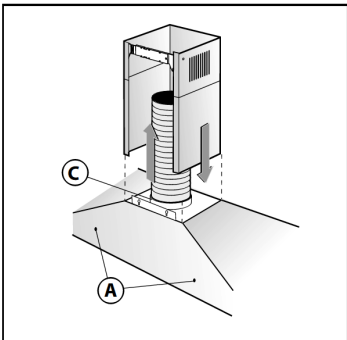


Rys. 4

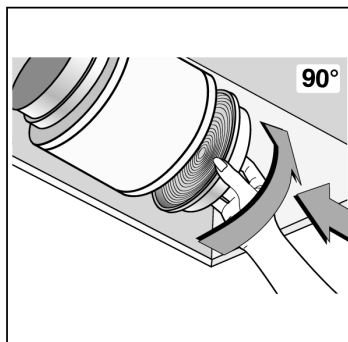
- **Mocowanie ozdobnego kominia teleskopowego:**

Umieścić zasilanie elektryczne w obszarze wymiarów kominia ozdobnego. Jeśli urządzenie ma być zamontowane w wersji wyciągowej lub w wersji z silnikiem zewnętrznym, należy przygotować otwór wylotowy powietrza. Wyregulować szerokość wspornika mocującego górnej części kominia (Rys. 4). Następnie zamocować go przy suficie za pomocą śrub A (Rys. 4) w taki sposób, aby znajdował się w jednej linii z okapem i zgodnie z odległością od sufitu wskazaną na Rys. 2.

Połączyć kołnierz C z otworem wylotowym powietrza za pomocą rury łączącej (Rys. 5). Włożyć górną część kominia do dolnej części i umieścić nad ramą. Wysunąć górną część kominia w kierunku wspornika i zamocować ją za pomocą śrub B (Rys. 4). Aby przekształcić okap z wersji wyciągowej do wersji filtrującej, należy uzyskać od sprzedawcy filtry z węgla aktywnego i postępować zgodnie z instrukcjami montażu.



Rys. 5



Rys. 6

- **Wersja filtrująca:**

Zamontować okap i dwie części kominia zgodnie z opisem w akapicie dotyczącym montażu okapu w wersji wyciągowej. Aby zamontować komin do wersji filtrującej, należy postępować zgodnie z instrukcjami dostarczonymi z zestawem. Jeśli zestaw nie został dostarczony, można go zamówić u sprzedawcy jako akcesorium. Filtry stosuje się do jednostki ssącej umieszczonej w okapie. Należy je wyśrodkować obracając o 90 stopni, aż do zadziałania blokady (Rys. 6).

OBSŁUGA OKAPU

Przyciski



Lampka



– Nacisnąć, aby włączyć/wyłączyć oświetlenie

Prędkość – wybór prędkości odpowiedniej do sposobu gotowania



Niska - Delikatne smażenie/gotowanie. Nacisnąć, aby włączyć tryb niskiej prędkości i ponownie nacisnąć, aby wyłączyć silnik.



Średnia - Smażenie/gotowanie w woku/gotowanie we wrzątku. Nacisnąć, aby włączyć tryb średniej prędkości i ponownie nacisnąć, aby wyłączyć silnik.



Wysoka - Grilowanie, intensywne smażenie i gotowanie w woku. Nacisnąć, aby włączyć tryb wysokiej prędkości i ponownie nacisnąć, aby wyłączyć silnik.



Booster - Nacisnąć, aby włączyć wzmocnienie (booster) i ponownie nacisnąć, aby wyłączyć silnik.

Funkcja Booster

Okap posiada również funkcję Booster. W celu jej aktywacji należy nacisnąć przycisk B podczas używania okapu. Prędkość zostanie zwiększona na 8 minut, a następnie powróci do poprzedniego stanu. Zalecamy włączenie okapu na kilka minut przed rozpoczęciem gotowania, a następnie pozostawienie w trybie pracy przez około 8 minut po gotowaniu, aby zapewnić całkowite znielowanie zapachów. Urządzenie nie może być używane przez dzieci oraz osoby o ograniczonej sprawności ruchowej, czuciowej lub umysłowej, a także osoby bez doświadczenia lub wiedzy, chyba że działają pod nadzorem lub po przeszkoleniu.

OSTRZEŻENIE - Dostępne części mogą ulec nagrzanemu przy korzystaniu z urządzeń do gotowania. W celu oświetlenia przestrzeni pod okapem należy nacisnąć przycisk sterowania oświetleniem. Aby wyłączyć, należy ponownie nacisnąć przycisk.

Uruchomienie okapu następuje po naciśnięciu przycisku z żądaną prędkością: **1** - niska, **2** - średnia lub **3** - wysoka prędkość. Neonowa lampka kontrolna włącza się, aby zasygnalizować działanie dmuchawy. W celu wyłączenia nacisnąć przycisk „OFF”.

PIELĘGNACJA I CZYSZCZENIE

Przed czyszczeniem lub konserwacją należy odłączyć urządzenie od zasilania.

Wymiana lampek LED

Jeśli dana wersja urządzenia posiada lampki LED, w celu ich wymiany należy zwrócić się do wyspecjalizowanego technika.

Zewnętrzna obudowa

Wszystkie zewnętrzne części obudowy można łatwo wyczyścić za pomocą czystej szmatki zwilżonej w ciepłej wodzie z mydłem.

Nie używać środków kaustycznych, ściernych środków czyszczących, druciaków, twardych narzędzi lub innych produktów zawierających chlorki, które uszkadzają powierzchnie.

Uporczywe zabrudzenia można usunąć za pomocą środka do czyszczenia stali nierdzewnej. Zalecamy wyczyszczenie całego obszaru wykonanego ze stali nierdzewnej, aby uzyskać jednolity efekt.

Ostre przedmioty mogą rysować powierzchnię stali nierdzewnej, ale zarysowania staną się mniej widoczne z upływem czasu.

Aby zachować efekt wypolerowania stali nierdzewnej lub usunąć ślady tłuszczu, należy delikatnie przetrzeć powierzchnie przy użyciu niewielkiej ilości oliwki dla dzieci oraz papierowego ręcznika kuchennego.

Nie używać olejów spożywczych, ponieważ mogą one zawierać sól, która potrafi uszkodzić powierzchnię stali nierdzewnej.

Przed czyszczeniem lub konserwacją należy odłączyć urządzenie od zasilania.

Aby zapobiec zagrożeniu pożarowemu, należy przestrzegać poniższych instrukcji dotyczących czyszczenia:

Filtry tłuszczowe

Filtry tłuszczowe wchłaniają tłuszcz i pył z oparów kuchennych, które mogłyby uszkodzić elementy wewnętrzne okapu.

Filtry tłuszczowe należy regularnie wyjmować i czyścić - przy normalnym użytkowaniu co 2 miesiące.

Do czyszczenia używać ciepłej wody z mydłem lub umieszczać filtry w zmywarce. Wskutek czyszczenia mogą one delikatnie zmienić kolor, jednakże nie wpływa to na ich funkcjonowanie.

Ważne: Częste mycie jest kluczowe w zapobieganiu nagromadzenia tłuszczu w filtrach, który mógłby spowodować zagrożenie pożarowe.

1. Wyjąć filtry z okapu
2. Dokładnie wyczyścić filtry tłuszczowe w ciepłej wodzie z mydłem, a następnie osuszyć za pomocą czystego ręcznika.
3. Zamocować czyste filtry.

Filtry węglowe (modele wykorzystujące wyłącznie metodę recykulacji)

Filtry węglowe pochłaniają zapachy kuchenne i konieczna jest ich wymiana co 6 miesięcy normalnego użytkowania. Nowe filtry węglowe można zamówić w Centrum Obsługi Klienta (szczegóły zamieszczono na końcu podręcznika).

Nasylenie węgla aktywnego w filtrze zależy od częstości używania okapu, rodzaju kuchni i regularności czyszczenia filtra tłuszczowego.

Filtrów węglowych nie można myć - wymieniać je na nowe co 6 miesięcy.

DANE TECHNICZNE

Zasilanie elektryczne

220-240 V ~ 50 Hz

Klasyfikacja

klasa I

Poziom hałas (wentylacja zewnętrzna)

Okap podszafrkowy

Booster	72 dBA
Pozycja 3	65 dBA
Pozycja 1	52 dBA

Okap kominowy

Booster	72 dBA
Pozycja 3	65 dBA
Pozycja 1	52 dBA

Oświetlenie

LED: 2 x 1,5 W

Moc znamionowa silnika

250 W

Filtry tłuszczowe

3 sztuki - panel aluminiowy

Uwaga: Wskutek czyszczenia filtry tłuszczowe mogą delikatnie wyblaknąć, jednakże nie wpływa to na ich funkcjonowanie.

Filtry węglowe

2 sztuki - dostępne jako części zamienne

Wydajność wyciągu (wentylacja zewnętrzna)

Okap podszafrkowy

Booster	805,8 m ³ /h
Pozycja 3	605,7 m ³ /h
Pozycja 1	280,0 m ³ /h

Okap kominowy

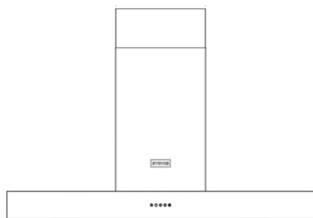
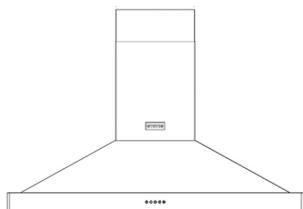
Booster	805,8 m ³ /h
Pozycja 3	605,7 m ³ /h
Pozycja 1	280,0 m ³ /h

CENTRUM OBSŁUGI KLIENTA STOVES

Country	Contact Address	Contact details
France	Glen Dimplex France ZI petite Montagne Sud 12 rue des Cévennes - Lisses 91017 EVRY cedex FRANCE	Service Number: 01 69 11 11 85 Tel: 00 33 (0)1 69 11 11 91 Fax: 00 33 (0)1 60 86 28 37 direction@glendimplex-france.fr www.glendimplex-france.fr
Holland/ Belgium	Glen Dimplex Benelux B.V. Nederland/Le Pays Bas Saturnus 8 8448 CC Heerenveen Tel: +31 (0) 513-656500 Fax: +31 (0) 513-656501 www.stoves.nl België/Belgique Burgemeester Maenhoutstraat 64 9820 Merelbeke Tel: +32 (0)92100210 Fax: +32 (0)92100212 www.stoves.be	Productregistratie/ Registration de produit www.gdbservice.com Serviceaanvraag/ Demande de service www.stoves.nl / www.stoves.be zie banner 'service' homepage voir la bannière 'service' sur notre page d'accueil
Germany/ Austria	ELESCO EUROPA GmbH Karl-Wiechert-Allee 74a D-30625 Hannover	Telefon: +49-(0)511-5151 3360 Fax: +49 (0)511 5343 0910 info@elesco-europa.com www.vittoria5sterne.de
Poland	OPTIDATA Sp. z o. o., ul. Wielicka 50/5, 30-552 Kraków	+48 12 383 39 30 www.kuchniestoves.pl service.stoves@optidata.pl
Sweden	Lindström & Sondén AB Havsbadsvägen 1 26263 Ängelholm	Tele: 010-1011656 Email: info@lsbolagen.se
Republic of Ireland	Glen Dimplex Ireland, Airport Road, Cloghran, Co. Dublin	Service Telephone No.' (01) 8428222 Service and Spare Parts. serviceireland@glendimplex.com
Other	Glen Dimplex Home Appliances, Stoney Lane, Prescot, Merseyside, L35 2XW	Tel: 0844 815 3740

S T O V E S

STOVES



Stoves Exaustores
Manual de Utilizador

Contéudo

Introdução.	2
Medidas de segurança e precaução	3
Instruções de Instalação.	4
Usar o Exaustor	6
Cuidados e Limpeza	7
Dados Técnicos.	8
Stoves Atendimento ao Cliente	9

Introdução

Obrigado por comprar este exaustor de alta qualidade.

A nossa política é de constante desenvolvimento e aperfeiçoamento. O restrito rigor de ilustrações e especificações não é totalmente garantida. Podem ocorrer modificações em projeções e materiais na sequência da publicação.

Antes de utilizar, pela primeira vez, o aparelho, remova todas as embalagens e películas protetoras.

Este aparelho foi projetado para ser utilizado como exaustor (evacuação do ar para o exterior) ou de filtragem (interior de ar reciclado).

Nota: Este aparelho não vem equipado com kit de condutas, ou filtros de carvão. Os detalhes para encomendar estas peças encontram-se na parte de trás do manual de instruções.

Devido à complexidade e peso do aparelho, recomenda-se que a instalação seja efetuada por um profissional especializado.

O fabricante declina toda a responsabilidade por danos causados por indevida ou instalação.

Por favor, leia este manual cuidadosamente e mantenha-o para referência futura.

Precauções de Segurança

1. Tome cuidado quando o exaustor estiver operando simultaneamente com uma lareira ou queimador aberto que depende do ar no ambiente. O exaustor remove o ar do ambiente que um queimador ou uma lareira precisa para a combustão.

A pressão negativa no ambiente não deve exceder 4Pa (4x10⁻⁵ bar). Providencie uma ventilação adequada no ambiente para uma operação segura do exaustor. Siga as leis locais aplicáveis para a evacuação de ar externo. Antes de ligar o aparelho faça a revisão de rede de energia elétrica da placa de dados (posicionados no interior do aparelho) para confirmar que a tensão e a potência correspondam à rede e é o adequado. Em caso de dúvida peça ajuda a um eletricista qualificado.

Se o cabo de alimentação estiver danificado, deve ser substituído. Isto pode ser obtido diretamente no fabricante.

Este dispositivo deve ser conectado à rede de alimentação por meio de uma ficha com fusível 3A ou programado para um esporão 2 fase protegida por fusível 3A.

2. Atenção!

Em determinadas circunstâncias, os aparelhos elétricos podem ser perigosos.

- A) Não verificar o estado dos filtros enquanto o exaustor estiver a funcionar.
- B) Não toque nas lâmpadas ou áreas adjacentes durante ou logo após o uso prolongado da iluminação.
- C) Culinária flamejante é proibida por debaixo do exaustor.
- D) Evite chamas livres, pois é prejudicial para os filtros e um risco de incêndio.
- E) Não deixe nada a fritar autonomamente como o óleo sobreaquecido pois pode se tornar num perigo de incêndio.
- F) Desligue a ligação elétrica antes de qualquer manutenção.
- G) Este aparelho não deve ser utilizado por crianças ou pessoas doentes sem supervisão.
- H) As crianças mais pequenas devem ser vigiadas para garantir que não brincam com o aparelho.
- I) Não haverá ventilação adequada da sala quando o exaustor for utilizado ao mesmo tempo como aparelhos de gás ou de outros que não sejam elétricas e proporcionem a queima de combustíveis.
- G) Há um risco de incêndio se a limpeza não é levada a cabo de acordo com as instruções.

Este aparelho está em conformidade com a diretiva europeia CE / 2002/96, Resíduos de Equipamentos Elétricos e Eletrónicos (REEE).

O símbolo no produto ou na documentação de acompanhamento indica que o aparelho não deve ser tratado como lixo doméstico, devendo ser entregue num ponto de recolha para reciclagem de aparelhos elétricos e eletrónicos adequados.

Siga as orientações locais para a eliminação de resíduos.

Para obter mais informações sobre o tratamento, reutilização e reciclagem deste produto, por favor contacte as autoridades locais, o serviço de recolha de resíduos domésticos ou vendedor onde o aparelho foi comprado.

Instruções de Instalação

- As ligações elétricas devem ser efetuadas por pessoal especializado.
- Usar luvas de proteção antes de prosseguir com a instalação.
- Conexão Elétrica:

- O aparelho foi fabricado como classe II, portanto, não é necessário o cabo de terra. O ponto de alimentação deve ser facilmente acessível após a instalação do aparelho. Se o aparelho estiver equipado com cabo de alimentação sem ficha, um interruptor unipolar dimensionado adequadamente com abertura mínima 3 mm entre contatos deve ser montado entre o aparelho e o fornecimento de eletricidade em conformidade com a carga e regulamentos em vigor.

- A ligação à rede eléctrica é realizada como se segue:

Castanho = L linha

Azul = N neutral.

- Se o fogão é elétrico, gás, ou indução, a distância mínima entre a mesma e a parte inferior do exaustor deve ser de pelo menos 65 cm. Se utilizar um tubo de ligação composta por duas partes, a parte superior tem de ser colocada no exterior da parte inferior.

Não ligue a descarga do exaustor para o mesmo condutor que utiliza para circular o ar quente ou para evacuar os fumos de outros aparelhos geradas que não sejam de origem de uma fonte eléctrica.

Antes de prosseguir com as operações de montagem, retire o filtro anti gordura (s) (Fig.1) para que a unidade seja mais fácil de manusear.

- No caso de montagem do aparelho em versão de sucção prepare o furo para a evacuação de ar.

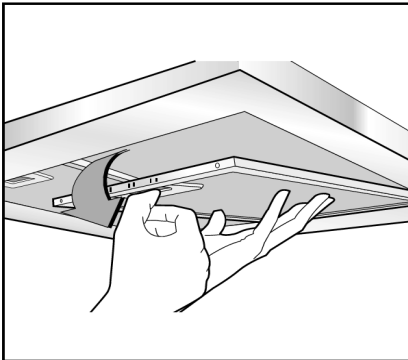


Fig.1

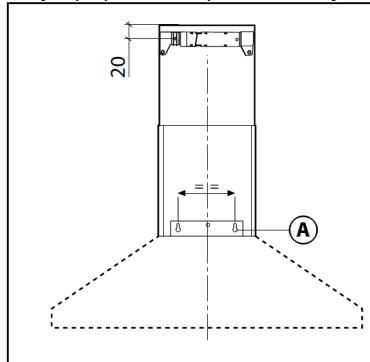


Fig.2

- Recomendamos o uso de um tubo de escape de ar, que tem o mesmo diâmetro que o orifício de saída de exaustão de ar. Se utilizar um tubo com um diâmetro mais pequeno, a eficiência do produto pode ser reduzida e o seu funcionamento pode tornar-se mais barulhento.

• Se o seu aparelho foi projetado para uso em habitações como dispositivo de sucção centralizado deve realizar as seguintes operações:

- A abertura dos controladores através de uma chave de fechamento de uma válvula usando um dispositivo termoeletrico. Ao colocar a chave na posição Ligar, depois de um minuto, a válvula abre numa rotação de 90 °, permitindo a sucção do ar viciado. Ao colocar a chave na posição Desligar, a válvula fecha-se após 100 segundos.

- **Fixação à parede:**

Faça os furos A respeitando as medidas indicadas (Fig.2).

Fixar o aparelho à parede e alinhá-la na posição horizontal com as unidades de parede. Quando o aparelho for ajustado, fixe definitivamente o exaustor com os parafusos A (Fig.3). Para as várias instalações utilizar parafusos e buchas adequados para o tipo de parede (por exemplo, placas de gesso, etc.). Se os parafusos e buchas são fornecidos com o produto, verifique se eles são os adequados para o tipo de parede em que o exaustor é colocado.

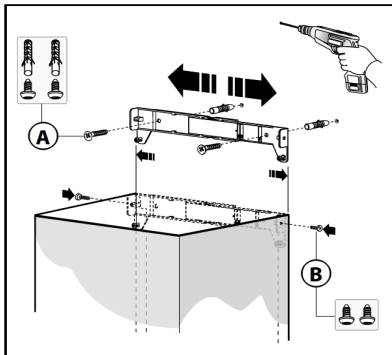


Fig.3

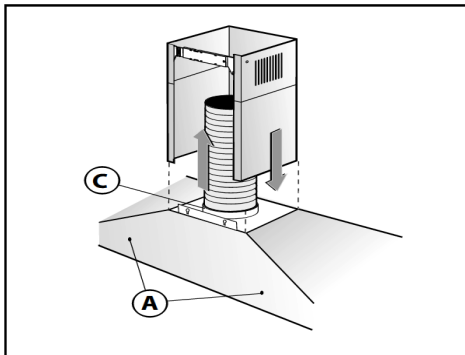


Fig.4

- **Fixação do tubo telescópico e decoração:**

Organizar o fornecimento de energia elétrica dentro das dimensões da chaminé decorativa. Se o seu aparelho estiver para ser instalado na versão aspirante ou na versão com motor exterior, prepare a abertura de exaustão de ar. Ajustar a largura do elemento de suporte do tubo superior (Fig.4). Em seguida, corrija a posição com o teto com os parafusos A (Figura 4), de tal forma que este esteja em linha com a sua capa e respeitando a distância entre o teto indicado na figura 2.

Conecte o encaixe C ao furo de evacuação do ar usando um tubo de ligação (Fig.5). Insira o tubo superior para o tubo inferior ficar acima do quadro. Extraia o tubo superior até o suporte e fixe com os parafusos B (Figura 4). Para transformar o exaustor numa versão aspirante em vez de uma versão de filtragem, pergunte ao seu fornecedor quais os filtros de carvão indicados e siga as instruções de instalação.

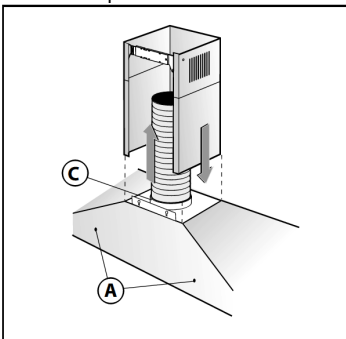


Fig.5

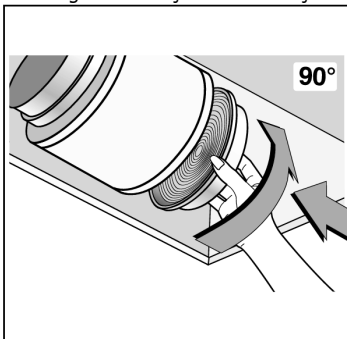


Fig.6

- **Filtragem:**

Instale o exaustor e as duas chaminés, conforme o descrito no parágrafo para a instalação do exaustor em versão aspirante. Para montar o tubo de filtragem consulte as instruções contidas no seu kit. Se o seu kit não contiver esta fornecida, encomendá-lo a partir de um revendedor como acessório. Os filtros devem ser aplicados na unidade de aspiração posicionada dentro do exaustor. Devem estar centrados, rodando-os em 90 graus até que o dispositivo de retenção esteja desmontado (Fig.6).

Utilização do Exaustor

Controladores



Lâmpada



– Pressionar para ligar / desligar a luz

Velocidade -selecione a velocidade atendendo às condições de cozinhamento.



Baixo- Fritura leve / Ebulição. Pressionar este botão para entrar em baixa velocidade e novamente para desligar o motor.



Médio- Fritar / Ebulição pesado. Pressionar este botão para entrar em velocidade média e novamente para desligar o motor



Alto- Grelhar, fritar intensivamente. Pressionar este botão para entrar em alta velocidade e novamente para desligar o motor



Impulsionador- Pressionar este botão para entrar em velocidade mais alta e novamente para desligar o motor.

Função Impulsionador

Este exaustor também possui uma função de reforço. Para ativar o impulsionador, pressione o botão B enquanto o exaustor está em uso e que irá aumentar a velocidade durante 8 minutos, antes de desacelerar novamente.

É recomendável que ligue o exaustor durante alguns minutos antes de começar a cozinhar, e então deixá-lo a trabalhar por cerca de 8 minutos a seguir para garantir que todos os odores sejam aspirados.

Verifique que o aparelho não está a ser utilizado por crianças ou pessoas com capacidades físicas, sensoriais ou mentais, reduzidas, ou com falta de experiência e conhecimento, a não ser que lhes tenha sido dada supervisão ou instruções.

AVISO – As partes acessível podem ficar quentes quando usado com aparelhos de cozinha. Para iluminar a área de cozinhar debaixo do exaustor, pressione o botão de controlo de luz para a posição "Ligar". Para desligar, pressione novamente para retornar para a posição "Desligar".

Para operar o exaustor, pressione o botão para a velocidade desejada - selecione: 1 baixo, 2 médio, ou 3 alta velocidade. A luz indicadora acende-se para mostrar quando o ventilador está a funcionar. Para desligar, pressione o botão "Desligar".

Cuidados e Limpeza

Antes da limpeza ou manutenção, desligue o equipamento da corrente elétrica.

Substituição das luzes LED

Se a versão do aparelho possuir lâmpadas LED, a intervenção de um técnico especializado poderá ser necessária para proceder à substituição.

Carcaça

Todas as partes externas do aparelho podem ser limpas em segurança com um pano limpo e torcido em água quente com sabão.

Não use pastas cáusticas, pós abrasivos, lã de fio, implementos rígidos, ou quaisquer produtos que contenham cloretos para não danificar as superfícies.

As marcas mais resistentes podem ser removidas utilizando uma esponja de aço inoxidável. Recomendamos que limpe toda a área da esponja de aço inoxidável para manter um acabamento uniforme.

Objetos pontiagudos podem marcar a superfície de aço inoxidável, mas as marcas tornam-se menos visíveis com o tempo.

Para manter o acabamento do aço inoxidável, ou para remover quaisquer marcas de gordura, limpe a superfície de aço inoxidável com moderação opte por uma quantidade mínima de óleo de bebê e papel de cozinha.

Não use óleos de cozinha, uma vez que estes podem conter sal, o que pode danificar a superfície de aço inoxidável.

Antes da limpeza ou manutenção, desligue o equipamento da corrente elétrica.

Para evitar riscos de incêndio, deve seguir as seguintes instruções de limpeza:

Filtros de gordura

Os filtros de gordura absorvem gordura e poeira dos fumos de cozinha, que prejudicariam o interior do exaustor.

Os filtros de gordura devem ser removidos e limpos regularmente - com o uso normal, estes devem ser substituídos a cada 2 meses.

Para proceder à limpeza dos filtros use água morna e sabão ou lave na máquina de lavar. Os filtros de gordura podem alterar um pouco de cor após a lavagem, no entanto isso não afeta o seu correto desempenho.

Importante: A lavagem frequente dos filtros é essencial para evitar uma acumulação de gordura nos filtros que poderiam tornar-se um risco de incêndio.

1. Remova os filtros da coifa.
2. Lave cuidadosamente os filtros de gordura em água quente e sabão e seque com uma toalha limpa.
3. Volte a colocar os filtros limpos.

Filtros de carbono (modelos instalado para uso , apenas, com o método de recirculação)

Os filtros de carbono absorvem odores de cozinha e precisam de ser renovados após cerca de 6 meses de uso normal. Os filtros de substituição de carbono podem ser obtidos no nosso serviço de Atendimento ao Cliente (detalhes na parte de trás do manual).

A saturação de carvão ativado no filtro vai depender de quantas vezes o exaustor for utilizado, o tipo de cozinha e da regularidade da limpeza do filtro de gordura.

Os filtros de carbono não podem ser lavados- deve-se substituir a cada 6 meses.

Dados Técnicos

Fornecimento de Energia Elétrica

220 - 240V ~ 50Hz

Classificação

Classe I

Nível de Ruído (Ventilação Externa)

Placa

Impulsionador 72 dBA

Posição 3 65 dBA

Posição 1 52 dBA

Chaminé

Impulsionador 72 dBA

Posição 3 65 dBA

Posição 1 52 dBA

Lâmpadas

2 x 1.5W LED

Classificação do Motor

250W

Filtros de Gordura

3 Desligado – Painel de alumínio

Nota: Após a limpeza, os filtros de gordura podem perder a sua ligeiramente a sua cor - isso não afeta o seu desempenho.

Filtros de Carbono

2 Desligado – Disponível como peça de reposição

Taxa de Extração (Externo)

Tampo

Impulsionador 805.8 m3/H

Posição 3 605.7 m3/H

Posição 1 280.0 m3/H

Chaminé

Impulsionador 805.8 m3/H

Posição 3 605.7 m3/H

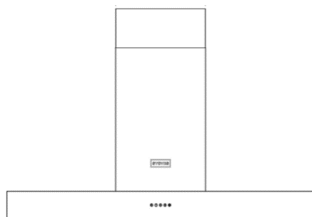
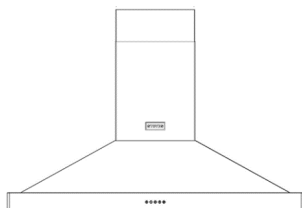
Posição 1 280.0 m3/H

Stoves Atendimento ao Cliente

Country	Contact Address	Contact details
France	Glen Dimplex France ZI petite Montagne Sud 12 rue des Cévennes - Lisses 91017 EVRY cedex FRANCE	Service Number: 01 69 11 11 85 Tel: 00 33 (0)1 69 11 11 91 Fax: 00 33 (0)1 60 86 28 37 direction@glendimplex-france.fr www.glendimplex-france.fr
Holland/ Belgium	Glen Dimplex Benelux B.V. Nederland/Le Pays Bas Saturnus 8 8448 CC Heerenveen Tel: +31 (0) 513-656500 Fax: +31 (0) 513-656501 www.stoves.nl België/Belgique Burgemeester Maenhautstraat 64 9820 Merelbeke Tel: +32 (0)92100210 Fax: +32 (0)92100212 www.stoves.be	Productregistratie/ Registration de produit www.gdbservice.com Serviceaanvraag/ Demande de service www.stoves.nl / www.stoves.be zie banner 'service' homepagina voir la banniere 'service' sur notre page d'accueil
Germany/ Austria	ELESCO EUROPA GmbH Karl-Wiechert-Allee 74a D-30625 Hannover	Telefon: +49-(0)511-5151 3360 Fax: +49 (0)511 5343 0910 info@elesco-europa.com www.vittoria5sterne.de
Poland	OPTIDATA Sp. z o. o., ul. Wielicka 50/5, 30-552 Kraków	+48 12 383 39 30 www.kuchniestoves.pl service.stoves@optidata.pl
Sweden	Lindström & Sondén AB Havsbadvägen 1 26263 Ängelholm	Tele: 010-1011656 Email: info@lsbolagen.se
Republic of Ireland	Glen Dimplex Ireland, Airport Road, Cloghran, Co. Dublin	Service Telephone No.' (01) 8428222 Service and Spare Parts. serviceireland@glendimplex.com
Other	Glen Dimplex Home Appliances, Stoney Lane, Prescott, Merseyside, L35 2XW	Tel: 0844 815 3740

S T O V E S

STOVES



Hota de Aragaz Stoves
Manual de utilizare

Conținut

Introducere	2
Măsuri de Siguranța	3
Instrucțiuni de instalare.	4
Utilizarea Hotei	6
Întreținere și curățare	7
Date tehnice	8
Asistența pentru clienți Stoves	9

Introducere

Vă mulțumim pentru achiziționarea acestui hote de înaltă calitate de la Stoves.

Politica noastră este una de dezvoltare și de îmbunătățire constantă. Acuratețea riguroasă a ilustrațiilor și specificațiilor nu sunt garantate. Modificarea design-ului și a materialelor poate fi necesară după publicare.

Înainte de a utiliza aparatul pentru prima dată, scoateți toate ambalajele și pelicula de polietilenă de protecție.

Acest aparat a fost conceput pentru a fi utilizat drept hotă de evacuare (de evacuare a aerului spre exterior) sau de filtrare (reciclare a aerului din interior).

Notă: Acest aparat nu vine livrat cu un set de conducte sau filtre de carbon. Detalii pentru comandarea acestor piese sunt pe spatele manualului.

Din cauza complexității și greutateii aparatului, se recomandă ca instalația să fie efectuată de către personal de specialitate.

Producătorul declină orice responsabilitate pentru daunele cauzate de instalarea necorespunzătoare.

Vă rugăm să citiți acest manual cu atenție și să-l păstrați pentru consultări ulterioare.

MĂSURI DE SIGURANȚĂ

1. Aveți grijă atunci când hota funcționează simultan cu un șemineu sau un arzător care depinde de aerul din mediul înconjurător. Hota elimină aerul din mediul din care un arzător sau șemineu are nevoie pentru ardere. Presiunea negativă în mediul înconjurător nu trebuie să depășească 4Pa (bar 4x10⁻⁵). Asigurați o ventilație adecvată în mediul înconjurător pentru funcționarea în condiții de siguranță a hotei. Respectați legile locale aplicabile pentru evacuarea aerului spre exterior.

Înainte de a conecta modelul la rețeaua de energie electrică verificați plăcuța cu date (poziționată în interiorul aparatului) pentru a confirma că tensiunea și puterea corespund cu rețeaua și că priza este potrivită. Dacă aveți dubii întrebați un electrician calificat.

În cazul în care cablul de alimentare este deteriorat trebuie înlocuit. Acest lucru poate fi obținut direct de la producător.

Acest dispozitiv trebuie să fie conectat la rețeaua de alimentare fie printr-o mufă cu siguranță fuzibilă de 3A sau cablat la un bransament bifazic protejat cu o siguranță de 3A.

2. Atentionare!

În anumite circumstanțe aparatele electrice pot fi un pericol periculos.

- A) Nu verifica starea filtrelor în timp ce hota este în funcțiune.
- B) Nu atingeți becurile sau zonele adiacente în timpul sau imediat după utilizarea prelungită a instalației de iluminat.
- C) Gătitul flambat este interzis sub hota.
- D) Evitați flacără liberă, deoarece este dăunătoare pentru filtre și un pericol de incendiu.
- E) Nu lăsați alimentele care se prăjesc nesupravegheate deoarece uleiul supraincalzit poate deveni un pericol de incendiu.
- F) Deconectați conexiunea electrică înainte de orice întreținere.
- G) Acest aparat nu este destinat utilizării de către copii mici sau persoane infirme fără supraveghere.
- H) Copiii mici trebuie supravegheați pentru a se asigura că nu se joacă cu aparatul.
- I) Trebuie să existe o ventilație adecvată a camerei atunci când hota este utilizată în același timp cu aparatele consumatoare de gaz sau alți combustibili, altele decât electrice.
- L) Există un risc de incendiu, dacă curățarea nu este efectuată în conformitate cu instrucțiunile date.

Acest aparat este conform cu Directiva Europeană CE / 2002/96, cu privire la deșeurile de echipamente electrice și electronice (WEEE).

Simbolul de pe produs sau de pe documentele de însoțire indică faptul că aparatul nu trebuie să fie tratat ca deșeu menajer, ci trebuie să fie trimis la un punct de colectare adecvat de reciclare a aparatelor electrice și electronice.

Respectați regulile locale la aruncarea deșeurilor.

Pentru mai multe informații cu privire la tratarea, reutilizarea și reciclarea acestui produs, vă rugăm să contactați autoritățile locale, serviciul de colectare a deșeurilor menajere sau magazinul de unde a fost achiziționat aparatul.

INSTRUCTIUNI DE INSTALARE

- Asamblarea și conexiunile electrice trebuie efectuate de personal specializat.
- Purtați mănuși de protecție înainte de a începe instalarea.
- Conexiunea electrică:
 - Aparatul a fost fabricat în clasa II, prin urmare nu este necesară nici un cablu de împământare. Punctul de alimentare trebuie să fie ușor accesibil după instalarea aparatului. Dacă aparatul este echipat cu cablu de alimentare fără ștecher, un comutator omnipolar dimensionat corespunzător cu deschidere minimă de 3 mm între contacte trebuie să fie montat între aparat și sursa de energie electrică, în conformitate cu regulamentele în vigoare de sarcină și de curent.
 - Conexiunea la rețeaua electrică se realizează după cum urmează:
MARO = linie L
ALBASTRU = N neutru.
- În cazul în care plita este electrică, pe gaz, sau cu inducție, distanța minimă dintre ea și partea inferioară a hotei trebuie să fie de cel puțin 65 cm. Dacă se utilizează un tub de conexiune compus din două părți, partea superioară trebuie să fie plasată în afara părții inferioare.
Nu conectați evacuarea hotei la aceeași canal utilizat pentru a circula aerul cald sau pentru evacuarea fumului de la alte aparate acționate de altceva decât o sursă de alimentare.
Înainte de a începe cu operațiunile de asamblare, scoateți filtrul anti-grăsimă (figura 1), astfel încât unitatea să fie mai ușor de manevrat.
 - În cazul ansamblării aparatului în versiunea de aspirație pregătiți gaura pentru evacuarea aerului.

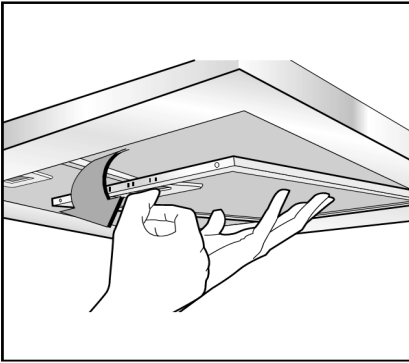


Fig.1

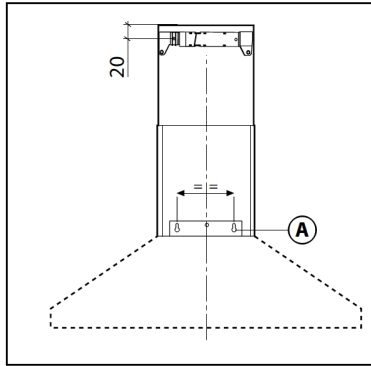


Fig.2

- Vă recomandăm utilizarea unui tub de evacuare a aerului care să aibă același diametru ca și orificiul de evacuare a aerului. Dacă se folosește o conductă cu un diametru mai mic, eficiența produsului poate fi redusă și funcționarea sa poate deveni mai zgomotoasă.
- În cazul în care aparatul a fost proiectat pentru a fi utilizat în locuințele echipate cu un dispozitiv centralizat de aspirare efectuați următoarele operații:
 - Comutatoare de comandă pentru deschiderea și închiderea unui robinet cu ajutorul unui dispozitiv termo-electric. Prin plasarea comutatorului în poziția DESCHIS, după un minut, supapa se deschide prin rotație la 90 ° care permite aspirația aerului stătut. Prin plasarea comutatorului în poziția INCHIS, supapa se închide după 100 de secunde.

- **Fixarea pe perete:**

Faceți găurile A respectând distanțele indicate (Fig.2).

Fixați aparatul pe perete și aliniați-l în poziție orizontală la unitățile de perete. În cazul în care aparatul a fost reglat, fixate definitiv hota folosind șuruburile A (fig.3). Pentru diferite instalații utilizati șuruburi și dibluri potrivite pentru tipul de perete (de exemplu beton armat, rigips, etc.).

În cazul în care șuruburile și diblurile sunt furnizate odată cu produsul, verificați dacă acestea sunt potrivite pentru tipul de perete pe care hota urmează să fie fixată.

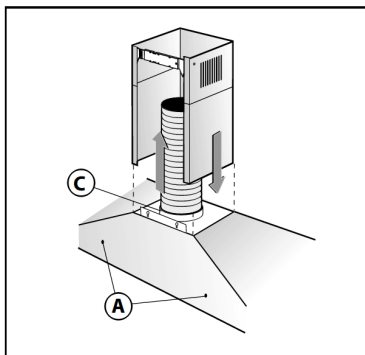


Fig.3

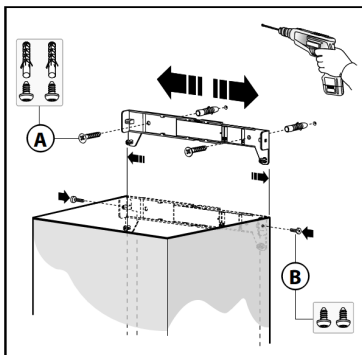


Fig.4

- **Fixarea cosului de fum telescopic decorativ:**

Aranjați alimentarea cu energie electrică în cadrul dimensiunilor cosului decorativ. În cazul în care aparatul va fi instalat în versiunea cu conducte sau în versiunea cu motor de exterior, pregătiți deschiderea de evacuare a aerului. Ajustați lățimea consolei suport a cosului superior (Fig.4). Apoi fixați-o de tavan folosind șuruburile A (fig.4), astfel încât să fie în linie cu hota dvs. și să respecte distanța față de plafonul indicat în Fig.2.

Conectați flanșa C la orificiul de evacuare a aerului cu ajutorul unei conducte de legătură (Fig.5). Introduceți cosul superior în cosul de fum inferior și sprijiniți-l deasupra cadrului. Extrageți cosul de fum superior până la suport și fixați-l cu șuruburile B (Fig.4). Pentru a transforma hota dintr-o versiune cu conducte într-o versiune de filtrare, cereți distribuitorului dvs. filtre de carbune și urmați instrucțiunile de instalare.

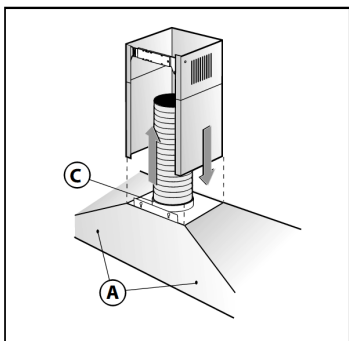


Fig.5

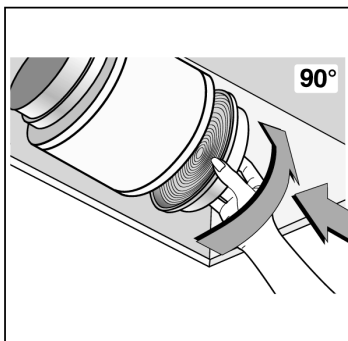


Fig.6

- **Versiunea de filtrare:**

Instalați hota și cele două coșuri așa cum este descris în paragraful de instalare a hotei în versiunea cu conducte. Pentru a asambla cosul de filtrare consultați instrucțiunile cuprinse în set. Dacă nu este furnizat setul, comandați-l de la distribuitor ca accesoriu. Filtrele trebuie să fie aplicate la unitatea de aspirație poziționată în interiorul hotei. Ele trebuie să fie centrate prin rotirea lor cu 90 de grade până când dispozitivul de oprire este declanșat (Fig.6).

UTILIZAREA HOTEI

Comenzile



Lampă



– Apăsați pentru a porni / opri lumina

Viteză – selectați viteza în funcție de condițiile de gătit



Scăzut - Prăjire usoară / fierbere. Apăsați acest buton pentru a intra în viteză redusă și din nou pentru a opri motorul.



Mediu - Prăjire / gătit la vas wok / fierbere lungă. Apăsați acest buton pentru a intra în viteză medie și din nou pentru a opri motorul



Înalt - Frigere, prăjire intensivă și gătit la vas wok. Apăsați acest buton pentru a intra în mare viteză și din nou pentru a opri motorul



amplificare - Apăsați acest buton pentru a intra în cea mai mare viteză și din nou pentru a opri motorul.

Funcția amplificare

Această hotă are de asemenea o funcție de amplificare. Pentru a activa amplificarea, apăsați butonul B în timp ce hota este în uz și viteza va crește timp de 8 minute, înainte de a se încetini din nou.

Vă recomandăm să porniți hota timp de câteva minute înainte de a începe gătitul, și apoi lăsați-o să funcționeze timp de aproximativ 8 minute după pentru a se asigura că toate mirosurile sunt extrase.

Aparatul nu trebuie utilizat de către copii sau persoane cu capacități fizice, senzoriale sau psihice reduse sau lipsite de experiență și cunoștințe, cu excepția cazului în care acestea sunt supravegheate sau instruite.

ATENȚIONARE - Părțile accesibile pot deveni fierbinți atunci când sunt utilizate cu aparate de gătit. Pentru a ilumina zona de gătit de sub hota, apăsați butonul de control al luminii în poziția "PORNIT". Pentru a opri, apăsați din nou pentru a reveni la poziția "OPRIT".

Pentru a opera hota, apăsați butonul pentru viteza dorită - selectați: viteză **1** scăzută, **2** medie, sau **3** mare. Indicatorul luminos de neon se va aprinde pentru a arăta atunci când ventilatorul funcționează. Pentru a opri, apăsați butonul "OPRIT".

INTRETINERE & CURATARE

Înainte de curățare sau de întreținere, opriți alimentarea cu energie electrică.

Înlocuirea LED-ului

Dacă versiunea aparatului este cu lămpi cu LED-uri, intervenția unui tehnician specializat este necesară pentru a le înlocui

Carcasa exterioară

Toate părțile exterioare ale carcasei exterioare pot fi curățate în condiții de siguranță cu o cârpă curată înmuiată în apă fierbinte cu săpun.

Nu folosiți componente caustice, pudre de curățare abrazive, burete de sârmă, instrumente dure, sau produse care conțin cloruri, deoarece acestea vor deteriora suprafețele.

Semnele persistente pot fi îndepărtate cu ajutorul unui aspirator din oțel inoxidabil. Vă recomandăm să curățați întreaga suprafață din oțel inoxidabil pentru a menține un finisaj uniform.

Obiectele ascuțite pot face semne pe suprafața de oțel inoxidabil, dar semnele vor deveni mai puțin vizibile cu timpul.

Pentru a menține finisarea de oțel inoxidabil, sau pentru a elimina orice semne de grasime, ștergeți suprafața din oțel inoxidabil cu moderatie cu o cantitate minimă de ulei pentru bebeluși și hârtie de bucătărie.

Nu folosiți uleiuri de gătit, deoarece acestea pot să conțină sare, care poate deteriora suprafața din oțel inoxidabil.

Înainte de curățare sau de întreținere, opriți alimentarea cu energie electrică.

Pentru a evita orice risc de incendiu, următoarele instrucțiuni de curățare trebuie urmate:

Filtre de grăsime

Filtrele de grăsime absorb grăsimea și praful din fumul de gătit, care altfel ar afecta interiorul hotei.

Filtrele de grasime trebuie să fie scoase și curățate în mod regulat – la o utilizare normală, aceasta ar trebui să fie făcută la fiecare 2 luni.

Pentru a curăța utilizați apă caldă cu săpun, sau spălați în mașina de spălat vase. Filtrele pentru grăsime își pot schimba ușor culoarea în urma spălării, însă acest lucru nu afectează performanța lor.

Important: Spălarea frecventă este esențială pentru a preveni acumularea de grăsime în filtre care ar putea deveni un pericol de incendiu.

1. Scoateți filtrele din hota.
2. Spălați cu atenție filtrele de grăsime în apă cu săpun cald și uscați cu un prosop curat.
3. Montați filtrele curate.

Filtre de carbon (modele instalate pentru utilizarea numai cu metoda de recirculare)

Filtrele de carbon absorb mirosurile de gătit și au nevoie de reînnoire după aproximativ 6 luni de utilizare normală. Filtrele de carbon de schimb pot fi obținute de la Serviciul Clienți (detalii în partea din spate a manualului).

Saturația cu cărbune activat în filtru va depinde de cât de des este folosită hota, tipul de bucătărie și regularitatea cu care se curăță filtrul de grăsime.

Filtrele de carbon nu pot fi spălate - reînlocuiți la fiecare 6 luni.

DATE TEHNICE

Alimentare cu energie electrică

220 - 240V ~ 50Hz

Clasificare

clasa I

Nivel de zgomot (ventilare externă)

Hote plate

Amplificare	72 dBA
Poziția 3	65 dBA
Poziția 1	52 dBA

Hote cu cos

Amplificare	72 dBA
Poziția 3	65 dBA
Poziția 1	52 dBA

Becuri

2 x 1.5W LED

Putere Motor

250W

Filte de grăsimi

3 Dezactivat - panou din aluminiu

Notă: După curățare, filtrele de grăsime își pot pierde ușor culoarea- acest lucru nu afectează performanța lor.

Filte de carbon

2 Dezactivat - Disponibil ca piese de schimb

Rata de Extracție (extern)

Hote plate

Amplificare	805.8 m3/H
Poziția 3	605.7 m3/H
Poziția 1	280.0 m3/H

Hote cu cos

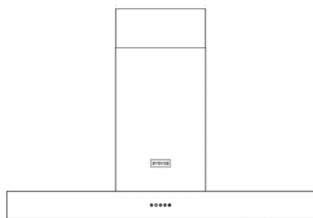
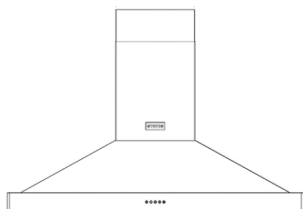
Amplificare	805.8 m3/H
Poziția 3	605.7 m3/H
Poziția 1	280.0 m3/H

SERVICIU CLIENȚI STOVES

Country	Contact Address	Contact details
France	Glen Dimplex France ZI petite Montagne Sud 12 rue des Cévennes - Lisses 91017 EVRY cedex FRANCE	Service Number: 01 69 11 11 85 Tel: 00 33 (0)1 69 11 11 91 Fax: 00 33 (0)1 60 86 28 37 direction@glendimplex-france.fr www.glendimplex-france.fr
Holland/ Belgium	Glen Dimplex Benelux B.V. Nederland/Le Pays Bas Saturnus 8 8448 CC Heerenveen Tel: +31 (0) 513-656500 Fax: +31 (0) 513-656501 www.stoves.nl België/Belgique Burgemeester Maenhautstraat 64 9820 Merelbeke Tel: +32 (0)92100210 Fax: +32 (0)92100212 www.stoves.be	Productregistratie/ Registration de produit www.gdbservice.com Serviceaanvraag/ Demande de service www.stoves.nl / www.stoves.be zie banner 'service' homepagina voir la banniere 'service' sur notre page d'accueil
Germany/ Austria	ELESCO EUROPA GmbH Karl-Wiechert-Allee 74a D-30625 Hannover	Telefon: +49-(0)511-5151 3360 Fax: +49 (0)511 5343 0910 info@elesco-europa.com www.vittoria5sterne.de
Poland	OPTIDATA Sp. z o. o., ul. Wielicka 50/5, 30-552 Kraków	+48 12 383 39 30 www.kuchniestoves.pl service.stoves@optidata.pl
Sweden	Lindström & Sondén AB Havsbadvägen 1 26263 Ängelholm	Tele: 010-1011656 Email: info@lsbolagen.se
Republic of Ireland	Glen Dimplex Ireland, Airport Road, Cloghran, Co. Dublin	Service Telephone No.' (01) 8428222 Service and Spare Parts. serviceireland@glendimplex.com
Other	Glen Dimplex Home Appliances, Stoney Lane, Prescott, Merseyside, L35 2XW	Tel: 0844 815 3740

S T O V E S

STOVES



Кухонная вытяжка Stoves
Руководство пользователя

Содержание

Введение	2
Меры предосторожности	3
Инструкция по установке.	4
Использование вытяжки	6
Уход и чистка	7
Технические характеристики	8
Техническая поддержка Stoves.	9

Введение

Благодарим вас за приобретение вытяжки высокого качества от компании Stoves.

Политика нашей компании заключается в постоянном развитии и улучшении наших изделий, поэтому иллюстрации и спецификации в настоящем руководстве могут не совпадать с реальными товарами. После данной публикации дизайн и используемые материалы могут быть изменены.

Перед первым использованием оборудования снимите всю упаковку и защитную полиэтиленовую пленку. Данное устройство предназначено для использования в качестве вытяжного (для вытяжки воздуха наружу из помещения) или фильтрующего (для обновления воздуха в помещении) приспособления.

Примечание: данное устройство поставляется без набора труб, угольных фильтров. Информация о том, как заказать их, находится на обратной стороне руководства.

Учитывая сложность и вес изделия, рекомендуется, чтобы установку проводил специалист.

Производитель не несет ответственность за понесенный урон в результате неправильной установки.

Рекомендуем внимательно ознакомиться с настоящим руководством и сохранить его на будущее.

МЕРЫ ПРЕДОСТОРОЖНОСТИ

1. Соблюдайте осторожность при использовании вытяжки одновременно с открытым камином или печью, работа которых зависит от воздуха в окружающей среде. Вытяжка выводит воздух, который необходим камину или печи для горения.

Отрицательное давление в атмосфере не должно превышать 4Па (4х10⁻⁵ бар). Обеспечьте надлежащую вентиляцию в помещении для безопасной эксплуатации вытяжки над плитой. Соблюдайте местные правила по вентиляции помещений.

Перед подключением вытяжки к электросети, ознакомьтесь с информацией на заводской табличке (расположена на внутренней стороне), чтобы убедиться, что напряжение и мощность вытяжки соответствуют параметрам электросети, а также, что вилка подходит розетке. В случае сомнений, проконсультируйтесь у специалиста.

Если поврежден кабель электропитания, его необходимо заменить. Кабель можно получить напрямую от производителя. Вытяжку необходимо подключать к сети через плавкий предохранитель ЗА или к удлинителю, защищенному предохранителем ЗА.

2. Предупреждение!

В определенных обстоятельствах электроприборы могут представлять опасность.

- а) Не проверяйте состояние фильтров при включенной вытяжке.
- б) Не прикасайтесь к лампочкам или прилегающим участкам во время или сразу после продолжительного использования освещения вытяжки.
- в) Запрещено использовать фламбирование при приготовлении пищи непосредственно под вытяжкой.
- г) Избегайте огня, поскольку он может повредить фильтры, к тому же огонь сам по себе представляет опасность.
- д) Не оставляйте без присмотра жарящуюся пищу, поскольку перегретое масло может воспламениться и стать причиной пожара.
- е) Отключайте вытяжку от сети перед началом любых ремонтных работ.
- ж) Устройство не предназначено для использования маленькими детьми или больными людьми без присмотра.
- з) Не разрешайте детям играть с устройством.
- и) Помимо вытяжки в помещении, где она используется, должна быть предусмотрена одновременно надлежащая вентиляция, если используются другие устройства, работающие на газе или другом топливе, помимо электричества.
- к) Если не выполнять чистку в соответствии с инструкциями, существует риск возникновения пожара.

Настоящее устройство отвечает требованиям Европейской Директивы ЕС/2002/96 «Отходы производства электрического и электронного оборудования (WEEE)».

Символ WEEE на изделии или сопутствующей документации указывает на то, что изделие следует утилизировать не как обычный бытовой мусор, а отнести в специальный пункт приема электроприборов для последующей вторичной переработки.

Соблюдайте местные правила при утилизации отходов.

Для получения подробной информации касательно обработки, повторного использования или вторичной переработки данного продукта рекомендуем обратиться к местным органам власти, местной службе по утилизации бытовых отходов или в торговую точку, где был приобретен прибор.

ИНСТРУКЦИЯ ПО УСТАНОВКЕ

- Сборку и электрические соединения должен выполнять квалифицированный специалист.
- Рекомендуется использовать защитные перчатки при установке.
- Электрическое соединение:
 - Изделие соответствует классу II, поэтому нет необходимости в заземляющем кабеле. Точка подключения к источнику питания должна быть доступной после установки вытяжки. Если устройство оснащено силовым кабелем без вилки, то между устройством и источником питания необходимо подсоединить подходящий по размеру омниполярный выключатель с минимальным расстоянием между контактами 3 мм и с функцией регулировки нагрузки и тока.
 - Электрическое подключение выполняется следующим образом:
КОРИЧНЕВЫЙ = L (фаза)
СИНИЙ = N (ноль).
- Если варочная панель электрическая, газовая или индукционная, минимальное расстояние между ней и нижней частью вытяжки должно быть 65 см. Если используется соединительная труба, состоящая из двух частей, то нижняя часть должна входить в верхнюю часть.
Не подключайте кухонную вытяжку к тому же воздуховоду, что используется и для циркуляции горячего воздуха или для удаления паров от других неэлектрических приборов.
Перед началом установки снимите для удобства фильтр(ы) для улавливания жиров (рис. 1).
 - Если изделие предназначено для использования в качестве вытяжного приспособления, приготовьте вентиляционное отверстие.

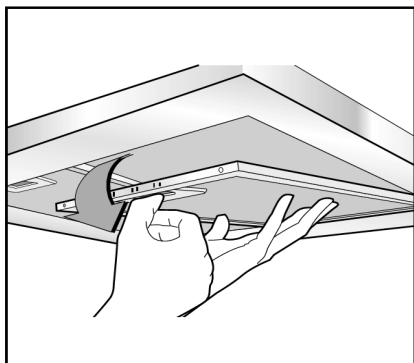


Рис. 1

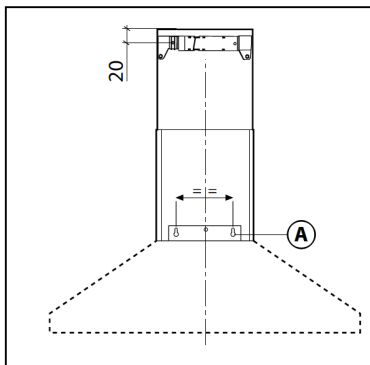


Рис. 2

- Мы рекомендуем использовать для откачки воздуха трубу с таким же диаметром, как у вентиляционного отверстия. При использовании трубы с меньшим диаметром, эффективность вытяжки снизится, а шум во время его работы – увеличится.
- Если вытяжка используется в жилых помещениях в качестве централизованного вытяжного устройства, примите во внимание следующую информацию:
 - Выключатель позволяет контролировать открытие и закрытие клапана при помощи термоэлектрического устройства. После переключения выключателя в положение ON (ВКЛ.), спустя минуту клапан открывается, повернувшись на 90°, в результате чего начнется всасывание затхлого воздуха. После переключения выключателя в положение OFF (ВЫКЛ.), клапан закрывается через 100 секунд.

- Крепление к стене:

Просверлите отверстия А на указанном расстоянии друг от друга (рис. 2).

Повесьте вытяжку на стене на креплениях и выровняйте её по горизонтали относительно других кухонных приборов. После этого надёжно закрепите её при помощи шурупов А (рис. 3). При разных типах установки используйте шурупы или винтовые анкерные болты в зависимости от типа стены (напр. железобетон, гипсокартон и т.д.).

Если шурупы и винтовые анкерные болты поставляются с вытяжным устройством, убедитесь, что они подходят под тип вашей стены, на которую будет осуществляться крепление.

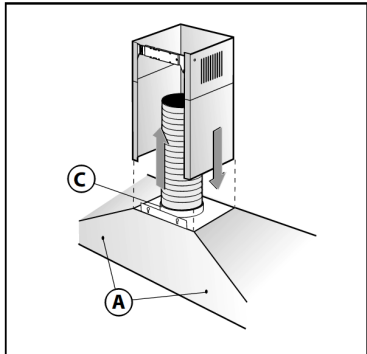


Рис. 3

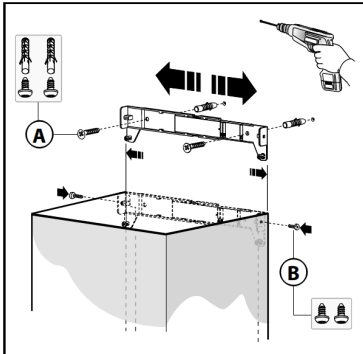


Рис. 4

- Крепление декоративного телескопического дымохода:

Установите источник питания с учетом габаритов декоративного дымохода.

Если устройство будет предназначено для использования в качестве вытяжного приспособления или же будет иметь внешний мотор, подготовьте отверстие для отвода воздуха. Отрегулируйте ширину опорного кронштейна верхней части дымохода (рис. 4). Затем прикрепите его к потолку при помощи шурупов А (рис. 4) таким образом, чтобы он был на одном уровне с вашей вытяжкой. Учитывайте также расстояние от потолка, обозначенное на рисунке 2.

Подсоедините фланец С к вентиляционному отверстию при помощи соединительной трубы (рис. 5). Вставьте верхнюю часть дымохода в нижнюю часть, а остальная часть должна располагаться над каркасом. Вытяните верхнюю часть дымохода до кронштейна и закрепите ее винтами В (рис. 4). Если хотите использовать вытяжку в качестве фильтрующего устройства, закажите у дилера фильтры и следуйте следующим инструкциям.

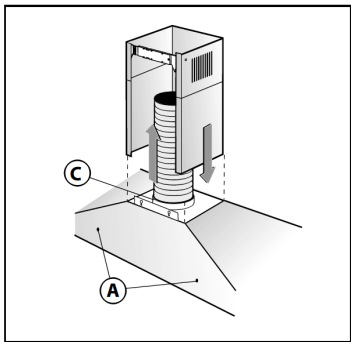


Рис. 5

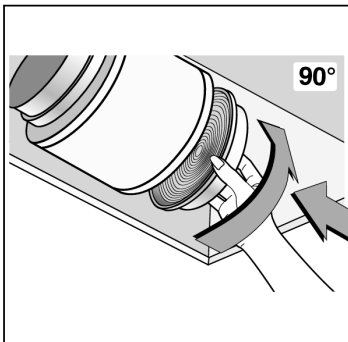


Рис. 6

- Вариант с фильтром:

Установите вытяжку и два дымохода, как описано в пункте по установке для варианта с вытяжкой воздуха. Для установки фильтрующего дымохода обратитесь к инструкциям в наборе. Если набора нет в комплекте, закажите его у дилера дополнительно. Фильтры необходимо устанавливать на всасывающее устройство внутри вытяжной системы. Отцентрируйте фильтры, повернув их на 90 градусов до специального упора (рис. 6).

ИСПОЛЬЗОВАНИЕ ВЫТЯЖКИ

Кнопки управления



Лампа



— Нажмите, чтобы включить/выключить свет

Скорость – выберите скорость в зависимости от ваших условий готовки



низкая - Неинтенсивная жарка/кипячение. Нажмите на кнопку, чтобы включить низкую скорость вытяжки. Нажмите еще раз, чтобы выключить мотор.



средняя Жарка/готовка в казане/сильное кипячение. Нажмите на эту кнопку, чтобы включить среднюю скорость вытяжки. Нажмите еще раз, чтобы выключить мотор.



высокая-Жарка на решетке и готовка в казане. Нажмите на эту кнопку, чтобы включить высокую скорость вытяжки. Нажмите еще раз, чтобы выключить мотор.



бустер - Нажмите на эту кнопку, чтобы включить самую высокую скорость вытяжки. Нажмите еще раз, чтобы выключить мотор.

Бустерная функция

Вытяжка также имеет бустерную функцию. Для ее активации необходимо нажать на кнопку «B», когда вытяжка включена. После этого производительность вытяжки увеличится на 8 минут, после чего снова замедлится.

Рекомендуется включать вытяжку на несколько минут перед началом готовки и давать ей поработать ещё примерно 8 минут после окончания готовки, чтобы гарантированно устранить все запахи.

Нельзя допускать к использованию вытяжки детей или лиц с ограниченными физическими, сенсорными или умственными способностями, а лиц, раньше не работавших с вытяжкой и не знакомых с порядком работы с ней – только под присмотром или после проведения инструктажа.

ПРЕДУПРЕЖДЕНИЕ – Части вытяжки, находящиеся в зоне досягаемости, могут сильно нагреваться при готовке. Чтобы осветить область готовки под вытяжкой, нажмите на соответствующую кнопку, переключив ее во включенное положение. Чтобы выключить лампу – нажмите на эту же кнопку еще раз. Чтобы включить вытяжку, нажмите кнопку, соответствующую скорости вытяжки. Выберите: 1) низкая скорость, 2) средняя или 3) высокая скорость. Когда начнет работать вентилятор, загорится неоновая индикаторная лампочка. Чтобы выключить вытяжку, нажмите на кнопку «off».

УХОД И ЧИСТКА

Отключите вытяжку от источника питания перед чисткой и техническим обслуживанием.

Замена светодиодных ламп

Если устройство имеет в своей конструкции светодиодные лампы, для их замены необходимо обратиться к специалисту.

Внешний кожух

Все внешние части внешнего кожуха можно безопасно мыть чистой тканью, отжатой в теплой мыльной воде. Не используйте щелочные пасты, абразивные порошкообразные чистящие вещества, металлические сетки, твердые предметы или любые другие средства, содержащие хлориды, поскольку они могут повредить поверхности.

В особых случаях можно использовать чистящие средства для нержавеющей стали. Мы рекомендуем мыть всю поверхность из нержавеющей стали, чтобы поверхность везде была одинаковой.

Острые предметы могут оставить царапины на нержавеющей стали, но со временем они станут незаметнее.

Для ухода за поверхностью из нержавеющей стали или для удаления жирных пятен протирайте поверхность небольшим количеством детского масла Baby Oil и салфеткой.

Не используйте для протирания масла для приготовления пищи, поскольку они могут содержать соль, которая может повредить поверхность из нержавеющей стали.

Перед мытьем или ремонтом вытяжки необходимо отключить ее от электрической сети.

Соблюдайте инструкции по мойке во избежание рисков возникновения пожара:

Фильтры-жироуловители

Фильтры-жироуловители поглощают жир и мельчайшие частицы кухонных испарений, которые в противном случае могут повредить внутреннюю часть вытяжки.

Фильтры-жироуловители необходимо регулярно вынимать и мыть. При нормальном использовании – каждые 2 месяца. Для мойки фильтров используйте теплую мыльную воду, также их можно мыть в посудомойке. После мойки цвет фильтров-жироуловителей может слегка измениться, однако это никак не влияет на их характеристики.

Важно: фильтры нуждаются в частой мойке, чтобы избежать накопления жира внутри них, что может стать причиной пожара.

1. Выньте фильтры из вытяжки.
2. Аккуратно вымойте их в горячей мыльной воде и вытрите чистым полотенцем.
3. Вставьте фильтры обратно.

Угольные фильтры (данные фильтры устанавливаются только для использования в вытяжках, работающих на рециркуляцию воздуха)

Угольные фильтры поглощают запахи при приготовлении пищи, и их необходимо менять каждые 6 месяцев при нормальном использовании. Новые фильтры можно получить, обратившись в техническую поддержку (детальную информацию можно найти на обороте руководства).

Насыщение активированного угля в фильтре будет зависеть от того, как часто используется вытяжка, типа кухни и регулярности чистки фильтра-жироуловителя.

Угольные фильтры нельзя мыть, их необходимо менять каждые 6 месяцев.

ТЕХНИЧЕСКИЕ ХАРАКТЕРИСТИКИ

Электропитание

220 – 240В ~ 50Гц

Классификация

класс I

Уровень шума (Внешняя вентиляция)

Плоская вытяжка

Бустер 72 дБА
Положение 3 65 дБА
Положение 1 52 дБА

Купольная вытяжка

Бустер 72 дБА
Положение 3 65 дБА
Положение 1 52 дБА

Лампочки

2 x 1,5 Вт светодиодные

Мощность двигателя

250Вт

Фильтры-жироуловители

3 шт. – Алюминиевая панель

Примечание: цвет фильтров-жироуловителей после чистки может немного выцвести – это никак не отражается на их функциональности.

Угольные фильтры

2 шт. – Доступны в качестве запасных частей

Скорость вытяжки (Внешняя)

Плоская вытяжка

Бустер 805,8 м3/ч
Положение 3 605,7 м3/ч
Положение 1 280,0 м3/ч

Купольная втяжка

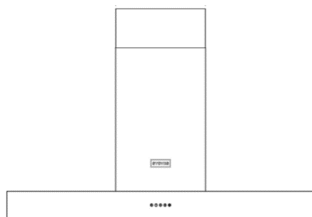
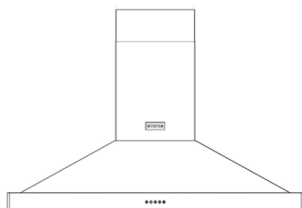
Бустер 805,8 м3/ч
Положение 3 605,7 м3/ч
Положение 1 280,0 м3/ч

ТЕХНИЧЕСКАЯ ПОДДЕРЖКА STOVES

Country	Contact Address	Contact details
France	Glen Dimplex France ZI petite Montagne Sud 12 rue des Cévennes - Lisses 91017 EVRY cedex FRANCE	Service Number: 01 69 11 11 85 Tel: 00 33 (0)1 69 11 11 91 Fax: 00 33 (0)1 60 86 28 37 direction@glendimplex-france.fr www.glendimplex-france.fr
Holland/ Belgium	Glen Dimplex Benelux B.V. Nederland/Le Pays Bas Saturnus 8 8448 CC Heerenveen Tel: +31 (0) 513-656500 Fax: +31 (0) 513-656501 www.stoves.nl België/Belgique Burgemeester Maenhoutstraat 64 9820 Merelbeke Tel: +32 (0)92100210 Fax: +32 (0)92100212 www.stoves.be	Productregistratie/ Registration de produit www.gdbservice.com Serviceaanvraag/ Demande de service www.stoves.nl / www.stoves.be zie banner 'service' homepage voir la banniere 'service' sur notre page d'accueil
Germany/ Austria	ELESCO EUROPA GmbH Karl-Wiechert-Allee 74a D-30625 Hannover	Telefon: +49-(0)511-5151 3360 Fax: +49 (0)511 5343 0910 info@elesco-europa.com www.vittoria5sterne.de
Poland	OPTIDATA Sp. z o. o., ul. Wielicka 50/5, 30-552 Kraków	+48 12 383 39 30 www.kuchniestoves.pl service.stoves@optidata.pl
Sweden	Lindström & Sondén AB Havsbadvägen 1 26263 Ängelholm	Tele: 010-1011656 Email: info@lsbolagen.se
Republic of Ireland	Glen Dimplex Ireland, Airport Road, Cloghran, Co. Dublin	Service Telephone No.' (01) 8428222 Service and Spare Parts. serviceireland@glendimplex.com
Other	Glen Dimplex Home Appliances, Stoney Lane, Prescot, Merseyside, L35 2XW	Tel: 0844 815 3740

S T O V E S

STOVES



Stoves Odsávač pár
Návod na použitie

Obsah

Úvod	2
Bezpečnostné opatrenia	3
Návod na inštaláciu	4
Použitie Odsávača pár	6
Starostlivosti a čistenie	7
Technické údaje	8
Stoves Klienty servis	9

Úvod

Ďakujeme vám za zakúpenie tohto vysoko kvalitného Odsávača pár od spoločnosti Stoves. Základom našej obchodnej politiky je neustály vývoj a zlepšovanie sa. Nezaručujeme prísnu presnosť ilustrácií a špecifikácií. Po vydaní môžu byť potrebné modifikácie, čo sa týka dizajnu a materiálov.

Pred prvým použitím prístroja, odstráňte všetky obaly a ochranné polyetylénovej fólie.

Tento spotrebič bol navrhnutý pre použitie ako odsávacie (odsávanie vzduchu smerom von), alebo filtračné (vnútorná recyklácia vzduchu) zariadenie.

Poznámka: Tento spotrebič nie je dodávaný spolu s potrubnými zostavami alebo uhlíkovými filtrami. Podrobnosti pre objednanie týchto dielov sú uvedené na zadnej strane príručky.

Vzhľadom na zložitosť a hmotnosti zariadenia odporúčame, aby inštalácia bola vykonaná odborným personálom.

Výrobca odmieta akúkoľvek zodpovednosť za škody spôsobené nesprávnou inštaláciou.

Prosím, návod si pozorne prečítajte a uschovajte ho pre budúce použitie

BEZPEČNOSTNÉ OPATRENIA

1. Dávajte pozor, ak odsávač pár je prevádzkovaný súčasne s takým sporákom alebo varnou doskou, ktorá je závislá na vzduchu v okolitom prostredí. Odsávač pár odstraňuje vzduch z prostredia, ktorý vzduch horák alebo varná doska potrebuje pre spaľovanie.

Negatívny tlak v prostredí nesmie prekročiť 4Pa (4x10⁻⁵ bar). Zaisťte dostatočné vetranie v prostredí pre bezpečnú prevádzku odsávača pár. Dodržujte miestne zákony platné pre vývod vzduchu do vonkajšieho prostredia.

Pred pripojením modelu do elektrickej siete preskúmajte dátový štítok (umiestnený vo vnútri spotrebiča), aby ste sa potvrdili o tom, že napätie a výkon spotrebiča zodpovedá hodnotám siete a aj zásuvka je vhodná. V prípade pochybností sa obráťte na kvalifikovaného elektrikára.

Ak je napájací kábel poškodený, musí byť vymenený. Môžete ho získať priamo od výrobcu.

Toto zariadenie musí byť pripojené k napájacej sieti cez konektor s tavnou poistkou 3A alebo prostredníctvom 2 fázových kolíkov chránených 3A poistkou.

2. Výstraha!

Za určitých okolností môžu elektrické spotrebiče predstavovať riziko nebezpečenstva.

A) Nekontrolujte stav filtrov, kým je odsávač pár v prevádzke.

B) Nedotýkajte sa žiaroviek alebo príľahlých oblastí v priebehu alebo ihneď po dlhšom používaní osvetľovacieho zariadenia.

C) Pod odsávačom pár je zakázané flambovanie.

D) Vyvarujte sa voľným plameňom, nakoľko sú škodlivé pre filtre a predstavujú nebezpečenstvo požiaru.

E) Nenechávajte jedlo vyprážať bez dozoru, pretože prehriaty olej môže spôsobiť nebezpečenstvo požiaru.

F) Pred údržbou odpojte elektrické pripojenia.

G) Tento spotrebič nie je určený pre používanie deťmi alebo chorými osobami bez dozoru.

H) Malé deti by mali byť pod dozorom, aby sa nehrali s týmto prístrojom.

I) Musí byť zabezpečené dostatočné vetranie miestnosti, pokiaľ je odsávač používaný v rovnakom čase ako zariadenie na spaľovanie plynu alebo iné palivá ako elektrické.

L) Ak čistenie nie je vykonávané v súlade s pokynmi, hrozí nebezpečenstvo požiaru.

Tento spotrebič je v súlade s európskou smernicou č. EC/2002/96, o odpade z elektrických a elektronických zariadení (OEEZ).

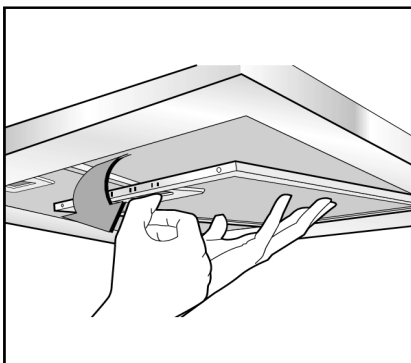
Symbol na výrobku alebo v sprievodných dokumentoch znamená, že spotrebič nesmie byť zlikvidovaný spolu s domácim odpadom, ale mala by byť dodaná do vhodného elektrického a elektronického zberného bodu alebo zariadenia pre recykláciu.

Pri likvidácii odpadu postupujte podľa miestnych pokynov.

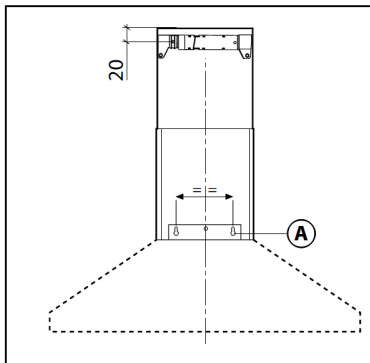
Pre viac informácií o likvidácii, opätovného využitia a recyklácii tohto výrobku, obráťte sa na miestny úrad, domáce zberné služby alebo predajcu, kde bol prístroj zakúpený.

NÁVOD NA MONTÁŽ

- Montáž a elektrické pripojenie musí vykonať špecializovaná osoba.
- Pred pokračovaním v inštalácii používajte ochranné rukavice.
- Elektrické pripojenie:
 - Prístroj bol vyrobený ako trieda II, preto nie je potrebný žiadny uzemňovací kábel. Po inštalácii spotrebiča musí byť prípojný bod ľahko prístupný. Ak je prístroj vybavený napájacím káblom bez zástrčky, musí byť vhodne dimenzovaný omnipolárnym spínačom s 3 mm minimálnym otvorom medzi kontaktmi vloženým medzi spotrebičom a dodávkou elektrickej energie v súlade so zaťažením a s platnými predpismi.
 - Pripojenie k sieti sa vykonáva nasledujúcim spôsobom:
Hnedá = L Živé vedenie
Modré = N Neutrálne vedenie
- Ak je varná doska elektrická, plynová, alebo indukčná, minimálna vzdialenosť medzi varnou doskou a najnižšou časťou odsávača pár musí byť najmenej 65 cm. Ak používate spojovaciu rúrku zloženú z dvoch častí, musí byť horná časť umiestnená mimo spodnej časti. Nepripájajte vývod odsávača pár k rovnakému vodiču, ktorý sa používa na cirkuláciu horúceho vzduchu, alebo na odvádzanie spodín z iných prístrojov ktoré nie sú prevádzkované z elektrických zdrojov. Pred pokračovaním v montáži odstráňte tukové filtre (Obr. 1), čím sa uľahčí manipulácia zariadenia.
 - Ak prístroj montujete v sacej verzii, pripravte otvor pre odvádzanie vzduchu.

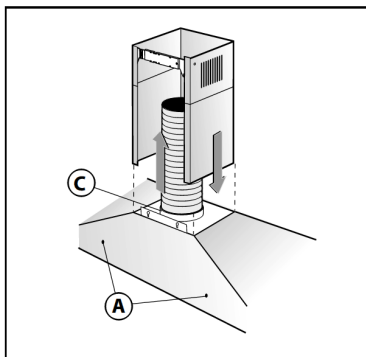


Obr. 1

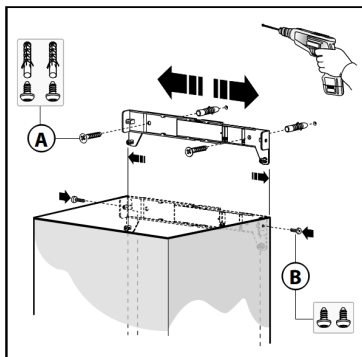


Obr. 2

- Odporúčame používať odťahové potrubie vzduchu, ktoré má rovnaký priemer ako výstupný otvor odpadového vzduchu. Ak sa použije rúra s menším priemerom, môže byť znížená účinnosť výrobku a jeho prevádzka môže spôsobovať viac hluku.
- Ak váš prístroj bol navrhnutý pre použitie v príbytkoch dodávaných s centralizovaným sacím zariadením, vykonajte tieto činnosti:
 - Ovládanie otvára a zatvára ventil pomocou termo elektrického zariadenia. Prepnutím spínača do polohy ON, po minúte sa ventil otvorí otočením sa o 90°, čím umožní nasávanie použitého vzduchu. Prepnutím spínača do polohy OFF, sa ventil uzatvorí po 100 sekundách.
- Pripevnenie na stenu:
Vyrývajte otvory A, udržujte uvedené vzdialenosti (Obr. 2).
Pripevnite spotrebič k stene a vyrovnajte ho do vodorovnej polohy k stenovým jednotkám. Keď je spotrebič nastavený, definitívne pripevnite odsávač pomocou skrutiek A (Obr. 3). V prípade rozličných spôsobov montáže použite skrutky a hmoždinky vhodné pre typ steny (napr železobetón, sadrokartón, atď.).
V prípade, že skrutky a hmoždinky sú súčasťou produktu, skontrolujte, či sú vhodné pre daný typ steny, na ktorý bude odsávač pár pripevnený.



Obr. 3

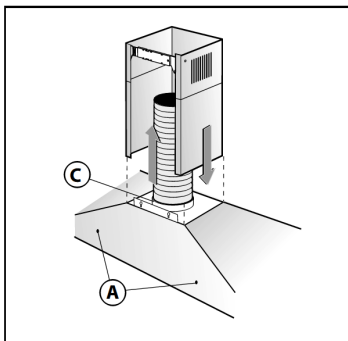


Obr. 4

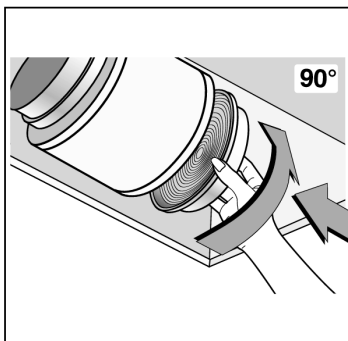
• Upevnenie dekoratívneho teleskopického komína:

Usporiadajte elektrické napájania vo vnútri dekoračného komína. Ak je váš prístroj montovaný vo verzii s odsávaním alebo vo verzii s externým motorom, pripravte otvor pre výstup vzduchu. Nastavte šírku nosnej konzoly horného vývodu (Obr. 4). Potom ho pripevnite k stropu pomocou skrutiek A (Obr. 4) takým spôsobom, aby bol rovnomerný s odsávačom pár a dodržujte vzdialenosť od stropu ako je uvedené na Obr. 2.

Pripojte prírubu C do odsávacieho otvoru s využitím prepojovacieho potrubia (Obr. 5). Vložte horný komín do spodného komína a ostatnú časť nad rám. Zdvihnite horný komín do jeho držiaka a upevnite ho skrutkami B (Obr.4). Ak chcete zmeniť odsávač pár z potrubnej verzie na verziu filtračnú, opýtajte sa svojho predajcu uhlíkových filtrov a postupujte podľa pokynov na inštaláciu.



Obr. 5



Obr. 6

• Verzia filtra:

Nainštalujte odsávač pár a dva vývody, ako je uvedené v odseku pre inštaláciu odsávača pár vo verzii s odťahom. Ak chcete zostaviť filtračný komín, postupujte podľa inštrukcií obsiahnutých v súprave. Ak súprava nie je k dispozícii, môžete ju objednať u svojho predajcu ako príslušenstvo. Filtre musia byť použité na sacej jednotke umiestnenej vo vnútri odsávača. Musí byť v strede, čo dosiahnete otočením o 90 stupňov, až na doraz (Obr. 6).

POUŽÍVANIE ODSÁVAČA PÁR

Ovládacie prvky



Svietidlo



– Stlačte pre zapnutie / vypnutie svetla

Rýchlosť – zvolte otáčky tak, aby vyhovovali podmienkam varenia



Nízke - pomalé pečenie/varenie. Stlačte toto tlačidlo pre spustenie nízkych otáčok, opätovným stlačením vypnete motor.



Stredné- Vyprážanie / varenie vo woku / silné vrenie. Stlačte toto tlačidlo pre spustenie otáčok strednou rýchlosťou, opätovným stlačením vypnete motor.



Vysoké - Grilovanie, intenzívne smaženie a varenie vo woku. Stlačte toto tlačidlo pre spustenie otáčok vysokou rýchlosťou, opätovným stlačením vypnete motor.



Extra (Booster)- Stlačte toto tlačidlo pre spustenie najvyššej rýchlosti, opätovným stlačením vypnete motor.

Funkcia Extra (Booster)*

Odsávač pár má tiež funkciu Extra (Booster). Ak chcete aktivovať funkciu Extra (Booster), stlačte tlačidlo B, keď je odsávač v prevádzke, zvýši tým svoju rýchlosť na 8 minút, následne sa opäť spomalí.

Odporúčame zapnúť odsávač pár na niekoľko minút pred tým, než začnete variť, a potom nechať bežať asi 8 minút po varení, aby ste zabezpečili, že všetky pachy budú odvedené.

Prístroj nesmú používať deti alebo osoby so zníženými fyzickými, zmyslovými alebo duševnými schopnosťami, alebo nedostatkom skúseností a znalostí, pokiaľ nie sú pod dohľadom alebo im neboli poskytnuté inštrukcie.

VAROVANIE - Prístupné časti sa pri použití s kuchynskými spotrebičmi môžu zahriať. Ak chcete osvetliť oblasť varenia pod odsávačom pár, prepnite tlačidlo pre ovládanie svetiel do polohy "ON". Pre vypnutie, znova stlačte tlačidlo pre návrat do polohy „Off“.

Pre ovládanie odsávača pár, stlačte tlačidlo pre požadovanú rýchlosť - zvolte: **1** nízku, **2** strednú, **3** alebo vysokú rýchlosť. Indikátor neónového svetla sa rozsvieti a signalizuje, keď je ventilátor v prevádzke. Pre vypnutie, stlačte tlačidlo "Off".

STAROSTLIVOSŤ A ČISTENIE

Pred čistením alebo údržbou, vypnite prívod elektrickej energie.

Výmena LED žiaroviek

Ak je spotrebič verzie s LED lampami, pre ich výmenu je potrebný zásah špeciálneho technika.

Vonkajší plášť

Všetky vonkajšie časti vonkajšieho plášťa možno bezpečne vyčistiť čistou handričkou vyžmýkanou v horúcej mydlovej vode.

Nepoužívajte žieravé pasty, abrazívne čistiace prášky, drôtenku, tvrdé náradie, alebo akékoľvek výrobky obsahujúce chloridy, pretože poškodzujú povrch.

Škrvny môžu byť odstránené pomocou čističa pre nerezovú oceľ. Odporúčame vyčistiť celú oblasť z nerezovej ocele pre získanie jednotného povrchu.

Ostré predmety môžu poškrabať povrch nerezovej ocele, ale škrabance budú časom menej badateľné.

Ak chcete zachovať vzhľad nerezovej ocele, alebo chcete odstrániť všetky masťné stopy, utrite povrch z nehrdzavejúcej ocele šetrne s minimálnym množstvom detského oleja s kuchynskou papierovou utierkou.

Nepoužívajte jedlé oleje na varenie, pretože môžu obsahovať soľ, ktorá môže poškodiť povrch z nehrdzavejúcej ocele.

Pred čistením alebo údržbou, vypnite prívod elektrickej energie.

Pre zabránenie akémukoľvek riziku požiaru, musia byť dodržané nasledujúce pokyny na čistenie:

Tukové filtre

Tukové filtre absorbujú mastnoty a prach z kuchynských výparov, ktoré by inak poškodili vnútro odsávača.

Tukové filtre by mali byť odstránené a pravidelne vyčistené - pri bežnom používaní, aspoň raz za 2 mesiace.

Na čistenie použite teplú mydlovú vodu, alebo ich umyte v umývačke riadu. Tukový filter po vyčistení môže mierne zmeniť farbu, ale to nemá vplyv na jeho výkon.

Dôležité: Je nevyhnutné časté čistenie pre zabránenie hromadeniu tuku vo filtri, ktoré by sa mohlo spôsobiť nebezpečenstvo požiaru.

1. Vyberte filtre z odsávača.
2. Starostlivo umyte tukový filter v horúcej mydlovej vode a osušte ho čistým uterákom.
3. Namontujte späť čisté filtre.

Uhlíkové filtre (iba modely nainštalovaný pre použitie s metódou recirkulácie)

Tieto filtre s aktívnym uhlím absorbujú pachy vznikajúce pri varení a pri bežnom použití je potrebné ich obnovenie po 6 mesiacoch. Náhradné uhlíkové filtre je možné získať z našej centrály pre Starostlivosť o zákazníkov (podrobnosti nájdete v zadnej časti príručky).

Nасыtienie aktívneho uhlia vo filtri bude závisieť na tom, ako často sa používa odsávač pár, od typu kuchyne a pravidelnosť čistenia tukových filtrov.

Uhlíkové filtre nie je možné čistiť - vymeňte ich každých 6 mesiacov.

TECHNICKÉ ÚDAJE

Dodávky elektriny

220 - 240V ~ 50Hz

Zaradenie do tried

I trieda

Hlučnosť (externé odvzdušnenie)

Plochý odsávač

Booster 72 dBA

Pozícia 3 65 dBA

Pozícia 1 52 dBA

Komínový odsávač pár

Booster 72 dBA

Pozícia 3 65 dBA

Pozícia 1 52 dBA

Žiarovky

2 x 1.5W LED

Motor

250W

Tukové filtre

3 vyberateľné - Hliníkový panel

Poznámka: Po vyčistení tukových filtrov môžu trocha stratiť svoju farbu - to nemá vplyv na ich výkon.

Uhlíkové filtre

2 vyberateľné - k dispozícii ako náhradné diely

Odsávací výkon (externý)

Plochý odsávač

Booster 805.8 m3/H

Pozícia 3 605.7 m3/H

Pozícia 1 280.0 m3/H

Komínový odsávač pár

Booster 805.8 m3/H

Pozícia 3 605.7 m3/H

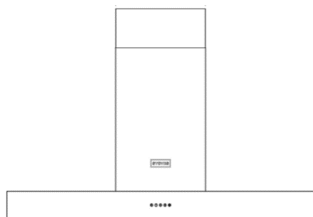
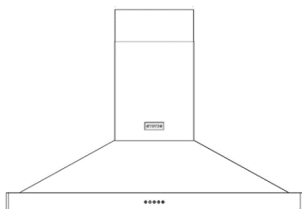
Pozícia 1 280.0 m3/H

STAROSTLIVOSŤ O ZÁKAZNÍKOV STOVE

Country	Contact Address	Contact details
France	Glen Dimplex France ZI petite Montagne Sud 12 rue des Cévennes - Lisses 91017 EVRY cedex FRANCE	Service Number: 01 69 11 11 85 Tel: 00 33 (0)1 69 11 11 91 Fax: 00 33 (0)1 60 86 28 37 direction@glendimplex-france.fr www.glendimplex-france.fr
Holland/ Belgium	Glen Dimplex Benelux B.V. Nederland/Le Pays Bas Saturnus 8 8448 CC Heerenveen Tel: +31 (0) 513-656500 Fax: +31 (0) 513-656501 www.stoves.nl België/Belgique Burgemeester Maenhoutstraat 64 9820 Merelbeke Tel: +32 (0)92100210 Fax: +32 (0)92100212 www.stoves.be	Productregistratie/ Registration de produit www.gdbservice.com Serviceaanvraag/ Demande de service www.stoves.nl / www.stoves.be zie banner 'service' homepagina voir la banniere 'service' sur notre page d'accueil
Germany/ Austria	ELESCO EUROPA GmbH Karl-Wiechert-Allee 74a D-30625 Hannover	Telefon: +49-(0)511-5151 3360 Fax: +49 (0)511 5343 0910 info@elesco-europa.com www.vittoria5steme.de
Poland	OPTIDATA Sp. z o. o., ul. Wielicka 50/5, 30-552 Kraków	+48 12 383 39 30 www.kuchniestoves.pl service.stoves@optidata.pl
Sweden	Lindström & Sondén AB Havsbadsvägen 1 26263 Ängelholm	Tele: 010-1011656 Email: info@lsbolagen.se
Republic of Ireland	Glen Dimplex Ireland, Airport Road, Cloghran, Co. Dublin	Service Telephone No.' (01) 8428222 Service and Spare Parts. serviceireland@glendimplex.com
Other	Glen Dimplex Home Appliances, Stoney Lane, Prescot, Merseyside, L35 2XW	Tel: 0844 815 3740

S T O V E S

STOVES



Stoves napa
Uporabniška navodila

Vsebina

Uvod	2
Varnostni ukrepi	3
Navodila za namestitev	4
Uporaba nape	6
Nega in čiščenje	7
Tehnični podatki	8
Stoves skrb za kupce	9

Uvod

Hvala, da ste kupili to visokokakovostno napo Stoves.

Naše vodilo je konstanten razvoj in izboljšava. Stroga natančnost ilustracij in ilustracij ni zagotovljena. Morda bodo potrebne naknadne spremembe zasnove in materiala.

Preden napravo uporabite prvokrat, odstranite vso embalažo in zaščitni polietilenski film.

Ta naprava je bila ustvarjena za uporabo kot izpušna (sesanje zraka navzven) ali filtrirna (notranje kroženje zraka) napa.

Opomba: Ta naprava ni dobavljena z opremo za kanalno odzračevanje ali ogljikovimi filtri. Podrobnosti za naročanje teh delov se nahajajo na zadnji strani priročnika.

Zaradi zahtevnosti in teže naprave je priporočljivo, da namestitev izvede specializirano osebje.

Proizvajalec zanika vso odgovornost za škodo, povzročeno zaradi napačnega ravnanja ali namestitve.

Prosimo, pazljivo preberite ta priročnik in ga hranite za kasnejšo uporabo.

VARNOSTNI UKREPI

1. Bodite pazljivi, ko napa obratuje hkrati s kaminom ali gorilnikom, ki sta odvisna od zraka v okolici. Napa odstranjuje zrak iz okolice, katerega kamin ali gorilnik potrebuje za izgorevanje. Negativni pritisk v okolici ne sme preseči (4x10⁻⁵ bar). Zagotovite zadostno ventilacijo v okolici za varno delovanje nape. Sledite veljavnim lokalnim zakonom za zunanje sesanje zraka. Preden priključite model na električno omrežje, preglejte ploščico s podatki (ki se nahaja znotraj naprave) in potrdite, da voltaža in moč ustrezata omrežju in vtičnici. Če ste v dvomih, se posvetujte s kvalificiranim tehnikom.

Če je napajalni kabel poškodovan, mora biti zamenjan. Pridobite ga lahko neposredno s strani proizvajalca. Ta naprava mora biti priključena na omrežje s pomočjo priključka, zavarovanega s 3A varovalko ali ožičena na 2-fazni priključek, zaščiten s 3A varovalko.

2. Opozorilo!

V določenih razmerah lahko električne naprave povzročijo nevarnost.

- A) Ne preverjajte stanje filtrov med delovanjem nape.
- B) Ne dotikajte se žarnic ali bližnjih področij, med ali takoj po daljši uporabi razsvetljave.
- C) Flambiranje pod napa je prepovedano.
- D) Izogibajte se odprtemu ognju, saj škodi filtrom in povzroča možnost požara.
- E) Ne puščajte hrane med cvrtjem nenadzorovane, saj pregreto olje lahko povzroči možnost požara.
- F) Izklopite napravo iz elektrike, preden se izvedejo vzdrževalna dela.
- G) Ta naprava ni namenjena uporabi majhnim otrokom ali slabotnim osebam, brez nadzora.
- H) Majhne otroke je treba nadzirati, da se ne igrajo z napravo.
- I) Omogočite primerno ventilacijo prostora, ko je napa v uporabi in obenem naprave, ki izgorevajo plin ali ostala goriva, razen elektrike.
- L) Pride lahko do nevarnosti požara, če čiščenje ni izvedeno v skladu z navodili.

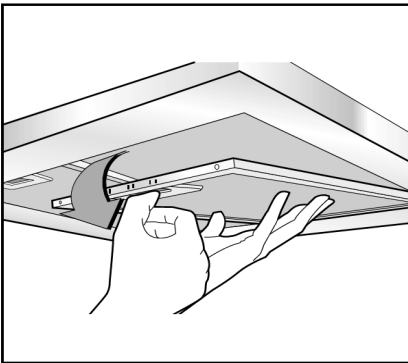
Ta naprava ustreza Evropski direktivi EC/2002/96, (Waste Electrical and Electronic Equipment (WEEE)).

Simbol na izdelku ali na pripadajoči dokumentaciji kaže da z napravo ne smete ravnati kot z gospodinjskimi odpadki, temveč jo je potrebno odstraniti na primerno zbirališče električnih in elektronskih naprav. Za odstranitev odpadkov upoštevajte lokalna vodila.

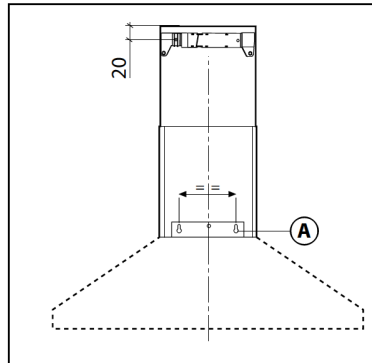
Za več informacij glede rokovanja, ponovne uporabe ali recikliranja izdelka, prosimo kontaktirajte lokalne oblasti, podjetje za odvoz gospodinjskih odpadkov ali prodajalca, kjer je naprava bila kupljena.

NAVODILA ZA NAMESTITEV

- Sestavljanje in električne povezave mora izvesti specializirano osebje.
- Preden se lotite namestitve, nosite zaščitne rokavice.
- Električna povezava:
 - Naprava je izdelana kot razred II, zato ozemljitveni kabel ni potreben. Napajalna točka mora biti lahko dostopna po namestitvi naprave. Če je naprava opremljena z električnim kablom brez vtikača, je potrebno električno omrežje in napravo povezati s primernim večpolarnim stikalom z najmanj 3mm odprtino med kontakti, skladno z obremenitvijo in regulacijo toka.
 - Priključek na omrežje se izvede kot sledi:
RJAVA = L linija
MODRA = N nevtralna
- Če je kuhališče električno, plinsko ali indukcijsko, mora najmanjša razdalja med istim in nižjim delom nape biti vsaj 65 cm. Če je priključna cev sestavljena iz dveh delov, mora zgornji del biti vstavljen izven spodnjega dela. Ne priključujte izpuha kuhinjske nape na isti prevodnik, ki se uporablja za cirkulacijo vročega zraka ali za sesanje hlapov ostalih naprav, ki jih ustvarijo viri, ki niso elektronskega nastanka. Preden se lotite sestavljanja, odstranite protimaščobne filtre (slika 1), tako da je z napravo lažje rokovati.
 - Če sestavljate napravo v sesalni različici, pripravite luknjo za sesanje zraka.

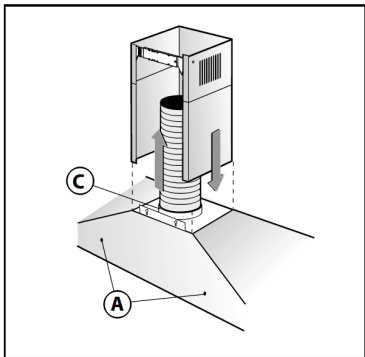


SI.1

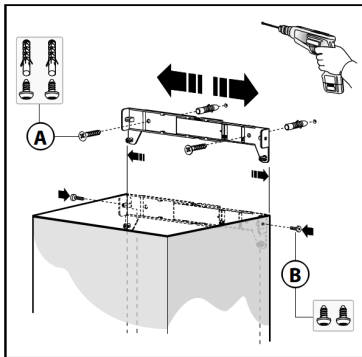


SI.2

- Priporočamo uporabo prezračevalne cevi, ki ima enak premer kot luknja za izpust zraka. Če uporabite cev z manjšim premerom, se učinkovitost izdelka lahko zmanjša in njegovo delovanje lahko postane hrupnejše.
- Če je bila vaša naprava narejena za bivališča s centralno sesalno napravo, opravite naslednje korake:
 - S stikalom nadzorujete odpiranje in zapiranje ventila s pomočjo termo električne naprave. Ko je stikalo v položaju ON, se bo po eni minuti ventil odprl in zavrtel za 90° in tako omogočil sesanje postaneга zraka. S premikom stikala na položaj OFF se ventil zapre po 100 sekundah.
- Pritrjevanje na zid:
 - Izvrтайте luknje A glede na predvidene razdalje (SI.2).
 - Pritrdite napravo na zid in jo poravnajte v horizontalnem položaju glede na zid. Ko napravo prilagodite, pritrdite napo s pomočjo vijakov A (SI.3). Pri različnih namestitvah uporabite vijake in sidrne vijake glede na tip zida (npr. Ojačan beton, mavčne plošče, itd.).
 - Če so vijaki in sidrni vijaki priloženi k izdelku, preverite, ali so primerni za tip zidu, na katerem bo pritrjena napa.



SI.3

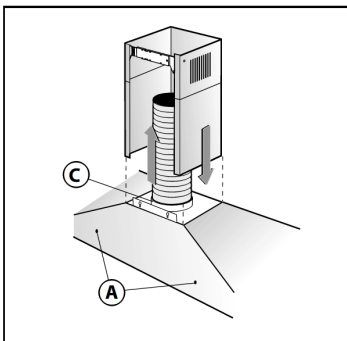


SI.4

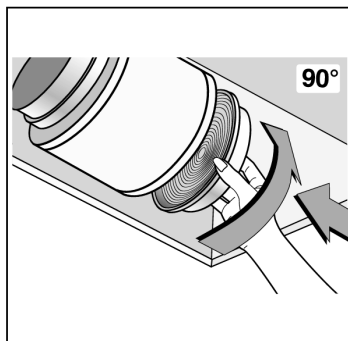
• Pritrjevanje dekorativne teleskopske dimne cevi:

Razvrstite električno napeljavo glede na dimenzije dekorativne dimne cevi. Če bo vaša naprava nameščena v kanalni različici ali v različici z zunanjim motorjem, potem pripravite odprtino za odvajanje zraka. Prilagodite širino podportnega nosilca zgornje dimne cevi (SI.4) tako, da bo poravnana z nabo in predvideno oddaljenostjo od stropa, kot je prikazano na SI.2.

Priključite prirobnico C na izpušno luknjo s pomočjo priključne cevi (SI.5). Vstavite zgornjo dimno cev v nižjo dimno cev in nastavite nad okvir. Izvlecite zgornjo dimno cev do nosilca in jo pritrdite z vijaki B (SI.4). Za spremembo nape iz kanalne različice v filtrirno, se posvetujte s prodajalcem glede ogljikovih filtrov in sledite navodila za namestitvev.



SI.5



SI.6

• Filtrna različica:

Namestite nabo in obe dimni cevi, kot je opisano v odstavku za namestitev nape v kanalni različici. Navodila za sestavljanje filtrirne dimne cevi se nahajajo v priboru. Če pribora ni, ga naročite pri vašem prodajalcu, kot dodatek. Filtri morajo biti nameščeni na sesalno enoto, pozicionirano pod nabo. Namestiti jih je potrebno z obračanjem za 90 stopinj, dokler zatič ne zaskoči (SI.6).

UPORABA NAPE

Kontrole



Lučka



– Pritisnite za prižig/ugasnitev lučke

Hitrost – izberite hitrost, ki ustreza pogojem kuhanja



Nizka - Rahlo cvrtje/kuhanje. Pritisnite ta gumb za nizko hitrost ventilatorja in ponovno, da ugasnete motor.



Srednja - Cvtrtje/kuhanje v woku/močno vretje. Pritisnite ta gumb za srednjo hitrost ventilatorja in ponovno, da ugasnete motor.



Visoka - Pečenje, intenzivno cvrtje in kuhanje v woku. Pritisnite ta gumb za visoko hitrost ventilatorja in ponovno, da ugasnete motor.



Spodbujevalec - Pritisnite ta gumb za najvišjo hitrost ventilatorja in ponovno, da ugasnete motor.

Funkcija spodbujevalca

Ta napa ima tudi funkcijo spodbujevalca. Za aktivacijo te funkcije, pritisnite gumb B, medtem ko je napa v uporabi, kar bo zvišalo hitrost za 8 minut, preden se ponovno upočasni. Priporočamo, da vključite nabo nekaj minut pred začetkom kuhanja in nato pustite nabo prižgano približno 8 minut, da se odstranijo vonjave. Naprave ne smejo uporabljati otroci in osebe z zmanjšanimi fizičnimi, senzoričnimi ali mentalnimi sposobnostmi ali nimajo izkušenj in znanja, razen če so bili podučeni ali so pod nadzorom.

OPOZORILO – Dostopni deli lahko postanejo vroči, ko so v uporabi z napravami za kuhanje. Za osvetlitev kuhalnega dela pod nabo, pritisnite kontrolo za nadzor svetlobe v položaj "on". Za ugasnitev, ponovno pritisnite isti gumb za povratek v položaj "off".

Če želite, da napa prične delovati, pritisnite gumb zelene hitrosti – izberite:

1 nizko, **2** srednjo, ali **3** visoko hitrost. Neonska indikacijska lučka se bo prižgala in pokazala, kdaj deluje ventilator. Za ugasnitev, pritisnite gumb "off".

NEGA IN ČIŠČENJE

Pred čiščenjem ali vzdrževanjem, izključite napravo iz elektrike.

Zamenjava LED žarnic

Če naprava vsebuje LED žarnice, je za njihovo zamenjavo potrebna intervencija specializiranega tehnika

Zunanje ohišje

Vsi zunanji deli se lahko varno očistijo s čisto krpo ožeto v vroči milnici.

Ne uporabljajte ostrih past, abrazivnih čistilnih praškov, žične volne, trdih predmetov, ali izdelkov, ki vsebujejo kloride, saj bodo poškodovali površino.

Trdovratne packe se lahko odstranijo s čistilom iz nerjavečega jekla. Priporočamo vam, da očistite celotno površino nerjavečega jekla, da se ohrani enoten videz.

Ostri predmeti lahko pustijo sledi na površini iz nerjavečega jekla, vendar bodo sledi postale s časom manj opazne. Za ohranitev zaključnega sloja nerjavečega jekla ali za odstranitev vseh mastnih madežev, obrišite površino nerjavečega jekla z minimalno količino otroškega olja in s kuhinjskim papirjem.

Ne uporabljajte jedilnega olja, saj lahko vsebuje sol, ki lahko poškoduje površine iz nerjavečega jekla.

Pred čiščenjem ali vzdrževanjem izključite električno napajanje.

Da bi se izognili nevarnosti požara, sledite naslednjim navodilom za čiščenje:

Protimaščobni filtri

Protimaščobni filtri absorbirajo maščobo in prah iz kuhinjskih hlapov, ki bi sicer poškodovali notranjost nape. Te filtre je potrebno redno odstraniti in očistiti – ob normalni uporabi, vsaka 2 meseca.

Za čiščenje uporabite toplo milnico ali operite v pomivalnem stroju. Protimaščobni filtri lahko malenkostno zamenjajo barvo po pranju, vendar to ne vpliva na njihovo delovanje.

Pomembno: Pogosto pranje je ključno, da se izognete nabiranju masti v filterih, kar lahko povzroči požar..

1. Odstranite filtre iz nape.
2. Previdno operite protimaščobne filtre v vroči milnici in jih osušite s čisto brisačo.
3. Ponovno namestite čiste filtre.

Ogljikovi filtri (samo modeli nameščeni za uporabo metode s ponovno cirkulacijo)

Ogljikovi filtri absorbirajo kuhinjske vonjave in jih je potrebno obnoviti po 6 mesecih uporabe. Zamenjavo the filtrov izvaja naš oddelek za skrb kupcev (podrobnosti na zadnji strani priročnika). Nasičenost aktivnega oglja v filterih je odvisna od frekvence uporabe nape, tipa kuhinje in pogostosti čiščenja protimaščobnega filtra.

Ogljikovih filtrov ni možno oprati – obnavljati vsakih 6 mesecev.

TEHNIČNI PODATKI

Električna napetost

220 - 240V ~ 50Hz

Klasifikacija

Razred I

Stopnja hrupa (Zunanje prezračevanje)

Ravna napa

Spodbujevalec 72 dBA

Položaj 3 65 dBA

Položaj 1 52 dBA

Napa z dimnikom

Spodbujevalec 72 dBA

Položaj 3 65 dBA

Položaj 1 52 dBA

Žarnice

2 x 1.5W LED

Moč motorja

250W

Protimaščobni filtri

3 kosi - Aluminijasti paneli

Opomba: Po čiščenju lahko protimaščobni filtri rahlo izgubijo barvo – to ne vpliva na njihovo delovanje.

Ogljikovi filtri

2 kosa – na voljo kot rezerva

Stopnja vleke (zunanja)

Ravna napa

Spodbujevalec 805.8 m3/H

Položaj 3 605.7 m3/H

Položaj 1 280.0 m3/H

Napa z dimnikom

Spodbujevalec 805.8 m3/H

Položaj 3 605.7 m3/H

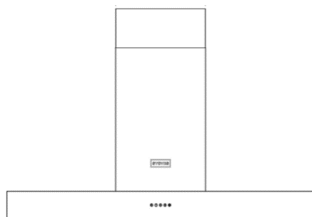
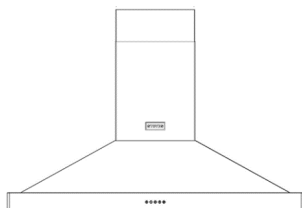
Položaj 1 280. m3/H

STOVES SKRB ZA KUPCE

Country	Contact Address	Contact details
France	Glen Dimplex France ZI petite Montagne Sud 12 rue des Cévennes - Lisses 91017 EVRY cedex FRANCE	Service Number: 01 69 11 11 85 Tel: 00 33 (0)1 69 11 11 91 Fax: 00 33 (0)1 60 86 28 37 direction@glendimplex-france.fr www.glendimplex-france.fr
Holland/ Belgium	Glen Dimplex Benelux B.V. Nederland/Le Pays Bas Saturnus 8 8448 CC Heerenveen Tel: +31 (0) 513-656500 Fax: +31 (0) 513-656501 www.stoves.nl België/Belgique Burgemeester Maenhoutstraat 64 9820 Merelbeke Tel: +32 (0)92100210 Fax: +32 (0)92100212 www.stoves.be	Productregistratie/ Registration de produit www.gdbservice.com Serviceaanvraag/ Demande de service www.stoves.nl / www.stoves.be zie banner 'service' homepagina voir la bannière 'service' sur notre page d'accueil
Germany/ Austria	ELESCO EUROPA GmbH Karl-Wiechert-Allee 74a D-30625 Hannover	Telefon: +49-(0)511-5151 3360 Fax: +49 (0)511 5343 0910 info@elesco-europa.com www.vittoria5sterne.de
Poland	OPTIDATA Sp. z o. o., ul. Wielicka 50/5, 30-552 Kraków	+48 12 383 39 30 www.kuchniestoves.pl service.stoves@optidata.pl
Sweden	Lindström & Sondén AB Havsbadsvägen 1 26263 Ängelholm	Tele: 010-1011656 Email: info@lsbolagen.se
Republic of Ireland	Glen Dimplex Ireland, Airport Road, Cloghran, Co. Dublin	Service Telephone No.' (01) 8428222 Service and Spare Parts. serviceireland@glendimplex.com
Other	Glen Dimplex Home Appliances, Stoney Lane, Prescott, Merseyside, L35 2XW	Tel: 0844 815 3740

S T O V E S

STOVES



Campana de cocina de Stoves Manual del usuario

Índice

Introducción	2
Medidas de seguridad	3
Instalación e instrucciones	4
Uso de la campana	6
Cuidado y limpieza	7
Datos técnicos	8
Atención al cliente de Stoves	9

Introducción

Gracias por la compra de esta campana de alta calidad de Stoves.

Nuestra política está constante desarrollo y mejora. No está garantizada la exactitud estricta de las ilustraciones y especificaciones. Puede ser necesaria la modificación para el diseño y los materiales después de la publicación.

Antes de utilizar el aparato por primera vez, retire todo el embalaje y la película protectora de polietileno.

Este aparato ha sido diseñado para su uso como campana extractora (evacuación del aire al exterior) o de filtrado (reciclado de aire en interiores).

Nota: Este aparato no viene suministrado con un kit de canalización o filtros de carbono. Detalles para ordenar estas piezas se encuentran en la parte posterior del manual.

Debido a la complejidad y el peso del aparato, se recomienda que la instalación se lleve a cabo por personal especializado.

El fabricante declina toda responsabilidad por daños causados por la incorrecta instalación.

Por favor, lea este manual atentamente y consérvelo para consultarlo en el futuro.

PRECAUCIONES DE SEGURIDAD

1. Tenga cuidado cuando la campana esté funcionando simultáneamente con una chimenea o quemador que dependa del aire en el medio ambiente. La campana elimina el aire del medio ambiente que un quemador o chimenea necesita para la combustión.

La presión negativa en el ambiente no debe superar los 4 Pa (4x10⁻⁵ bar). Proporcione una ventilación adecuada en el entorno para una operación segura de la campana. Siga las leyes locales aplicables para la evacuación de aire externo.

Antes de conectar el modelo a la red eléctrica, revise la placa de características (colocada en el interior del aparato) para confirmar que la tensión y la potencia corresponden a la red y el enchufe es adecuado. En caso de duda pregunte a un electricista cualificado.

Si el cable de alimentación está dañado, debe ser reemplazado. Se puede obtener uno directamente desde el fabricante.

Este dispositivo debe estar conectado a la red de suministro ya sea mediante una enchufe 3A de fusible o cableado a un espólón de fase 2 protegido por un fusible 3A.

2. ¡Advertencia!

En determinadas circunstancias, los aparatos eléctricos pueden ser un riesgo de peligro.

- A) No compruebe el estado de los filtros mientras la campana esté funcionando.
- B) No toque las bombillas o áreas adyacentes durante o inmediatamente después de un uso prolongado de la instalación de iluminación.
- C) Cocinar flambeado debajo de la campana está prohibido.
- D) Evite llamas libres ya que es perjudicial para los filtros y puede ser un peligro de incendio.
- E) No deje alimentos friéndose desatendidos, ya que el aceite muy caliente puede llegar a ser un peligro de incendio.
- F) Desconecte la conexión eléctrica antes de realizar cualquier mantenimiento.
- G) Este aparato no está diseñado para ser utilizado por niños o personas enfermas sin supervisión.
- H) Los niños pequeños deben ser supervisados para asegurarse de que no juegan con el aparato.
- I) Debe haber una ventilación adecuada de la habitación cuando se utiliza la campana al mismo tiempo que los aparatos de gas u otros combustibles que no sean eléctricos.
- L) Existe riesgo de incendio si la limpieza no se lleva a cabo de acuerdo con las instrucciones.

Este aparato está conforme a la directiva europea CE/2002/96, de Residuos de Aparatos Eléctricos y Electrónicos (RAEE).

El símbolo en el producto o en la documentación adjunta indica que el aparato no debe ser tratado como basura doméstica, sino que debe ser entregado a un punto de recogida de reciclaje de aparatos eléctricos y electrónicos adecuado.

Siga las normas locales para desechar los residuos.

Para obtener más información sobre el tratamiento, reutilización y reciclaje de este producto, por favor póngase en contacto con las autoridades locales, el servicio de recogida de residuos domésticos o la tienda donde compró el aparato.

INSTRUCCIONES DE INSTALACIÓN

- El montaje y las conexiones eléctricas deben ser realizadas por personal especializado.
- Use guantes de protección antes de proceder con la instalación.
- Conexión eléctrica:
 - El aparato ha sido fabricado con la clase II y, por lo tanto, no es necesario un cable de tierra. El punto de alimentación debe ser fácilmente accesible después de la instalación del aparato. Si el aparato está equipado con un cable de alimentación sin enchufe, un interruptor omnipolar de dimensiones adecuadas con la apertura mínima de 3 mm entre los contactos debe colocarse entre el aparato y la red eléctrica de acuerdo con la carga y la normativa vigente.
 - La conexión a la red eléctrica se lleva a cabo como sigue:
MARRÓN = línea L
AZUL = neutral N.
- Si la cocina es eléctrica, de gas o de inducción, la distancia mínima entre la misma y la parte inferior de la campana debe ser de al menos 65 cm. Si se utiliza un tubo de conexión compuesto de dos partes, la parte superior debe ser colocada fuera de la parte inferior.
No conecte el extractor de la campana con el mismo conductor utilizado para que circule el aire caliente o para la evacuación de humos de otros aparatos que no sean una fuente eléctrica.
Antes de proceder con las operaciones de montaje, quite el filtro/s antigrasa (Figura 1) para que la unidad sea más fácil de manejar.
 - En el caso de montaje del aparato en la versión de succión prepare el agujero para la evacuación del aire.

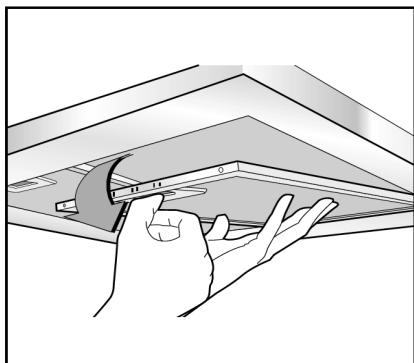


Fig.1

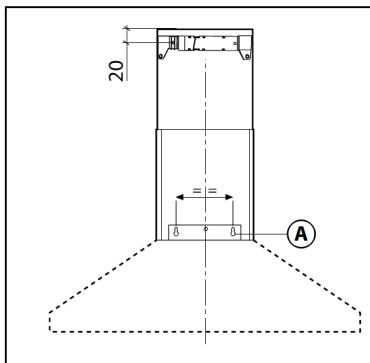


Fig.2

- Se recomienda el uso de un extractor de aire que tenga el mismo diámetro que el orificio de salida de escape de aire. Si se utiliza un tubo con un diámetro más pequeño, la eficiencia del producto puede ser reducida y su funcionamiento puede tener más ruido.
- Si el aparato ha sido diseñado para su uso en viviendas suministradas con un dispositivo de aspiración centralizada, realice las siguientes operaciones:
 - Los controles de interruptores de apertura y cierre de una válvula mediante un dispositivo eléctrico térmico. Al colocar el interruptor en la posición ON, después de un minuto, la válvula se abre girando 90°, lo que permite la succión del aire viciado. Al colocar el interruptor en la posición OFF, la válvula se cierra después de 100 segundos.

- Fijación a la pared:

Perfore los agujeros A respetando las medidas indicadas (Fig.2).

Fije el aparato a la pared y alinéelo en posición horizontal para las unidades de pared. Cuando el aparato se ha ajustado, definitivamente fije la campana con los tornillos A (Fig.3). Para las diversas instalaciones utilice tornillos y anclajes adecuados al tipo de pared (por ejemplo, hormigón armado, placas de yeso, etc.).

Si los tornillos y tacos se proporcionan con el producto, compruebe que son adecuados para el tipo de pared en la que la campana debe ser fijada.

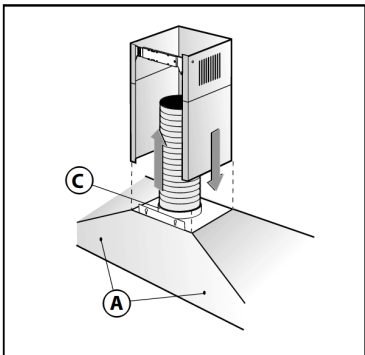


Fig.3

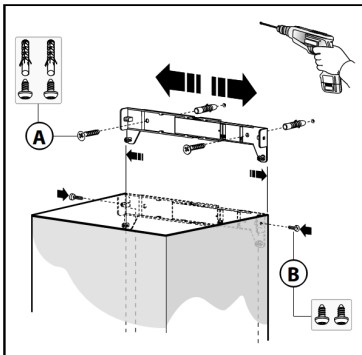


Fig.4

- Fijación del tubo decorativo telescópico:

Organice el suministro de energía eléctrica dentro de las dimensiones del tubo decorativo. Si el aparato se va a instalar en la versión de conductos o en la versión con motor externo, prepare la abertura de escape de aire. Ajuste el ancho de la ménsula de soporte del tubo superior (Fig.4). Luego fíjela al techo usando los tornillos A (figura 4), de tal manera que estén en línea con su campana y respetando la distancia del techo que se indica en la figura 2.

Conecte la brida C al orificio de salida de aire mediante un tubo de conexión (figura 5). Inserte el tubo superior en el tubo inferior y el resto por encima del marco. Extraiga el tubo superior hasta el soporte y fíjelo con los tornillos B (Figura 4). Para transformar la campana de una versión de conductos en una versión de filtro, pregunte a su distribuidor para los filtros de carbón y siga las instrucciones de instalación.

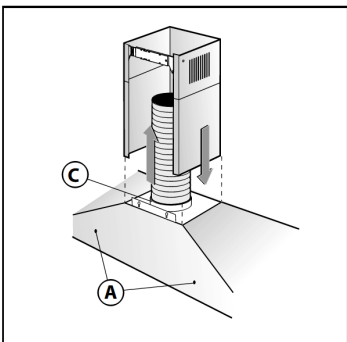


Fig.5

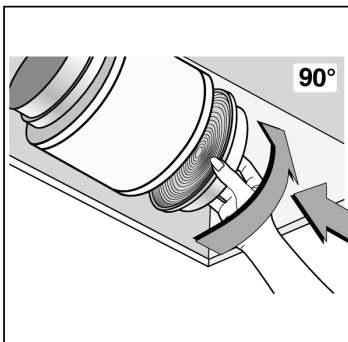


Fig.6

- Versión de filtrado:

Instale la campana y los dos tubos como se describe en el párrafo para la instalación de la campana en la versión de conductos. Para montar el tubo de filtrado consulte las instrucciones contenidas en el kit. Si no se proporciona el kit, solicítelo a su distribuidor como accesorio. Los filtros deben ser aplicados a la unidad de aspiración colocados dentro de la campana. Deben estar centrados girándolos 90 grados hasta que la muesca de bloqueo se activa (figura 6).

USO DE LA CAMPANA

Controles



Lámpara



– Presione para encender/apagar la luz

Velocidad –seleccione la velocidad a las condiciones de cocción



Bajo - Freír/cocer. Presione este botón para activar la velocidad baja y presiónelo de nuevo para apagar el motor



Medio- Freír/cocinar en wok/cocer a fuego rápido. Presione este botón para activar a velocidad media y presiónelo de nuevo para apagar el motor



Alto - Grilling, intensive frying and wok cooking. Presione este botón para activar la velocidad alta y presiónelo de nuevo para apagar el motor



Potenciador - Presione este botón para entrar en la velocidad más alta y presiónelo de nuevo para apagar el motor.

Función de potenciador

Esta campana también tiene una función de potenciador. Para activar el potenciador, presione el botón B mientras la campana está en uso y aumentará la velocidad durante 8 minutos, antes de frenar de nuevo. Le recomendamos que active la campana durante unos minutos antes de empezar a cocinar, y luego déjela funcionando durante aproximadamente 8 minutos después de asegurar que todos los olores se han extraído. El aparato no debe ser utilizado por niños o personas con capacidades físicas, sensoriales o mentales, o la falta de experiencia y conocimiento, a menos que hayan recibido supervisión o instrucciones.

ADVERTENCIA - Las partes accesibles pueden calentarse cuando se utiliza con aparatos de cocina Para iluminar la zona de cocción debajo de la campana, presione el botón de control de la luz en la posición "on". Para apagarlo, pulse de nuevo para volver a la posición de "off".

Para hacer funcionar la campana, pulse el botón correspondiente a la velocidad requerida - seleccione: **1** baja, **2** media o **3** velocidad alta. El indicador luminoso de neón se encenderá para mostrar cuándo el ventilador está en funcionamiento. Para apagarlo, presione el botón "off".

CUIDADO Y LIMPIEZA

Antes de la limpieza o mantenimiento, apague el suministro eléctrico.

Sustitución de las luces LED

Si la versión del aparato es con las lámparas LED, es necesario que las sustituya un técnico especializado

Carcasa externa

Todas las partes externas de la carcasa exterior se pueden limpiar de forma segura con un paño limpio y escurrido en agua jabonosa caliente.

No use pastas cáusticas, polvos de limpieza abrasivos, lana de acero, implementos duros o cualquier producto que contenga cloruros, ya que pueden dañar las superficies.

Las manchas difíciles se pueden eliminar con un limpiador para acero inoxidable. Le recomendamos que limpie toda el área de acero inoxidable para mantener un acabado uniforme.

Los objetos afilados pueden marcar la superficie de acero inoxidable, pero las marcas serán menos notables con el tiempo.

Para mantener el acabado de acero inoxidable o eliminar cualquier marca de grasa, limpie la superficie de acero inoxidable con moderación con una cantidad mínima de aceite para bebés y papel de cocina.

No utilice aceites de cocina, ya que pueden contener sal, lo que puede dañar la superficie de acero inoxidable.

Antes de la limpieza o mantenimiento, apague el suministro eléctrico.

Para evitar cualquier riesgo de incendio, se deben seguir las siguientes instrucciones de limpieza:

Filtros de grasa

Los filtros de grasa absorben la grasa y el polvo de humos de cocina, que de otro modo dañarían el interior de la campana.

Los filtros de grasa deben retirarse y limpiarse con regularidad - con el uso normal, esto debe ser cada 2 meses.

Para limpiar, utilice agua tibia y jabón, o lave en el lavavajillas. Los filtros de grasa pueden cambiar ligeramente de color tras el lavado; sin embargo, esto no afecta a su rendimiento.

Importante: El lavado frecuente es esencial para prevenir la acumulación de grasa en los filtros, lo que podría convertirse en un peligro de incendio.

1. Retire los filtros de la campana.
2. Lave cuidadosamente los filtros de grasa en agua caliente con jabón y seque con una toalla limpia.
3. Vuelva a colocar los filtros limpios.

Filtros de carbón (modelos instalados para su uso solamente con el método de re-circulación)

Los filtros de carbono absorben los olores de la cocina y es necesario renovarlos después de aproximadamente 6 meses de uso normal. Los filtros de carbón de reemplazo se pueden obtener de nuestro servicio de atención al cliente (detalles en la parte trasera del manual).

La saturación del carbón activado en el filtro dependerá de la frecuencia de uso de la campana, el tipo de cocina y la regularidad de la limpieza del filtro de grasa.

Los filtros de carbón no se pueden lavar - renovar cada 6 meses.

DATOS TÉCNICOS

Suministro de electricidad

220 - 240V ~ 50Hz

Clasificación

Clase I

Nivel de ruido (ventilación externa)

Campana plana

Potenciador 72 dBA

Posición 3 65 dBA

Posición 1 52 dBA

Campana de chimenea

Potenciador 72 dBA

Posición 3 65 dBA

Posición 1 52 dBA

Bombillas

2 x 1,5 W LED

Clasificación del motor

250W

Filtros de grasa

3 Off - Panel de aluminio

Nota: Después de la limpieza, los filtros de grasa pueden perder su color ligeramente - esto no afecta a su rendimiento.

Filtros de carbón

2 Off - Disponibles como repuestos

Tasa de extracción (externa)

Campana plana

Potenciador 805,8 m3/H

Posición 3 605,7 m3/H

Posición 1 280,0 m3/H

Campana de chimenea

Potenciador 805,8 m3/H

Posición 3 605,7 m3/H

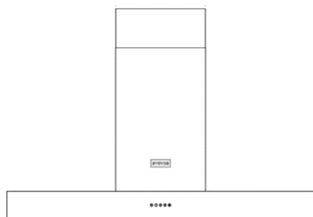
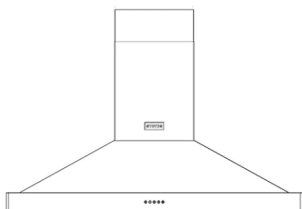
Posición 1 280,0 m3/H

ATENCIÓN AL CLIENTE DE STOVES

Country	Contact Address	Contact details
France	Glen Dimplex France ZI petite Montagne Sud 12 rue des Cévennes - Lisses 91017 EVRY cedex FRANCE	Service Number: 01 69 11 11 85 Tel: 00 33 (0)1 69 11 11 91 Fax: 00 33 (0)1 60 86 28 37 direction@glendimplex-france.fr www.glendimplex-france.fr
Holland/ Belgium	Glen Dimplex Benelux B.V. Nederland/Le Pays Bas Saturnus 8 8448 CC Heerenveen Tel: +31 (0) 513-656500 Fax: +31 (0) 513-656501 www.stoves.nl België/Belgique Burgemeester Maenhoutstraat 64 9820 Merelbeke Tel: +32 (0)92100210 Fax: +32 (0)92100212 www.stoves.be	Productregistratie/ Registration de produit www.gdbservice.com Serviceaanvraag/ Demande de service www.stoves.nl / www.stoves.be zie banner 'service' homepagina voir la bannière 'service' sur notre page d'accueil
Germany/ Austria	ELESCO EUROPA GmbH Karl-Wiechert-Allee 74a D-30625 Hannover	Telefon: +49-(0)511-5151 3360 Fax: +49 (0)511 5343 0910 info@elesco-europa.com www.vittoria5sterne.de
Poland	OPTIDATA Sp. z o. o., ul. Wielicka 50/5, 30-552 Kraków	+48 12 383 39 30 www.kuchniestoves.pl service.stoves@optidata.pl
Sweden	Lindström & Sondén AB Havsbadsvägen 1 26263 Ängelholm	Tele: 010-1011656 Email: info@lsbolagen.se
Republic of Ireland	Glen Dimplex Ireland, Airport Road, Cloghran, Co. Dublin	Service Telephone No.: (01) 8428222 Service and Spare Parts. serviceireland@glendimplex.com
Other	Glen Dimplex Home Appliances, Stoney Lane, Prescot, Merseyside, L35 2XW	Tel: 0844 815 3740

S T O V E S

STOVES



**Stoves K kspisfl kt
Bruksanvisning**

Innehållsförteckning

Inledning	2
Säkerhetsåtgärder	3
Installationsanvisningar.	4
Att använda fläkten.	6
Skötsel och rengöring.	7
Teknisk Data	8
Stoves kundtjänst	9

Introduktion

Tack för att du har köpt denna fläkt av hög kvalitet från Stoves.

Vi har som policy att ständigt utvecklas och förbättras. Noggrannhet av illustrationer och specifikationer garanteras inte. Ändring av design och material kan vara nödvändigt efter publicering.

Innan man använder apparaten för första gången ska all förpackning och polyetenfilm tas bort.

Denna apparat har utformats för att användas som en uttömmande (lufttömning till utsidan) eller filtrering (inomhus luftåteranvändning) fläkt.

Observera: Denna apparat levereras inte med kanalsystem eller kolfilter. Information för att beställa dessa delar finns på baksidan av bruksanvisningen.

På grund av apparatens komplexitet och vikt rekommenderas det att installationen utförs av fackspecialister.

Tillverkaren avskriver sig allt ansvar för skador som orsakats av felaktig användning eller installation.

Vänligen läs denna bruksanvisning noggrant och spara den för framtida bruk.

SÄKERHETSÅTGÄRDER

1. Var försiktig när fläkten är i drift samtidigt med en kamin eller brännare som är beroende av luften i miljön. Spiskåpan tar bort luften från omgivningen som en brännare eller kaminen behöver för förbränningen.

Det negativa trycket i miljön får inte överstiga 4PA (4x10⁻⁵ bar). Se till att det finns god ventilation i omgivningen för en säker drift av fläkten. Följ de lokala lagarna som finns för extern lufttömning.

Innan du ansluter modellen till elnätet ska du vänligen kontrollera typskylten (som är placerad inuti apparaten) för att bekräfta att spänningen och strömmen motsvarar nätverket och att uttaget är lämpligt.

Om du är osäker ska du fråga en behörig elektriker. Om strömförsörjningskabeln är skadat måste den bytas ut. Den kan fås direkt från tillverkaren. Denna apparat måste vara ansluten till elnätet, antingen genom en propp på 3A eller kabelanslutningen till ett 2-fas spår som är skyddat av en 3A säkring.

2. Varning!

Under vissa omständigheter kan elektriska apparater vara en riskfara.

A) Kontrollera inte filters status när fläkten är i drift.

B) Rör inte glödlampor eller angränsande områden under eller direkt efter långvarig användning av belysningsanläggningen.

C) Flambering är förbjuden under fläkten.

D) Undvik öppen låga, eftersom det är skadligt för filter och en brandrisk.

E) Lämna inte mat under stekning oöväskad eftersom överhettad olja kan bli en brandrisk.

F) Koppla ifrån den elektriska anslutningen innan något underhållsarbete.

G) Denna apparat är inte avsedd för att användas av barn eller handikappade utan övervakning.

H) Små barn bör hållas under uppsikt så att de inte leker med apparaten.

I) Det ska finnas tillräckligt med ventilation i rummet när fläkten används samtidigt som anordningar för förbränning av gas eller annan bränsle än elektriska.

L) Det finns risk för brand om rengöring inte genomförs i enlighet med anvisningarna.

Denna apparat uppfyller det europeiska direktivet 2002/96/EG, avfall av elektriska och elektroniska produkter (WEEE).

Symbolen på produkten eller på de medföljande dokumenten visar att apparaten inte ska behandlas som hushållsavfall, utan ska levereras till en lämplig återvinningsstation för elektriska och elektroniska apparater.

Följ lokala riktlinjer vid bortskaflande av avfall.

För mer information om behandling, återanvändning och återvinning av denna produkt, kontakta din kommun, lokala återvinningsstationer eller återförsäljaren där produkten köptes.

INSTALLATIONSANVISNINGAR

- Montering och elektriska anslutningar måste utföras av fackutbildad personal.
- Bär skyddshandskar innan du fortsätter med installationen.
- elektrisk anslutning:
 - Apparaten har tillverkats som en klass II, därför är ingen jordkabel nödvändig. Effektpunkten måste vara lättåtkomlig efter installationen av apparaten. Om apparaten är försedd med nätkabel utan stickkontakt, måste en lämplig dimensionerad flerpolsbrytare med 3 mm minimiöppning monteras mellan kontaktarna mellan apparaten och elnätet i enlighet med laddningen och gällande föreskrifter.
 - Anslutningen till elnätet utförs på följande sätt:

BRUN = L ledning

BLÅ = N neutral

- Om hällen är el, gas, eller induktion, måste det minsta avståndet mellan den och den nedre delen av fläkten vara minst 65 cm. Om ett anslutningsrör som består av två delar används, måste den övre delen placeras utanför den undre delen. Anslut inte fläktens uttömmare till samma rör som används för att cirkulera varm luft eller för att evakuera rök från andra apparater som inte använder elektrisk källa. Innan du går vidare med monteringen ska du ta bort anti-fettfiltret (s) (Figur 1) så att apparaten är lättare att hantera.
- När det gäller montering av apparaten i insugningsversionen ska du förbereda hålet för uttömning av luften.

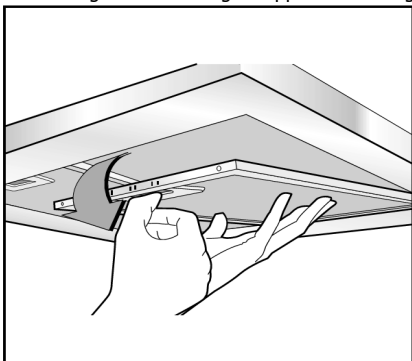


Fig.1

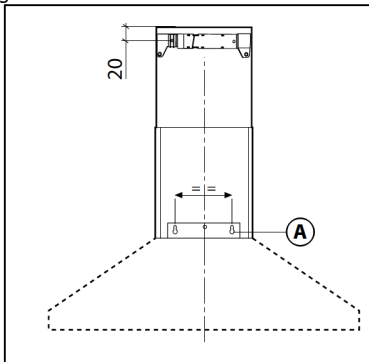


Fig.2

- Vi rekommenderar användning av ett luftutblåsningsrör som har samma diameter som luftavgasutloppshålet. Om ett rör med en mindre diameter används, kan effektiviteten hos produkten reduceras och dess funktion kan bli bullrigare.

- Om din apparat har utformats för att användas i bostäder som har en centraliserad suganordning ska du utföra följande åtgärder
 - Omkopplaren kontrollerar öppning och stängning av en ventil med hjälp av en termoelektrisk apparat. Genom att sätta omkopplaren på PÅ, kommer ventilen efter en minut att öppnas och rotera 90° och möjliggör då insugning av den unka luften. Genom att sätta omkopplaren på AV stängs ventilen efter 100 sekunder.

- Fastsättning på väggen:

Borra hålen A och tänk på avstånden som anges (bild 2).

Fäst apparaten på väggen och rikta in den i horisontellt läge till väggskåpen. När apparaten har justerats, fäst fläkten med skruvarna A (fig. 3). För de olika installationerna ska du använda skruvar och skruvankare som är anpassade till väggtypen (t.ex. armerad betong, gips, etc.). Om skruvarna och skruvankarna tillhandahålls med produkten ska du kontrollera att de är lämpliga för väggtypen där fläkten kommer att fästas.

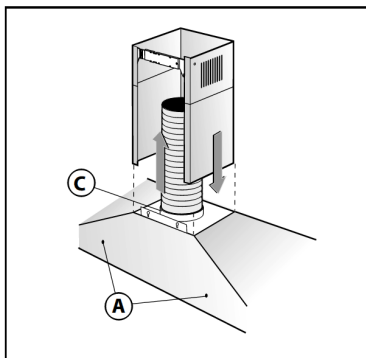


Fig.3

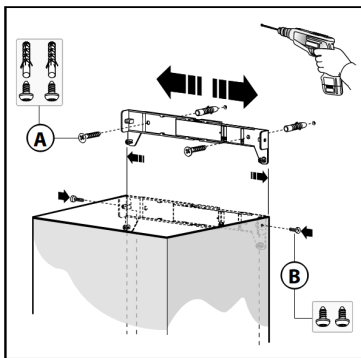


Fig.4

• Fästa den dekorativa teleskopiska rökkanalen:

Ordna strömtillförseln inom dimensionerna av den dekorativa rökkanalen. Om din apparat ska installeras i kanalversionen eller i versionen med extern motor ska du förbereda luftutsläppsöppningen. Justera bredden på stödfästet på den övre rökkanalen (fig. 4). Fäst den sedan i taket med hjälp av skruvarna A (fig. 4) på ett sådant sätt att det är i linje med din fläkt och enligt avståndet från taket som anges i figur 2.

Anslut flänsen C till uttömningshålet med ett anslutningsrör (fig. 5). Sätt den övre rökkanalen i den undre rökkanalen och sätt den över ramen. Dra ut den övre rökkanalen upp till fästet och fäst den med skruvarna B (fig. 4). För att omvandla fläkten från en kanalversion till en filtreringsversion. Be din återförsäljare för kolfilter och följ installationsanvisningarna.

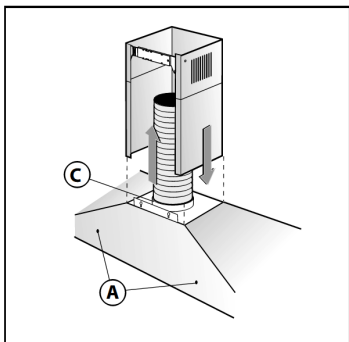


Fig.5

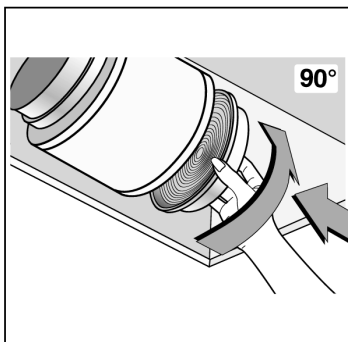


Fig.6

• Filtreringsversion:

Installera fläkten och de två rökkanaler enligt beskrivningen i stycket för installation av fläkten i kanalversion. För att montera filtreringsrökkanalen ska du se anvisningarna som finns i utrustningen. Om utrustningen inte tillhandahålls ska du beställa det från din återförsäljare som tillbehör. Filtren måste sättas på insugningsenheten som är placerad inuti fläkten. De måste centreras genom att vrida dem 90 grader tills stoppspärren utlöses (Fig.6).

ATT ANVÄNDA FLÄKTEN

Kontroller



Lampa



– Tryck för att slå på/av ljuset

Hastighet – välj hastighet för att anpassa till matlagingsförhållandena



Låg - Lätt stekning/kokning. Tryck på denna knapp för att sätta på låg hastighet och tryck igen för att stänga av motorn.



Medium - Stekning/wok matlagning/stark kokning. Tryck på denna knapp för att sätta på medium hastighet och tryck igen för att stänga av motorn.



Hög - Grillning, intensive stekning och wok matlagning. Tryck på denna knapp för att sätta på hög hastighet och tryck igen för att stänga av motorn.



Booster - Tryck på denna knapp för att sätta på den högsta hastigheten och tryck igen för att stänga av motorn.

Booster funktion

Denna fläkt har också en booster funktion. För att aktivera boostern ska du trycka på knapp B medan fläkten används och hastigheten kommer att öka i 8 minuter, innan den saktar ner igen.

Vi rekommenderar att du sätter på fläkten i några minuter innan du börjar laga mat, och sedan låter den vara på i cirka 8 minuter efter för att se till att alla lukter har extraherats.

Apparaten ska inte användas av barn eller personer med nedsatt fysisk, sensorisk eller mental förmåga, eller brist på erfarenhet och kunskap, såvida de inte har fått handledning eller anvisning.

VARNING - Åtkomliga delar kan bli varma när de används med matlagingsapparater. För att belysa spishällen under fläkten ska du trycka på lampknappen till "på" -läget. För att stänga av ska du återigen trycka på knappen för att återgå till "off" -läget.

För att använda fläkten ska du trycka på knappen för den önskade hastigheten - välj: **1** låg, **2** medium, eller **3** hög hastighet. Neonindikatorlampan kommer att lysa upp för att visa att fläkten är igång. För att stänga av ska du trycka på "av" knappen.

SKÖTSEL & RENGÖRING

Innan rengöring och underhåll ska strömförsörjningen stängas av.

Byta ut LED-lamporna

Om denna fläkt är med LED-lampor behövs en specialistechniker för att byta ut dem,

Yttre hölje

Alla externa delar på det yttre höljet kan rengöras på säkert sätt med en ren trasa urvriden i varmt såpvatten. Använd inte frätande pastor, skurpulver, stålull, hårda redskap, eller produkter som innehåller klorider eftersom de skadar ytorna.

Envisa märken kan tas bort med ett rengöringsmedel för rostfritt stål. Vi rekommenderar att du rengör hela området av rostfritt stål för att hålla en jämn finish.

Skarpa föremål kan markera ytan av rostfritt stål, men märkena kommer att bli mindre märkbara med tiden. För att bibehålla finishen i rostfritt stål, eller för att avlägsna eventuella fettmärken ska du torka av rostfria stálytan sparsamt med ett minimum av babyolja och hushållspapper.

Använd inte matolja, eftersom dessa kan innehålla salt, vilket kan skada den rostfria ytan. Innan rengöring eller underhåll ska strömförsörjningen stängas av.

För att undvika brandrisk ska de följande rengöringsanvisningarna följas:

Fettfilter

Fettfiltren absorberar fett och damm från matos, som annars skulle skada insidan av fläkten.

Fettfiltren ska tas bort och rengöras regelbundet - vid normal användning, bör detta vara varje 2 månader.

För att rengöra dem ska varmt såpvatten användas eller tvätta dem i en diskmaskin. Fettfiltren kan lätt ändra färg efter tvätt, men detta påverkar inte deras prestanda.

Viktigt: Ofta förekommande tvätt är viktigt för att förebygga en ansamling av fett i filtren som kan bli en brandrisk.

1. Ta bort filtrena från fläkten.
2. Tvätta fettfiltrena försiktigt i varmt såpvatten och torka dem med en ren trasa.
3. Sätt tillbaka de rena filtrena.

Kolfilter (modeller installerade för användning med recirkulationsmetoden endast)

Kolfiltren absorberar matlagningsslukterna och behöver bytas ut efter cirka 6 månaders normal användning.

Ersättningskolfilter kan fås av vår kundtjänst (uppgifter står på baksidan av bruksanvisningen).

Mättnad av det aktiva kolet i filtret kommer att bero på hur ofta fläkten används, vad det är för typ av kök och hur regelbundet fettfiltret rengörs. Kolfiltret kan inte tvättas- byt ut det var sjätte månad.

TEKNISK DATA

Strömförsörjning

220 - 240V ~ 50Hz

Klassificering

Klass I

Ljudnivå (Extern Avluftning)

Platt fläkt

Booster	72 dBA
Position 3	65 dBA
Position 1	52 dBA

Skorstensfläkt

Booster	72 dBA
Position 3	65 dBA
Position 1	52 dBA

Glödlampor

2 x 1,5W LED

Motorgrad

250W

Fettfilter

3 Av - Aluminiumpanel

Observera: Efter rengöring kan fettfilter förlora sin färg en aning- detta påverkar inte deras prestanda.

Kolfilter

2 Av – Finns som reservdelar

Extraktionsgrad (Extern)

Platt fläkt

Booster	805,8 m3/H
Position 3	605,7 m3/H
Position 1	280,0 m3/H

Skorstensfläkt

Booster	805,8 m3/H
Position 3	605,7 m3/H
Position 1	280,0 m3/H

STOVES KUNDTJÄNST

Country	Contact Address	Contact details
France	Glen Dimplex France ZI petite Montagne Sud 12 rue des Cévennes - Lisses 91017 EVRY cedex FRANCE	Service Number: 01 69 11 11 85 Tel: 00 33 (0)1 69 11 11 91 Fax: 00 33 (0)1 60 86 28 37 direction@glendimplex-france.fr www.glendimplex-france.fr
Holland/ Belgium	Glen Dimplex Benelux B.V. Nederland/Le Pays Bas Saturnus 8 8448 CC Heerenveen Tel: +31 (0) 513-656500 Fax: +31 (0) 513-656501 www.stoves.nl België/Belgique Burgemeester Maenhautstraat 64 9820 Merelbeke Tel: +32 (0)92100210 Fax: +32 (0)92100212 www.stoves.be	Productregistratie/ Registration de produit www.gdbservice.com Serviceaanvraag/ Demande de service www.stoves.nl / www.stoves.be zie banner 'service' homepagina voir la banniere 'service' sur notre page d'accueil
Germany/ Austria	ELESCO EUROPA GmbH Karl-Wiechert-Allee 74a D-30625 Hannover	Telefon: +49-(0)511-5151 3360 Fax: +49 (0)511 5343 0910 info@elesco-europa.com www.vittoria5sterne.de
Poland	OPTIDATA Sp. z o. o., ul. Wielicka 50/5, 30-552 Kraków	+48 12 383 39 30 www.kuchniestoves.pl service.stoves@optidata.pl
Sweden	Lindström & Sondén AB Havsbadvägen 1 26263 Ängelholm	Tele: 010-1011656 Email: info@lsbolagen.se
Republic of Ireland	Glen Dimplex Ireland, Airport Road, Cloghran, Co. Dublin	Service Telephone No.: (01) 8428222 Service and Spare Parts. serviceireland@glendimplex.com
Other	Glen Dimplex Home Appliances, Stoney Lane, Prescot, Merseyside, L35 2XW	Tel: 0844 815 3740

S T O V E S

